

# EB100-MTU

Intel Core Ultra Processor  
Fanless Embedded System



## KEY FEATURES



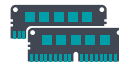
### Meteor Lake

Intel Core Ultra5/ Ultra7 Processor



### Dual Displays

2 HDMI



### Two memory SODIMM

2 DDR5 SODIMM up to 64GB



### Small Size

111mm(W) x 106mm(D) x 49.5mm(H)

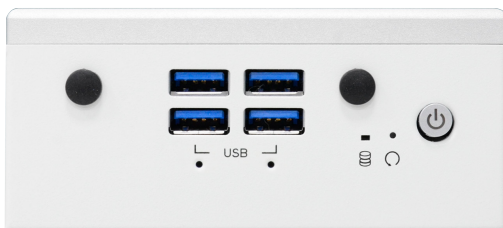


### Rich I/O

up to 2 LAN, 4 USB, 2 COM



## PANEL



**Front View**  
(4 USB 3.2 Gen2x1)

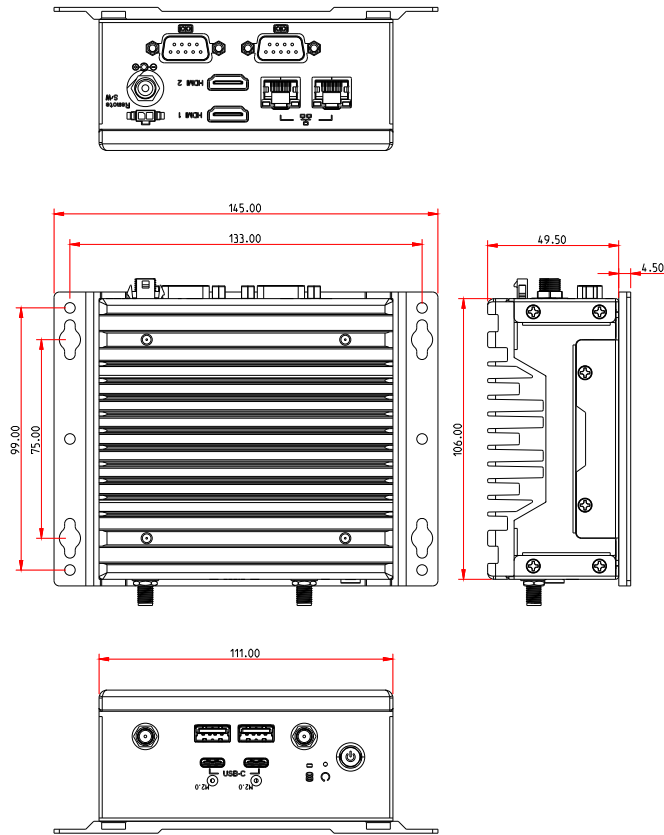


**Rear View**

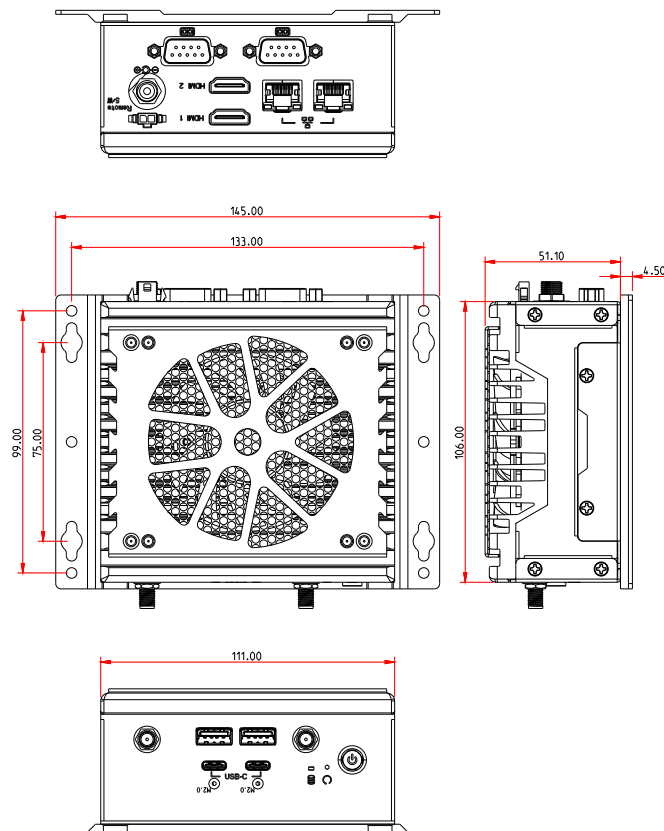


**Front View**  
(2 USB 3.2 Gen2x1, 2 USB-C)

**DIMENSIONS-Fanless**



**DIMENSIONS-With Fan**



## SPECIFICATION

SYSTEM	Processor	Intel® Core™ Ultra Processor (Meteor Lake: U-series) <ul style="list-style-type: none"> <li>for Fanless Intel® Core™ Ultra 7 155U (2 P-Cores x 1.7 GHz, 8 E-Cores x 1.2 GHz, 12 MB cache, 12W) Intel® Core™ Ultra 5 125U (2 P-Cores x 1.3 GHz, 8 E-Cores x 0.8 GHz, 12 MB cache, 12W)</li> <li>for w/Fan Intel® Core™ Ultra 7 155U (2 P-Cores x 1.7 GHz, 8 E-Cores x 1.2 GHz, 12 MB cache, 28W) Intel® Core™ Ultra 5 125U (2 P-Cores x 1.3 GHz, 8 E-Cores x 0.8 GHz, 12 MB cache, 28W)</li> </ul>	
	Memory	2x 262-pin SODIMM up to 64GB Dual Channel DDR5 4800MHz	
	BIOS	AMI SPI 256Mbit	
GRAPHICS	Controller	Intel® Graphics (Xe-core)	
	Feature	DX12, Open GL 4.6, Vulkan 1.2 (Windows) Mesa 3D, Open GL 4.6, Vulkan 1.2 (Linux) HW Decode : 4K60 8b 4:2:0 AVC HW Encode : 4K60 10b 4:4:4 HEVC/VP9/SCC 4K60 8b 4:2:0 AVC	
	Display	1 x HDMI1.4b 1 x HDMI2.1	resolution HDMI1.4b: up to 4096x2160@24Hz HDMI2.1: up to 4060x2160@120Hz or 7680x4320@60Hz
	Dual Displays	2 HDMI	
STORAGE	Internal	1 x M.2 2280 M key (PCIe x4)	
EXPANSION	Interface	1 x M.2 2230 E Key (PCIe/USB2.0)	
ETHERNET	Controller	2 x Intel® I226IT	
LED	Indicators	1 x Power LED 1 x Storage LED	
FRONT I/O	USB	4 x USB3.2(Gen2x1) or 2 x USB3.2(Gen2x1) & 2 x USB-C(support DP Alt. Mode)	
	Buttons	1 x Power button 1 x Reset button	
REAR I/O	Serial	1 x RS232/422/485 (default RS232, BIOS selectable) 1 x RS232/8bit DIO (default RS232, BIOS selectable)	
	Display	1 x HDMI1.4b 1 x HDMI2.1	
	Ethernet	2 x Intel® I226IT (10/100/1000/2500Mbps)	
WATCHDOG TIMER	Output & Interval	System Reset, Programmable via Software from 1 to 255 Seconds	
POWER	Voltage	DC 12V	
	Connector	DC Jack (5.5 x 2.5 mm)	
OS SUPPORT	OS Support	Windows 10 IoT Enterprise 64-bit Windows 11	
ENVIRONMENT	Operating Temperature	<ul style="list-style-type: none"> <li>Fanless(CPU TDP 12): -20 to 50°C (wide-temp M.2 SSD)</li> <li>W/Fan(CPU TDP 28W): -20 to 70°C (wide-temp M.2 SSD)</li> </ul>	
	Storage Temperature	-20 to 85°C	
	Relative Humidity	5 to 95% RH (non-condensing)	
MECHANISM	Construction	Aluminum + Metal Aluminum	
	Mounting	Wall/VESA rail mount	
	Dimensions (W x H x D)	<ul style="list-style-type: none"> <li>Fanless:111mm x 49.5mm x 106mm</li> <li>w/Fan:111mm x 51.1mm x 106mm</li> </ul>	
	Weight	TBD	
STANDARDS AND CERTIFICATIONS	Shock	Operating: IEC 60068-2-27 Test Ea: Shock Test Half-Sine, 3G @ 11ms, 18 Shock ±X, ±Y, ±Z (each axis 3 times)	
	Vibration	Operating: IEC 60068-2-64 Test Fh: Vibration Board-Band Random Test Random, 1Grms @ 5~500 Hz, 30min Non-Operating: IEC 60068-2-6 Test Fc: Vibration Sinusoidal Test Sweep Sine, 3Grms @ 10~500Hz, 30min	
	Certifications	CE, FCC Class A, RoHS	

## Assured Systems

Assured Systems is a leading technology company with over 1,500 regular clients in 80 countries, deploying over 85,000 systems to a diverse customer base in 12 years of business. We offer high-quality and innovative rugged computing, display, networking and data collection solutions to the embedded, industrial, and digital-out-of-home market sectors.

### US

[sales@assured-systems.com](mailto:sales@assured-systems.com)

Sales: +1 347 719 4508  
Support: +1 347 719 4508

1309 Coffeen Ave  
Ste 1200  
Sheridan  
WY 82801  
USA

### EMEA

[sales@assured-systems.com](mailto:sales@assured-systems.com)

Sales: +44 (0)1785 879 050  
Support: +44 (0)1785 879 050

Unit A5 Douglas Park  
Stone Business Park  
Stone  
ST15 0YJ  
United Kingdom

VAT Number: 120 9546 28  
Business Registration Number: 07699660