



Intel® Atom™ E3800 Series
Fanless Embedded System

EC700-BT3054

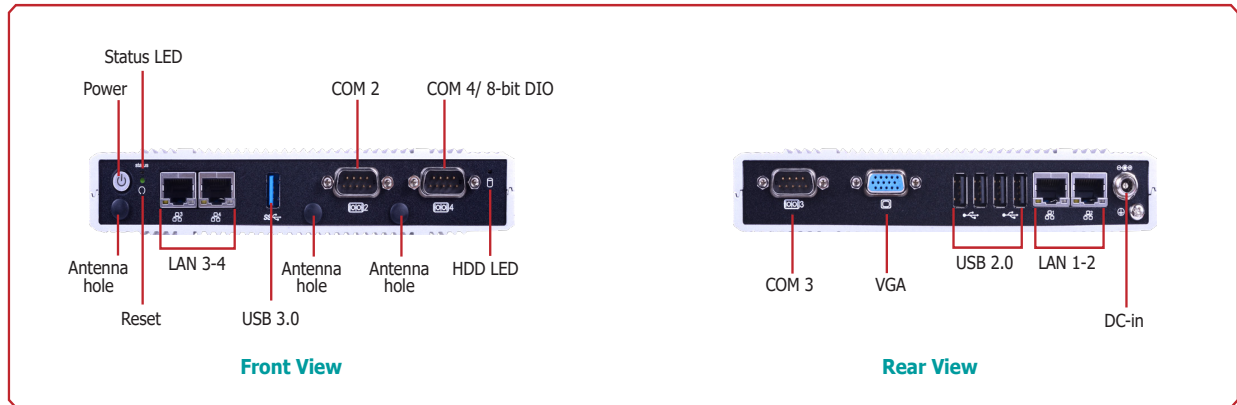


► Features

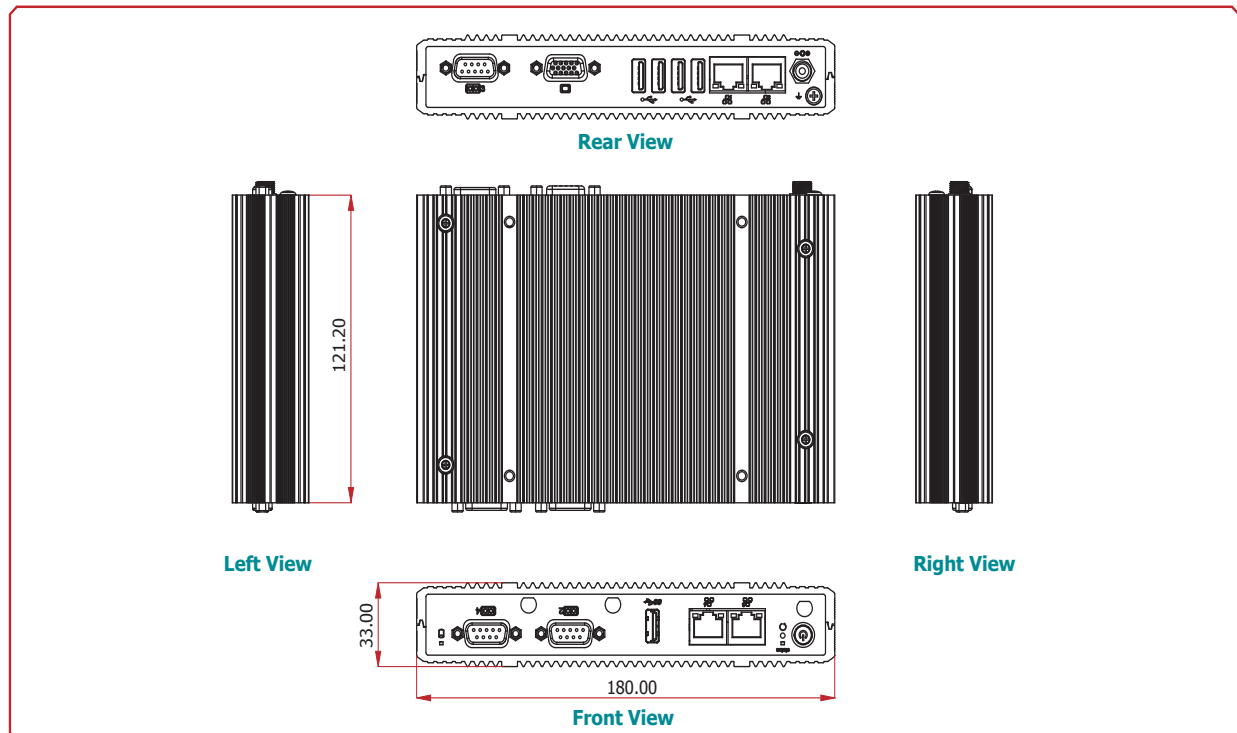
- 4GB/2GB DDR3L onboard
- mSATA, eMMC (optional)
- 1x 2.5" SATA drive bay
- 4x Gigabit LAN ports
- Supports 3G/4G and GPRS application



► Panel



► Dimensions





EC700-BT3054

► Specifications * Optional and is not supported in standard model. Please contact your sales representative for more information.

PROCESSOR SYSTEM

- Intel® Atom™ E3845, Quad Core, 2M Cache, 1.91GHz, 10W
- Intel® Celeron® J1900, Quad Core, 2M Cache, 2GHz (2.41GHz), 10W
- BGA 1170 packaging technology
- 22nm process technology

MEMORY

- Supports 4GB DDR3L onboard 1333MHz (E3845)
Supports 2GB DDR3L onboard 1066MHz (J1900)
- Supports single channel memory interface

GRAPHICS

- Intel® HD Graphics
- Display ports: 1 VGA or 1 DVI-I*
- DVI: resolution up to 1920x1080 @ 60Hz
- VGA: 24-bit, resolution up to 2560x1600 @ 60Hz

STORAGE

- 1x 2.5" SATA drive bay
 - SATA 2.0 port with data transfer rate up to 3Gb/s
- 1 mSATA module via a Mini PCIe slot
- Supports 4GB, 8GB, 16GB and 32GB eMMC onboard*

ETHERNET

- 4 Intel® I210 PCI Express Gigabit Ethernet controllers
- Integrated 10/100/1000 transceiver
- Fully compliant with IEEE 802.3, IEEE 802.3u, IEEE 802.3ab

COM

- 3 DB-9 ports
 - COM 2 and COM 3 support RS232/422/485 COM
 - COM 4 supports RS232/422/485 COM or 8-bit DIO (selected by jumper)

EXPANSION

- 2 Mini PCIe slots
 - 1 full size slot for communication
 - : Supports PCIe, USB, and 3G signals for 3G or GPRS module
 - 1 full size slot for storage
 - : Supports mSATA module
- 1 SIM card socket
- 1 microSD socket

DIO

- 1 8-bit DIO via the DB-9 port

I/O PORTS

- Front Panel
 - 2 DB-9 serial ports
 - : supports RS232/422/485
 - : One of the ports supports 8-bit DIO
 - 1 USB 3.0 (Type A) port
 - 2 RJ45 LAN ports
 - 3 antenna holes
 - 1 status LED
 - 1 HDD LED
 - 1 reset button
 - 1 power button
- Rear Panel
 - 1 DB-9 serial port
 - : supports RS232/422/485
 - 1 VGA port; or 1 DVI-I port*
 - 4 USB 2.0 (Type A) ports
 - 2 RJ45 LAN ports
 - 1 9~36V DC-in jack

POWER

- Power input voltage: 9~36V DC-in jack

ENVIRONMENT

- Temperature
 - Operating (E3845)
 - : -20°C~60°C (SSD/mSATA)
 - : 0°C~50°C (HDD)
 - Operating (J1900)
 - : 0°C~60°C (SSD/mSATA)
 - : 0°C~50°C (HDD)
 - Storage: -20°C~85°C
- Operating Vibration
 - Operating: sine 5~500Hz, 1G
 - Non-operating: sine 10~500Hz, 3G
- Operating Shock
 - Operating: 5G
 - Non-operating: 10G

CONSTRUCTION

- Aluminum + metal aluminum

MOUNTING

- Wall/VESA/DIN Rail mount
 - Mounting brackets and screws*

DIMENSIONS

- 180mm x 33mm x 121.2mm (W x H x D)

WEIGHT

- 800 g

OS SUPPORT

- Windows 7, WES 7, Windows 8.1, WES 8
- Linux

WATCHDOG TIMER

- Watchdog timeout programmable via software from 1 to 255 seconds

CERTIFICATION

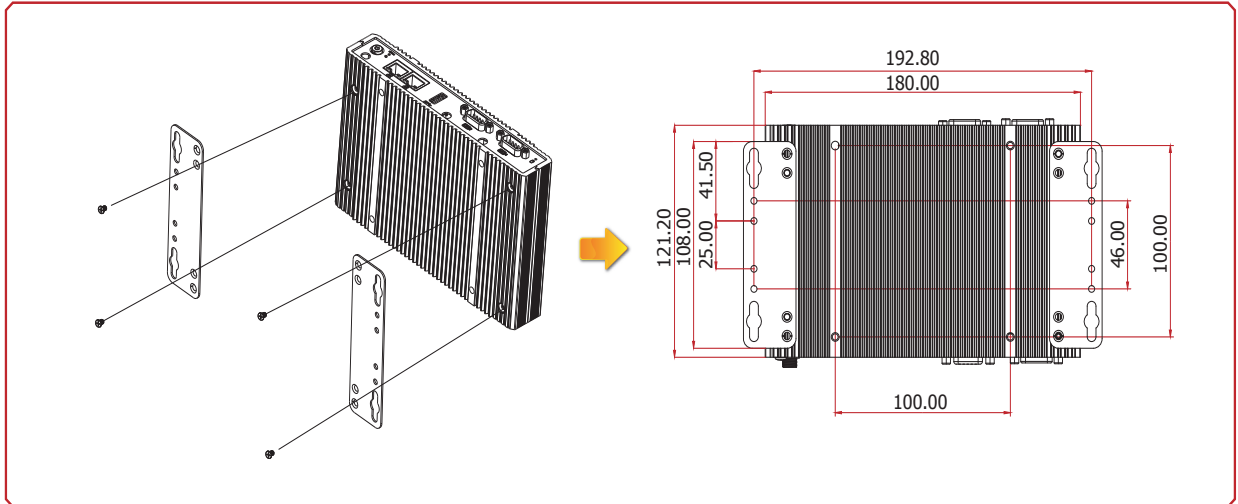
- CE, FCC Class B, RoHS



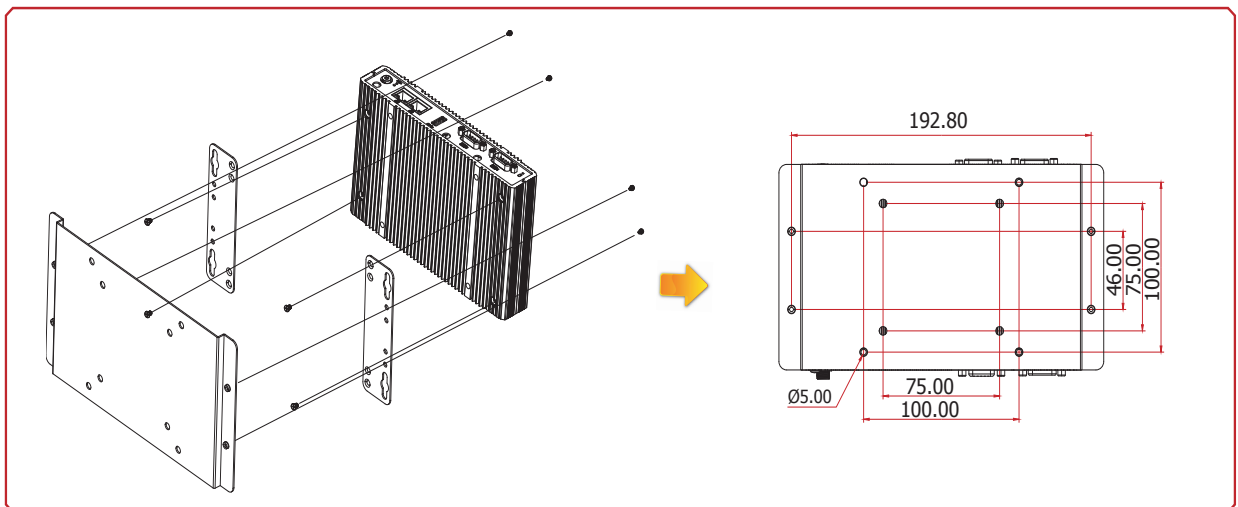
Intel® Atom™ E3800 Series
Fanless Embedded System

EC700-BT3054

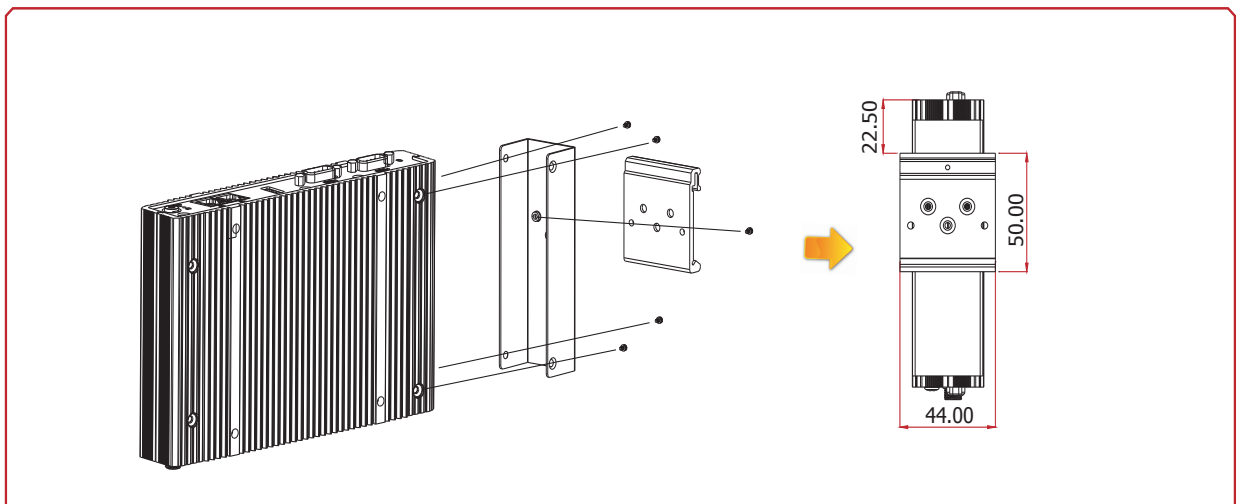
▶ Wall Mounting



▶ VESA Mounting



▶ DIN Rail Mounting





EC700-BT3054

► Ordering Information

Model Name	Part Number	Description
EC700-BT3054-454	750-EC7001-000G	Fanless, Intel Atom E3845, 4 LAN, 1 VGA, 3 COM, 5 USB, 4GB DDR3L onboard, RoHS
EC700-BT3054-192	750-EC7001-100G	Fanless, Intel Celeron J1900, 4 LAN, 1 VGA, 3 COM, 5 USB, 2GB DDR3L onboard, RoHS

► Optional Items

Optional Items	Part Number	Description
HDD	785-H25500G	2.5" SATA HDD, 500GB, RoHS
	785-H25320G	2.5" SATA HDD, 320GB, RoHS
	785-S251TBG	2.5" SATA SSD, 1TB MLC, RoHS
	785-S25512G	2.5" SATA SSD, 512GB MLC, RoHS
	785-S25256G	2.5" SATA SSD, 256GB MLC, RoHS
	785-S25128G	2.5" SATA SSD, 128GB MLC, RoHS
	785-S25064G	2.5" SATA SSD, 64GB MLC, RoHS
mSATA	785-MS128GMF	mSATA Card, 128GB MLC, RoHS
	785-MS64GMF	mSATA Card, 64GB MLC, RoHS
	785-MS32GMF	mSATA Card, 32GB MLC, RoHS
	785-MS16GMF	mSATA Card, 16GB MLC, RoHS
	785-MS08GMF	mSATA Card, 8GB MLC, RoHS
	785-MS04GMF	mSATA Card, 4GB MLC, RoHS
Wi-Fi	761-110091-000G	Wi-Fi Kit, RoHS
3G + GPS	612-110040-600G	3G + GPS Kit, RoHS
Power Cord	785-PWRD	Power Cord, Standards (USA/EUR/CH), 1.8m, RoHS
Power Adapter	671-106012-000G	60W, 12V/5A, Level 6, RoHS
	671-106013-000G	60W, 12V/5A (-30 to 70°C), Level 6, RoHS
	671-106011-000G	60W, 19V/3.15A, Level 6, RoHS
Wall Mount	761-EC8000-000G	EC700/800 Wall Mount Kit, RoHS
VESA Mount	761-EC7000-100G	EC700 VESA Mount Kit, RoHS
DIN Rail Mount	761-EC8000-200G	EC700/800 DIN Rail Mount Kit, RoHS
DC Cord	A81-004031-007G	UL 1185 (5.5x2.5x9.5mm) with Nut to stripped and tinned, length 1000mm

► Packing List

• 1 EC700-BT3054 system unit
• 6 mounting screws for Mini PCIe module
• 1 Quick Installation Guide

Assured Systems

Assured Systems is a leading technology company with over 1,500 regular clients in 80 countries, deploying over 85,000 systems to a diverse customer base in 12 years of business. We offer high-quality and innovative rugged computing, display, networking and data collection solutions to the embedded, industrial, and digital-out-of-home market sectors.

US

sales@assured-systems.com

Sales: +1 347 719 4508
Support: +1 347 719 4508

1309 Coffeen Ave
Ste 1200
Sheridan
WY 82801
USA

EMEA

sales@assured-systems.com

Sales: +44 (0)1785 879 050
Support: +44 (0)1785 879 050

Unit A5 Douglas Park
Stone Business Park
Stone
ST15 0YJ
United Kingdom

VAT Number: 120 9546 28
Business Registration Number: 07699660