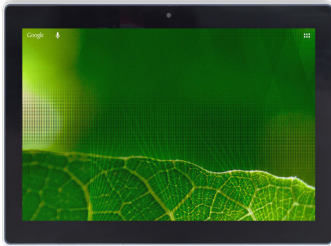




# M1016

## 10.1" Healthcare Infotainment Terminal



### Features

- Quad-Core ARM Cortex-A35 CPU 1.5G Hz, Android-based
- Bedside infotainment and medical thin-client application
- 10.1" LCD display
- 10-point Projected Capacitive Multi-Touch
- Support Android 8.1
- H.265/HEVC Video Decode
- IEC & EN 60601-1 (Edition 3.1) and IEC & EN 60601-1-2 (Edition 4th) certified
- PoE connectivity (PD)
- Operating temperature: 0°C ~ 40°C

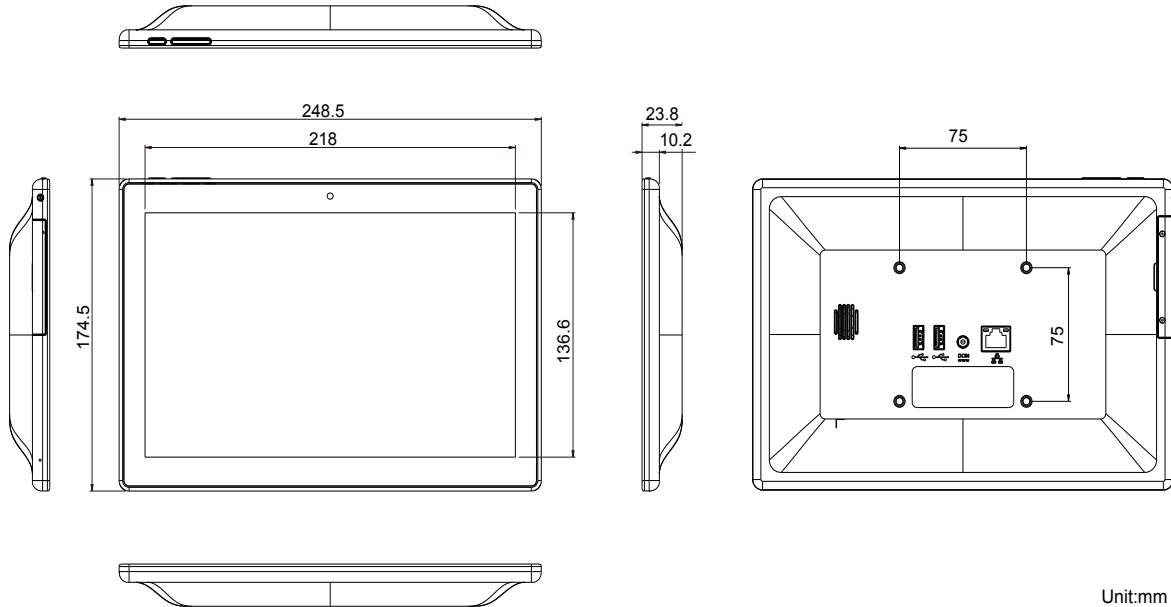
Medical Computing

System	
CPU	ARM Quad-Core Cortex-A35 1.5GHz (SoC)
GPU	Mali-G31 MP2
Memory	2GB DDR4 memory soldered on board
Storage	16GB eMMC Flash soldered on board
Peripherals and Devices	
Camera	2MP front-facing camera
WLAN & Bluetooth	1 x WLAN 802.11 a/b/g/n/ac & Bluetooth 5.0 + BLE
I/O Interface	
SD Card	1 x microSDHC/microSD card socket (hidden) (Max. 32GB)
Audio	1 x 3W stereo speaker 1 x 3.5mm earphone jack 1 x built-in microphone
LAN	1 x RJ-45 10/100M with PoE PD support
USB Port	2 x USB 2.0 Type-A port 1 x OTG micro-USB 2.0 (hidden)
Button & Indicator	
Button	1 x Power on/off button 2 x Volume up/down buttons 1 x Reset button (hidden)
LED	Green: DC Jack Orange: PoE
Touch Screen	
Type	10-point Projected Capacitive Multi-Touch
LCD Display	
Size/Type	10.1" TFT, LVDS type
Max. Resolution	1280 x 800 (WXGA)
Contrast Ratio	800:1 (typ.)
Backlight Type	LED
Brightness	350 cd/m <sup>2</sup> (Typ.)
View Angle (U/D/R/L)	85°/85°/85°/85° (typ.)
Video Streaming	
UDP Streaming	Support multicast UDP stream decode
RTSP Streaming	Support RTSP stream decode
HLS Streaming	Support HLS stream

Power Requirement	
Power Input	PoE input or Power adaptor input
Adapter Input	100 ~ 240 VAC (full range)
Adapter Output	DC 12V, 2.5A
Mechanical & Environmental	
Operating Temp.	0 ~ 40°C (32 ~ 104°F)
Storage Temp.	-5 ~ 60°C (23 ~ 140°F)
Operating Humidity	10 ~ 80% @ 40°C (non-condensing)
Dimensions	248.5 mm x 174.5mm x 23.8 mm (9.78" x 6.87" x 0.94")
Net Weight	623g (1.38lb)
Vibration	1 Grms/ 5 ~ 500Hz/ random operation
Shock	10G/ peak (11ms)
Mounting	VESA-75 compatible
IP Rating	Compliance design with IP65 (front touch panel)
Operational Altitude	Below 2000m
Regulatory	CE, FCC Part 15 Subpart C IEC & EN 60601-1 Safety (Edition 3.1), IEC & EN 60601-1-2 EMC (Edition 4th)
OS Support	
Android™ 8.1	
Ordering Information	
M1016	10.1" terminal with projected capacitive touchscreen, Wi-Fi and front camera



**Dimensions**



Unit:mm

**Optional Accessories**

PAC-M025W                      25W medical-grade AC/DC adapter kit



*\*CTOS means Configure-to-Order Service. BTO means Build-to-Order.*

## Assured Systems

Assured Systems is a leading technology company with over 1,500 regular clients in 80 countries, deploying over 85,000 systems to a diverse customer base in 12 years of business. We offer high-quality and innovative rugged computing, display, networking and data collection solutions to the embedded, industrial, and digital-out-of-home market sectors.

### US

[sales@assured-systems.com](mailto:sales@assured-systems.com)

Sales: +1 347 719 4508  
Support: +1 347 719 4508

1309 Coffeen Ave  
Ste 1200  
Sheridan  
WY 82801  
USA

### EMEA

[sales@assured-systems.com](mailto:sales@assured-systems.com)

Sales: +44 (0)1785 879 050  
Support: +44 (0)1785 879 050

Unit A5 Douglas Park  
Stone Business Park  
Stone  
ST15 0YJ  
United Kingdom

VAT Number: 120 9546 28  
Business Registration Number: 07699660