

## ViTAM-112P/R/G(H)

12.1" IP66 / IP69K Stainless Steel Display

Industrial Panel PC

HMI Controller

Industrial Display Monitor

Box PC



### Features

- 12.1" New Generation Stainless Steel Display
- True Flat Front Bezel Design and Grade 304 Stainless Steel Enclosure (Grade 316 for Option)
- IP66/IP69K Rated with M12 Connectors
- Support Resistive Touch, Projected Capacitive Touch, and Glass
- Touch on/off Button on the Side Edge for Hygienic Cleaning
- Support Ergonomic Versatile Mounting: Yoke Mounting / Space-saving VESA 75 x 75 mm Mounting

### Specifications

| IO Port              |  |
|----------------------|--|
| VGA                  | 1 x M12 12-pin for VGA with waterproof cover and chain     |
| HDMI                 | 1 x M12 HDMI with waterproof cover and chain               |
| Speaker              | 1 x 2W IP65 speaker (option)                               |
| OSD Control Membrane | OSD on the rear side                                       |
| Power Connector      | 1 x M12 3-pin for DC power with waterproof cover and chain |

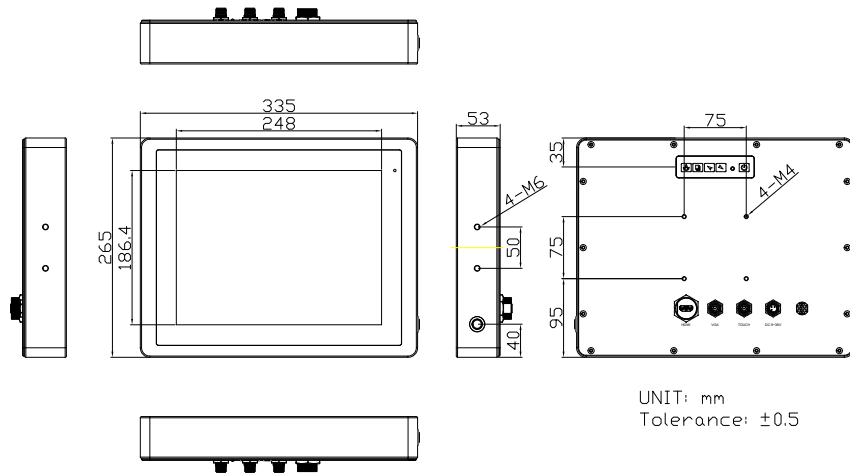
| Display                        | Standard                                      | High Brightness Optional                      |
|--------------------------------|---|---|
| Display Type                   | 12.1" TFT-LCD                                 | 12.1" TFT-LCD                                 |
| Max. Resolution                | 800 x 600<br>1024 x 768 (optional)            | 800 x 600<br>1024 x 768 (optional)            |
| Max. Color                     | 262K / 16.2M                                  | 16.2M   |
| Luminance (cd/m <sup>2</sup> ) | 450 / 500                                     | 1000  |
| View Angle                     | 160(H) / 150(V)<br>160(H) / 140(V) (optional) | 178(H) / 178(V)<br>160(H) / 140(V) (optional) |
| Contrast                       | 800:1 / 700:1 (optional)                      | 700:1   |
| Backlight Lifetime             | 50,000 hrs<br>30,000 hrs (optional)           | 50,000 hrs                                    |
| Option                         | Optical Bonding                               | Optical Bonding                               |

| Touch Screen          |  |
|-----------------------|--|
| Type                  | Resistive Touch (For R model)<br>Projected Capacitive Touch (For P model)<br>Glass (For G model) |
| Interface             | USB  |
| Light Transmission(%) | Resistive Touch : 80% / Projected Capacitive : 90%   |

| Power             |                                    |
|-------------------|------------------------------------|
| Power Input       | DC 9~36V                           |
| Power Consumption | ViTAM-112P: 8W<br>ViTAM-112PH: 12W |

| Mechanical   |   |
|--------------|---|
| Construction | 304 Stainless steel chassis(default), 316 Stainless steel chassis(optional) |
| Mounting     | VESA Mount 75 x 75, Yoke mount (option)                                     |
| IP Rating    | Total IP66/IP69K  |
| Dimensions   | 335 x 265 x 53 mm   |
| Net Weight   | 4.6 kg  |

### Dimensions



| Environmental         |                                   |
|-----------------------|-----------------------------------|
| Operating Temperature | 0~50°C / -20~60°C (option)        |
| Storage Temperature   | -30~70°C                          |
| Storage Humidity      | 10 to 90% @ 40°C, non- condensing |
| Certificate           | CE/FCC Class A                    |

| Ordering Information |   |
|----------------------|---|
| ViTAM-112P           | 12.1" SVGA IP66/IP69K stainless steel display, VGA/HDMI input, OSD on the rear side, projected capacitive touch, 9~36V DC power input with Adapter                    |
| ViTAM-112R           | 12.1" SVGA IP66/IP69K stainless steel display, VGA/HDMI input, OSD on the rear side, 5 wire resistive touch window, 9~36V DC power input with Adapter                 |
| ViTAM-112G           | 12.1" SVGA IP66/IP69K stainless steel display, VGA/HDMI input, OSD on the rear side, protection glass, 9~36V DC power input with Adapter                              |
| ViTAM-112PH          | 12.1" SVGA IP66/IP69K stainless steel display, VGA/HDMI input, OSD on the rear side, projected capacitive touch, 9~36V DC power input with Adapter, 1,000 nits LCD    |
| ViTAM-112RH          | 12.1" SVGA IP66/IP69K stainless steel display, VGA/HDMI input, OSD on the rear side, 5 wire resistive touch window, 9~36V DC power input with Adapter, 1,000 nits LCD |
| ViTAM-112GH          | 12.1" SVGA IP66/IP69K stainless steel display, VGA/HDMI input, OSD on the rear side, protection glass, 9~36V DC power input with Adapter, 1,000 nits LCD              |

## Assured Systems

Assured Systems is a leading technology company with over 1,500 regular clients in 80 countries, deploying over 85,000 systems to a diverse customer base in 12 years of business. We offer high-quality and innovative rugged computing, display, networking and data collection solutions to the embedded, industrial, and digital-out-of-home market sectors.

### US

[sales@assured-systems.com](mailto:sales@assured-systems.com)

Sales: +1 347 719 4508  
Support: +1 347 719 4508

1309 Coffeen Ave  
Ste 1200  
Sheridan  
WY 82801  
USA

### EMEA

[sales@assured-systems.com](mailto:sales@assured-systems.com)

Sales: +44 (0)1785 879 050  
Support: +44 (0)1785 879 050

Unit A5 Douglas Park  
Stone Business Park  
Stone  
ST15 0YJ  
United Kingdom

VAT Number: 120 9546 28  
Business Registration Number: 07699660