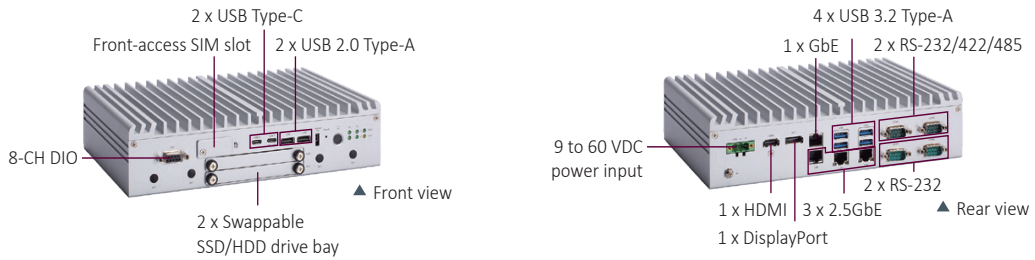


# eBOX630B NEW

Fanless Embedded AI System with Intel® Core™ Ultra Processor, HDMI/DisplayPort, 4 LAN, 4 COM, 6 USB, 2 USB Type-C, and 9 to 60 VDC



## Features

- Intel® Core™ Ultra processor (Meteor Lake-U/H)
- Multiple compute engines : CPU , GPU (Intel® Arc GPU by H SKU) and NPU (Intel® AI Boost)
- Dual channel DDR5 5600 SO-DIMM, up to 64GB
- 6 USB and 2 USB Type-C with DisplayPort support
- Supports multiple display interfaces with 1 HDMI 1.4b and 3 x DisplayPort (2 ports via USB Type-C)
- Three 2.5GbE LAN with TSN and 1 GbE
- Two 2.5" front-access swappable HDD/SSD and 1 M.2 Key M 2280
- Wide operating temperature range from -40°C to +70°C
- Wide power input range from 9 to 60 VDC
- Supports the OpenVINO™ toolkit for AI computing

## Specifications

Standard Color	Silver
Construction	Aluminum extrusion and heavy-duty steel, IP40
CPU	Intel® Core™ Ultra 7 processor 155H (16 cores, 28W TDP) Intel® Core™ Ultra 5 processor 125H (14 cores, 28W TDP) Intel® Core™ Ultra 5 processor 125U (12 cores, 15W TDP)
System Memory	2 x 262-pin DDR5-5600 SO-DIMM, non ECC, up to 64GB
Chipset	SoC integrated
BIOS	AMI

## Specifications

System I/O Outlet	<b>Front side</b> 2 x USB 2.0 (Type-A) 1 x USB Type-C (DisplayPort/USB 10Gbps support) 1 x USB Type-C (DisplayPort/USB 10Gbps with 30W power delivery support) 1 x 8-CH TTL DIO with DB9 female connector (4-in/4-out) 1 x Phoenix-type VDC power input connector 1 x ATX power switch 1 x Remote power switch 1 x Reset switch connector 1 x Front-access SIM slot 2 x Antenna opening	<b>Rear side</b> 3 x 10/100/1000/2500 Mbps Ethernet (Intel® I226-IT) 1 x 10/100/1000 Mbps Ethernet (Intel® I210-IT) 2 x RS-232/422/485 with auto flow (COM1/2) 2 x RS-232 with auto flow (COM3/4) 1 x HDMI 1.4b (lockable) 1 x DisplayPort 1.4a 4 x USB 3.2 Gen2 (Type-A) 2 x Antenna opening
Watchdog Timer	255 levels, 1 to 255 sec.	
Storage	2 x 2.5" swappable SSD/HDD drive bay (up to 9.5 mm height, RAID 0, 1 supported)	
Expansion Interface	1 x Full-size PCI Express Mini Card (USB + PCIe signal) 1 x M.2 Key E 2230 slot for Wi-Fi (USB 2.0 + PCIe signal) 1 x M.2 Key M 2280 slot for NVMe storage (PCIe x4 signal only)	
TPM	TPM 2.0	
System Indicator	1 x Green LED for system power-on 1 x Orange LED for HDD/SSD active	
Power Input	9 to 60 VDC	
Operating Temperature	-40°C to +70°C (-40°F to +158°F) with 0.7 m/s air flow (CPU: 15W TDP) (with W.T. DRAM and SSD) -40°C to +60°C (-40°F to +140°F) with 0.7 m/s air flow (CPU: 28W TDP) (with W.T. DRAM and SSD)	
Humidity	10% to 95%, non-condensing	
Shock Vibration	IEC 60068-2-27 (with SSD: 50G, half sine, 11 ms duration)	
Vibration Endurance	IEC 60068-2-64 (with SSD: 3Grms STD, random, 5 to 500 Hz, 1 hr/axis)	
Package Vibration	MIL-STD-810G 514.6C-II compliance	
Dimensions (W x D x H)	250 x 170 x 60 mm (9.84" x 6.69" x 2.36")	
Weight (net/gross)	2.4 kg (5.29 lb)/3.2 kg (7.0 lb)	
Certifications	CE, FCC Class A, UKCA	
EOS Support	Win 11 IoT, Linux	

\*W.T.: Wide Temperature. All W.T. supported products have to be sorted by Axiomtek.

## Packing List

- 1 x Remote power switch cable
- 1 x 3-pin terminal block connector
- 4 x Foot pad
- 1 x Screw pack

## Power Protection

### DC Version

- OVP (over voltage protection)
- UVP (under voltage protection)
- SCP (short circuit protection)
- OCP (over current protection)
- Reverse protection

## Ordering Information

### Standard

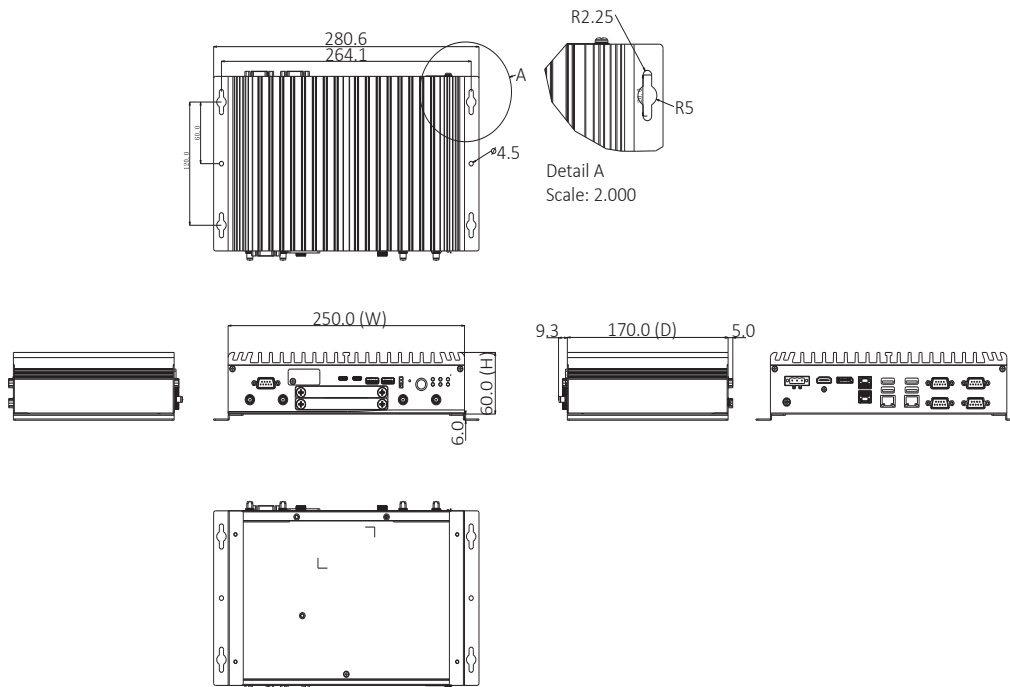
eBOX630B-U5-125H (P/N: E360630B00)	Fanless embedded AI system with Intel® 125H, HDMI/DisplayPort, 4 LAN, 4 COM, 6 USB, 2 USB Type-C, and 9 to 60VDC
eBOX630B-U7-155H (P/N: E360630B01)	Fanless embedded AI system with Intel® 155H, HDMI/DisplayPort, 4 LAN, 4 COM, 6 USB, 2 USB Type-C, and 9 to 60VDC
eBOX630B-U5-125U (P/N: E360630B02)	Fanless embedded AI system with Intel® 125U, HDMI/DisplayPort, 4 LAN, 4 COM, 6 USB, 2 USB Type-C, and 9 to 60VDC

### Optional

2.5" SATA HDD	256GB or above
2.5" SATA SSD	100GB or above
DDR5 SO-DIMM	8GB to 32GB
E29R129103	Wall mount kit
E29R129115	DIN-rail kit
509000001500	24V 120W power adapter
	Power cord
	Wi-Fi/LTE module

\*Specifications and certifications may vary based on different requirements.

## Dimensions



## Assured Systems

Assured Systems is a leading technology company with over 1,500 regular clients in 80 countries, deploying over 85,000 systems to a diverse customer base in 12 years of business. We offer high-quality and innovative rugged computing, display, networking and data collection solutions to the embedded, industrial, and digital-out-of-home market sectors.

### US

[sales@assured-systems.com](mailto:sales@assured-systems.com)

Sales: +1 347 719 4508  
Support: +1 347 719 4508

1309 Coffeen Ave  
Ste 1200  
Sheridan  
WY 82801  
USA

### EMEA

[sales@assured-systems.com](mailto:sales@assured-systems.com)

Sales: +44 (0)1785 879 050  
Support: +44 (0)1785 879 050

Unit A5 Douglas Park  
Stone Business Park  
Stone  
ST15 0YJ  
United Kingdom

VAT Number: 120 9546 28  
Business Registration Number: 07699660