

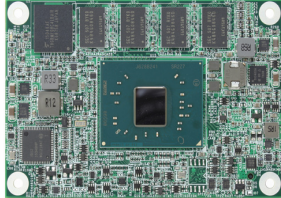


EmNANO-i2402

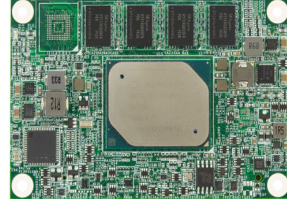


Intel Apollo Lake SoC Processor Mini COM Express® Type 10 CPU Module

EmNANO-i2402 N series



EmNANO-i2402 E series



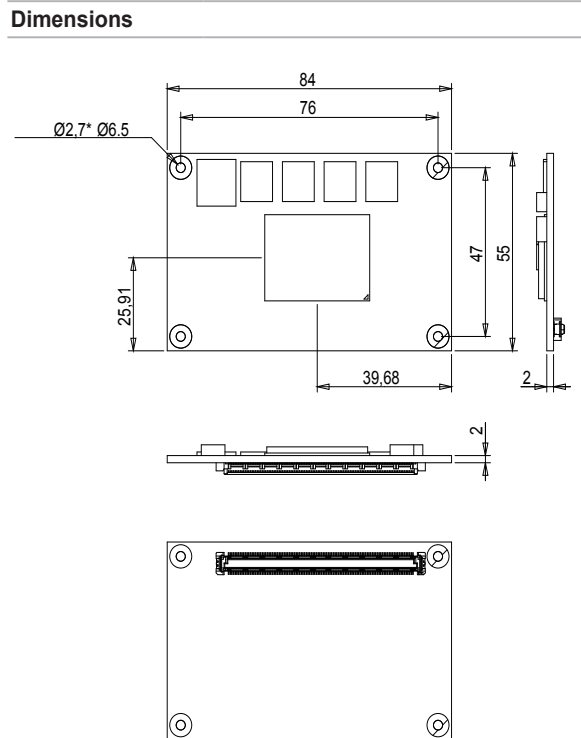
Features

- Soldered onboard Intel Apollo Lake SoC Processor
- Intel Ethernet controller i21x series
- Support Intel® Solid State Drive (SSD) Embedded "E SKU's"
- Single Channel 24-bit LVDS and 1 x DDI port

Computer on Module

| System | |
|-------------------|--|
| CPU | Soldered onboard Intel® Pentium® N4200 2.5GHz/ Celeron® N3350 2.4GHz/ Atom™ x7-E3950 1.6GHz/ x5-E3940 1.6GHz/ x5-E3930 1.3GHz processor |
| Memory | Soldered onboard 4GB DDR3L SDRAM, upgradable to 8GB |
| BIOS | AMI UEFI BIOS |
| I/O | |
| USB Port | 10 x USB ports: - 8 x USB 2.0 ports(Support USB2.0 only) - 2 x USB 3.0 SuperSpeed ports |
| Expansion Bus | 4 x PCIe1 lanes, I2C Interface, SDIO |
| Storage | 2 x Serial ATA ports Soldered onboard eMMC 5.0 up to 32GB (OEM Request) |
| Ethernet Chipset | 1 x Intel® Ethernet controller i21x series |
| Audio | HD audio link |
| Display | |
| Graphic Chipset | Intergrated in Intel® Gen9 graphic |
| Graphic Interface | LCD: Single Channel 24-bit via eDP to LVDS NXP PTN3460 1 x DDI port |
| OS support | |
| | Windows 10 32-bit/64-bit Linux: Ubuntu |

| Mechanical & Environmental | |
|----------------------------|--|
| Power Requirement | 5V/12V Auto detect |
| Power Consumption | 1.57A@12V with N4200 (Typical with PBN-9007) |
| Operating Temp. | -20 ~ 85°C (-4 ~ 185°F) -40 ~ 85°C (-40 ~ 185°F) for EmNANO-i2402-WT series |
| Operating Humidity | 10 ~ 95% @ 85°C (non-condensing) |
| Dimensions (L x W) | 84 x 55 mm (3.3" x 2.17") |

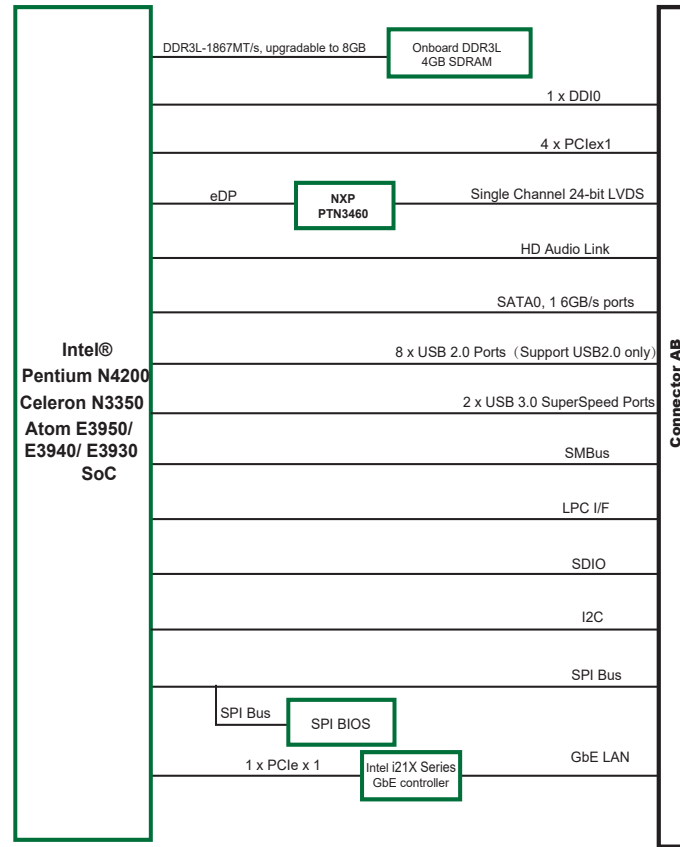


Unit : mm

All specifications are subject to change without notice.



Block Diagram



Ordering Information

| | |
|---------------------------------------|---|
| EmNANO-i2402-N4200-4GB | Intel® Pentium N4200 COM Express® Type 10 CPU Module w/ 4GB memory soldered on module |
| EmNANO-i2402-N3350-4GB | Intel® Celeron N3350 COM Express® Type 10 CPU Module w/ 4GB memory soldered on module |
| EmNANO-i2402D-N4200-4GB (OEM Request) | Intel® Pentium N4200 COM Express® Type 10 CPU Module w/ 4GB memory soldered on module, w/ 32GB eMMC |
| EmNANO-i2402D-N3350-4GB (OEM Request) | Intel® Celeron N3350 COM Express® Type 10 CPU Module w/ 4GB memory soldered on module, w/ 32GB eMMC |
| EmNANO-i2402-WT-E3950-4GB | Intel® Atom® x7-E3950 COM Express® Type 10 CPU Module w/ 4GB memory soldered on module, -40~85°C |
| EmNANO-i2402-WT-E3940-4GB | Intel® Atom® x5-E3940 COM Express® Type 10 CPU Module w/ 4GB memory soldered on module, -40~85°C |
| EmNANO-i2402-WT-E3930-4GB | Intel® Atom® x5-E3930 COM Express® Type 10 CPU Module w/ 4GB memory soldered on module, -40~85°C |

Optional Accessories

| | |
|--------------------------|--|
| PBN-9007 | PBN-9007 COM Express Mini Type 10 carrier board |
| HS-2402-F1-T (N Series) | Heat Spreader,AL,84*55*11mm,W/THREADED,W/PAD,ACE (for EmNANO-i2402-N4200/ N3350) |
| HS-2402-F1-NT (N Series) | Heat Spreader,AL,84*55*11mm,THROUGH HOLE,W/PAD,ACE (for EmNANO-i2402-N4200/ N3350) |
| HS-2402-F1-T (E Series) | Heat Spreader,AL,84*55*11mm,W/THREADED,W/PAD,ACE (for EmNANO-i2402-E39x0) |
| HS-2402-F1-NT (E Series) | Heat Spreader,AL,84*55*11mm,THROUGH HOLE,W/PAD,ACE (for EmNANO-i2402-E39x0) |
| CBK-05-9007-00 | PBN-9007 cable kit 1 x USB cable 1 x Serial port cable 1 x SATA cable 1 x SATA Power cable 1 x PS/2 cable |

Assured Systems

Assured Systems is a leading technology company with over 1,500 regular clients in 80 countries, deploying over 85,000 systems to a diverse customer base in 12 years of business. We offer high-quality and innovative rugged computing, display, networking and data collection solutions to the embedded, industrial, and digital-out-of-home market sectors.

US

sales@assured-systems.com

Sales: +1 347 719 4508
Support: +1 347 719 4508

1309 Coffeen Ave
Ste 1200
Sheridan
WY 82801
USA

EMEA

sales@assured-systems.com

Sales: +44 (0)1785 879 050
Support: +44 (0)1785 879 050

Unit A5 Douglas Park
Stone Business Park
Stone
ST15 0YJ
United Kingdom

VAT Number: 120 9546 28
Business Registration Number: 07699660