

ELIT-1850

Fanless Signage Player with 5th Gen. Intel® Core™ i7/i3 Processor



Features

- Intel® Core™ i7-5650U/i3-5010U Processor
- Support Triple-display for 1 x DVI-D, 1 x DisplayPort, 1 x HDMI
- Support one channel 4K (UHD) Display
- Support 2 x COM, 4 x USB3.0, 2 x USB2.0
- Support DirectX 11.1
- Support iAMT Function
- One NGFF connector for Wireless
- RTC Wakeup supported
- Operating Temperature: -20 ~ 60°C

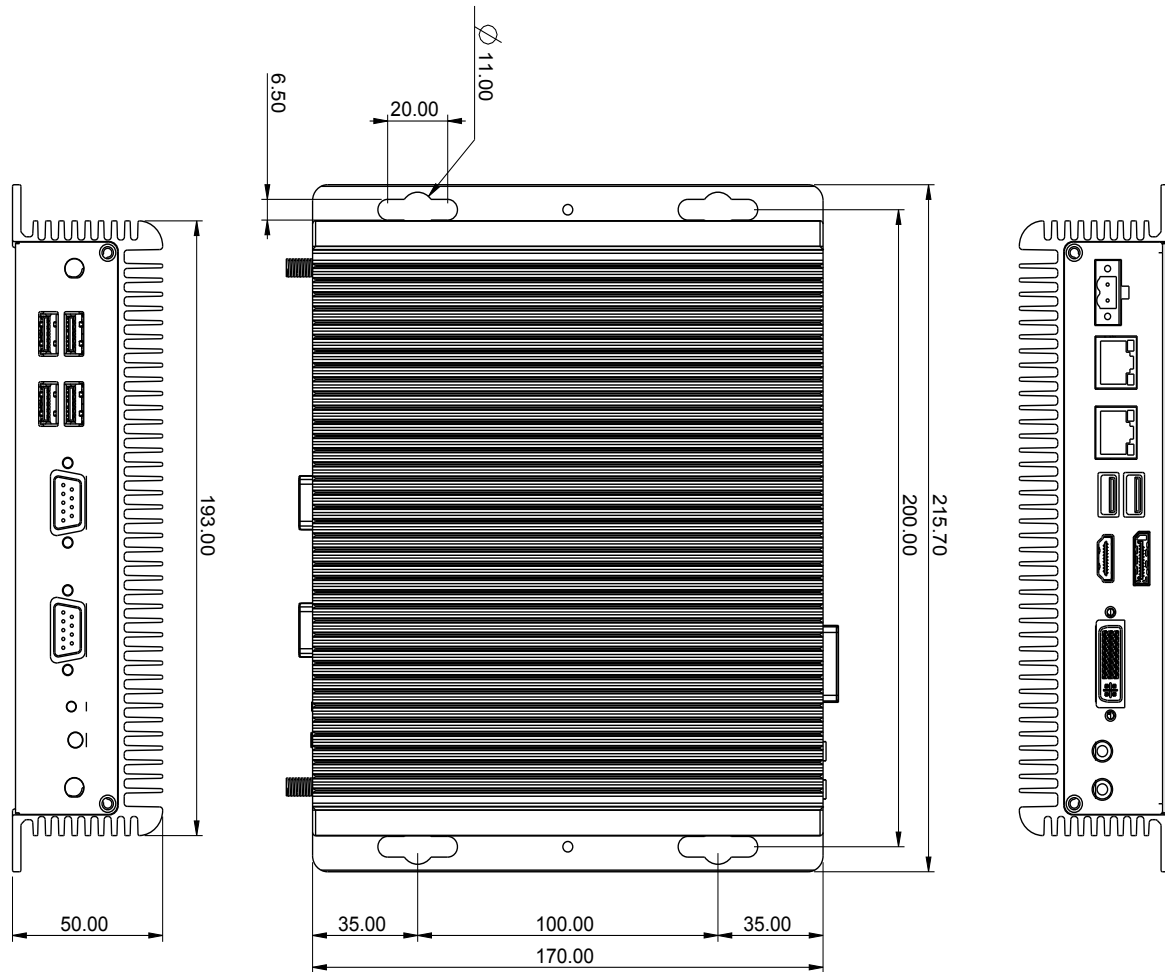
Industrial Automation

System	
CPU	Soldered onboard Intel® Core™ i7-5650U , 2.2GHz 4M L2 Cache, up to 3.1GHz, 15W TDP Soldered onboard Intel® Core™ i3-5010U , 2.1GHz 3M L2 Cache, 15W TDP
Memory	1 x 204-pin DDR3L SO-DIMM socket, supporting 1333/1600MHz SDRAM up to 8GB
Chipset	5 th Generation Intel® Core™ ULT SoC
Graphics	Integrated Intel® HD Graphics 6000
ATA	1 x Serial ATA port with 600MB/s HDD transfer rate
LAN Chipset	1 x Intel® i218LM GbE PHY (w/ iAMT10.0 supported) 1 x Intel® i210AT GbE controller
Watchdog Timer	1~255 levels reset
I/O	
Serial Port	2 x RS-232/485 ports
USB Port	4 x USB 3.0 ports 2 x USB 2.0 ports
LAN	2 x RJ-45 ports for GbE
Video Port	1 x DVI-D 1 x DisplayPort, up to 4K (UHD) 1 x HDMI, up to 4K (UHD)
Audio	Realtek ALC662 HDA codec, Mic-in/Line-out
Expansion Bus	1 x M.2 (NGFF) E Key 22 x 30 mm (2230)
Environmental	
Operating Temp.	-20 ~ 60°C (-4 ~ 140°F), ambient w/ air flow
Storage Temp.	-30 ~ 70°C (-22 ~ 158°F)
Operating Humidity	10 ~ 95% @ 60°C (non-condensing)
Vibration	3 Grms/5~500Hz/random operation
Shock	Operating 40G (11ms), non-operating 80G with SSD

Qualification	
Certification	CE, FCC Class A
Power Requirement	
Power Input	DC 12~24V input
Power Consumption	Max. 30W (w/o I/O card)
Power Management	RTC wakeup timer configurable
Storage	
Type	1 x 2.5" drive bay for SSD
Mechanical	
Construction	Aluminum alloy
Mounting	Wall-mount & VESA-mount
Weight	1.6 kg (3.52 lb)
Dimensions (W x H x D)	193 x 170 x 50 mm (7.60" x 6.69" x 1.96")
OS Support	
Windows 7 / Windows 8.1 / Windows 10 / Linux (Kernel: 3.1X)	
Ordering Information	
ELIT-1850-5650U	Digital Signage Player with Intel® Core™ i7-5650U, w/o memory and storage
ELIT-1850-5350U(BTO)	Digital Signage Player with Intel® Core™ i5-5350U, w/o memory and storage
ELIT-1850-5010U	Digital Signage Player with Intel® Core™ i3-5010U, w/o memory and storage



Dimensions



Optional Accessories

PAC-60W6A-FSP-ES 60W AC/DC 12V adapter kit with 2-pin/ 3-pin/ 4-pin blocks



VMK-1000 VESA mount kit for ELIT 1000/1250/1850 series



Optional Configuration (CTOS* Kit)

64/128/256GB SSD 2.5" SSD MLC 64/128/256GB



MM-3IL-8G Industrial DDR3L-1600 8GB SDRAM



ANT-D11 1 x Wi-Fi dual-band 2.4G/5G antenna



SCDB-1289E M.2 to 2 x Mini PCIe daughter board



HSUPA-1450 HSUPA 3.75G module kit w/ 25cm internal wiring



ANT-H11 1 x 2dBi HSUPA Antenna Kit



WiFi-AT3550 1 x Atheros QCNFA346A M.2 WiFi module w/ 2x30cm internal wiring



*CTOS means Configure-to-Order Service.

Last update: 10/5/2022

Assured Systems

Assured Systems is a leading technology company with over 1,500 regular clients in 80 countries, deploying over 85,000 systems to a diverse customer base in 12 years of business. We offer high-quality and innovative rugged computing, display, networking and data collection solutions to the embedded, industrial, and digital-out-of-home market sectors.

US

sales@assured-systems.com

Sales: +1 347 719 4508
Support: +1 347 719 4508

1309 Coffeen Ave
Ste 1200
Sheridan
WY 82801
USA

EMEA

sales@assured-systems.com

Sales: +44 (0)1785 879 050
Support: +44 (0)1785 879 050

Unit A5 Douglas Park
Stone Business Park
Stone
ST15 0YJ
United Kingdom

VAT Number: 120 9546 28
Business Registration Number: 07699660