

## ViTAM-916BPR(H)

15.6" IP66 / IP69K Stainless Steel Panel PC

Industrial Panel PC

HMI Controller

Industrial Display Monitor

Box PC



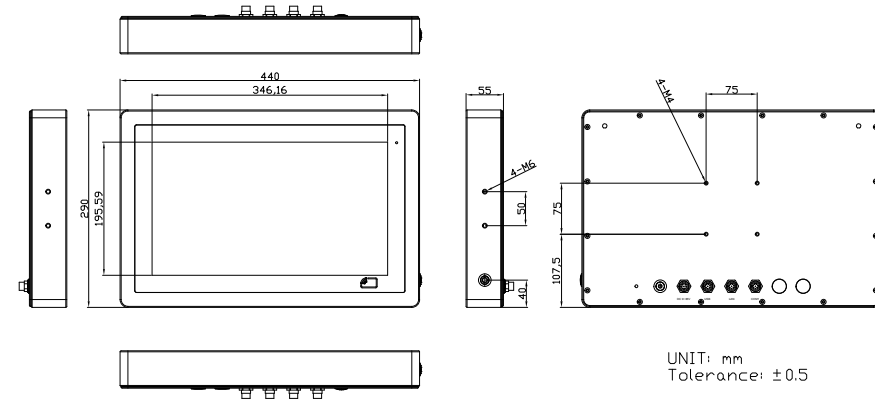
### Features

- 15.6" New Generation Stainless Steel Panel PC
- 8th Gen. Intel Core i3/i5 BGA type Processor
- True Flat Front Bezel Design and Grade 304 Stainless Steel Enclosure (Grade 316 for Option)
- IP66/IP69K Rated with M12 Connectors
- Support Resistive Touch, Projected Capacitive Touch
- Touch on/off Button on the Side Edge for Hygienic Cleaning
- Support Ergonomic Versatile Mounting: Yoke Mounting / Space-saving VESA 75 x 75 mm Mounting

### Specifications

| System                         |   |                                |
|--------------------------------|---|--------------------------------|
| CPU                            | Core i5-8365UE(Quad Core, 6 MB cache, 1.6GHz)<br>Core i3-8145UE(Dual Core, 4 MB cache, 2.2GHz)  |                                |
| System Chipset                 | SoC   |                                |
| Memory                         | 2 x 260-pin SO-DIMM up to 64GB DDR4 2400MHz   |                                |
| TPM                            | Firmware TPM (TPM 2.0 compliance)   |                                |
| IO Port                        |   |                                |
| USB                            | 1 x M12 8-pin for USB 2.0 with waterproof cover and chain   |                                |
| Serial / Parallel              | 1 x M12 8-pin COM1, RS-232/422/485, default RS-232, with waterproof cover and chain   |                                |
| LAN                            | 1 x M12 8-pin for LAN with waterproof cover and chain   |                                |
| Others                         | 1 x Touch on/off button at the side   |                                |
| Power Connector                | 1 x M12 3-pin for DC power with waterproof cover and chain<br>1 x Power switch on the rear  |                                |
| Option                         | 2 x optional blank M12 connector with waterproof cover and chain for selecting two from the following options:<br>2 x USB 2.0<br>1 x USB 3.2 Gen.1<br>1 x LAN<br>1 x COM<br>1 x CAN |                                |
| Storage Space                  |   |                                |
| HDD                            | 1 x 2.5" SATA3 HDD (for option)   |                                |
| M.2                            | 1 x B-key 2280 (SATA as default, PCI-e select by BIOS) for SSD  |                                |
| Expansion                      |   |                                |
| Expansion slot                 | 1 x Full size mSATA/mPCIe (mSATA as default, select by BIOS)<br>1 x NANO-SIM<br>1 x M.2 E-key 2230 (PCIe+USB) for optional WIFI/BT module   |                                |
| RFID module                    | RFID module design on the front side (for option)   |                                |
| Display                        |   |                                |
|                                | Standard  | High Brightness Optional       |
| Display Type                   | 15.6" TFT-LCD   | 15.6" TFT-LCD                  |
| Max. Resolution                | 1366 x 768 / 1920 x 1080  | 1366 x 768 / 1920 x 1080       |
| Max. Color                     | 16.7M / 16.2M   | 16.7M / 16.2M                  |
| Luminance (cd/m <sup>2</sup> ) | 400/450   | 1000                           |
| View Angle (H/V)               | 170(H)/160(V)<br>170(H)/170(V)  | 160(H)/160(V)<br>170(H)/170(V) |
| Contrast                       | 500:1 / 800:1   | 800:1                          |
| Backlight Lifetime             | 50,000 hrs  | 50,000 hrs                     |
| Touch Screen                   |   |                                |
| Type                           | Resistive Touch (for BR model)<br>Projected Capacitive (for BP model)   |                                |
| Interface                      | USB   |                                |
| Light Transmission(%)          | Resistive Touch : 80%<br>Projected Capacitive : 90%   |                                |

### Dimensions



UNIT: mm  
Tolerance: ±0.5

| Power                               |   |
|-------------------------------------|---|
| Power Input                         | DC 9-36V  |
| Power Consumption                   | ViTAM-916BP: 39W  |
| Mechanical                          |   |
| Construction                        | 304 Stainless steel chassis(default), 316 Stainless steel chassis(optional)   |
| Mounting                            | VESA mount 75 x 75, Yoke mount for optional   |
| IP Rating                           | Total IP66/IP69K  |
| Dimensions                          | 440 x 290 x 55 mm   |
| Net Weight                          | 7 kg  |
| Environmental                       |   |
| Operating Temperature               | 0-50°C  |
| Storage Temperature                 | -30-70°C  |
| Humidity                            | 10 to 95% @ 40°C, non-condensing  |
| Certificate                         | CE/FCC Class A  |
| Operating System Support            |   |
| Windows 10 IoT ENT LTSB, Windows 11 |   |
| Ordering Information                |   |
| ViTAM-916BP                         | 15.6" WXGA IP66/IP69K stainless steel panel pc, Intel 8th Gen. Core i Processor, 2 x SO-DIMM DDR4 slots, 128GB TLC SSD, projected capacitive touch, 9-36V DC power input with Adapter               |
| ViTAM-916BR                         | 15.6" WXGA IP66/IP69K stainless steel panel pc, Intel 8th Gen. Core i Processor, 2 x SO-DIMM DDR4 slots, 128GB TLC SSD, 5 wire resistive touch window, 9-36V DC power input with Adapter            |
| ViTAM-916BPH                        | 15.6" WXGA IP66/IP69K stainless steel panel pc, Intel 8th Gen. Core i Processor, 2 x SO-DIMM DDR4 slots, 128GB TLC SSD, projected capacitive touch, 9-36V DC power input with Adapter, 1000 nits    |
| ViTAM-916BRH                        | 15.6" WXGA IP66/IP69K stainless steel panel pc, Intel 8th Gen. Core i Processor, 2 x SO-DIMM DDR4 slots, 128GB TLC SSD, 5 wire resistive touch window, 9-36V DC power input with Adapter, 1000 nits |

## Assured Systems

Assured Systems is a leading technology company with over 1,500 regular clients in 80 countries, deploying over 85,000 systems to a diverse customer base in 12 years of business. We offer high-quality and innovative rugged computing, display, networking and data collection solutions to the embedded, industrial, and digital-out-of-home market sectors.

### US

[sales@assured-systems.com](mailto:sales@assured-systems.com)

Sales: +1 347 719 4508

Support: +1 347 719 4508

1309 Coffeen Ave  
Ste 1200  
Sheridan  
WY 82801  
USA

### EMEA

[sales@assured-systems.com](mailto:sales@assured-systems.com)

Sales: +44 (0)1785 879 050

Support: +44 (0)1785 879 050

Unit A5 Douglas Park  
Stone Business Park  
Stone  
ST15 0YJ  
United Kingdom

VAT Number: 120 9546 28

Business Registration Number: 07699660