

VITAM-917AR/P/G(H)

17" IP66 / IP69K Stainless Steel Panel PC

Industrial Panel PC

HMI Controller

Industrial Display Monitor

Box PC



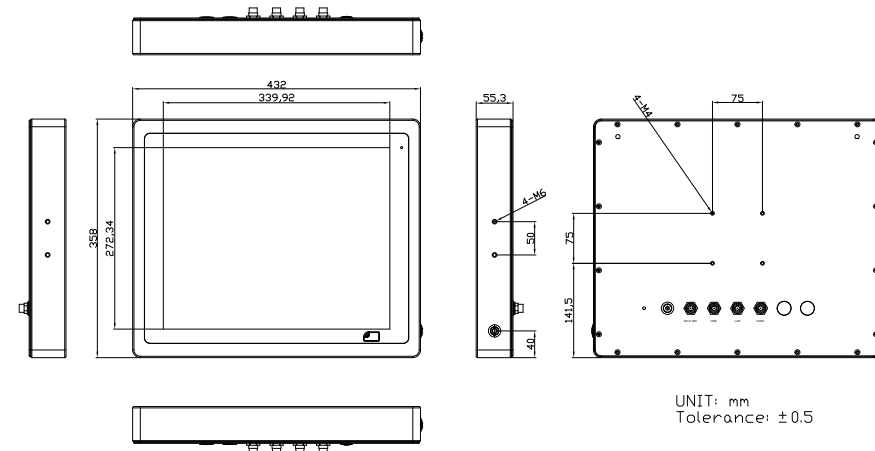
Features

- 17" New Generation Stainless Steel Panel PC
- 6th Gen Intel Core i3-6100U / Core i5-6300U Onboard Processor
- True Flat Front Bezel Design and Grade 304 Stainless Steel Enclosure (Grade 316 for Option)
- IP66/IP69K Rated with M12 Connectors
- Support Resistive Touch, Projected Capacitive Touch, and Glass
- Touch on/off Button on the Side Edge for Hygienic Cleaning
- Support Ergonomic Versatile Mounting: Yoke Mounting / Space-saving VESA 75 x 75 mm Mounting

Specifications

System		
CPU	Onboard 6th Gen Intel Core i3/i5 Processor	
System Chipset	SoC	
Memory	1 x 260-pin SO-DIMM up to 16GB DDR4 2133MHz	
IO Port		
USB	1 x M12 8-pin for USB 2.0 with waterproof cover and chain	
Serial / Parallel	1 x M12 8-pin COM1, RS-232/422/485, default RS-232, with waterproof cover and chain	
LAN	1 x M12 8-pin for LAN with waterproof cover and chain	
Others	1 x Touch on/off button on the side	
Power Connector	1 x M12 3-pin for DC power with waterproof cover and chain 1 x Power switch on the side	
Option	2 x optional blank M12 connector with waterproof cover and chain for selecting two from the following options: 2 x USB 2.0 1 x USB 3.0 1 x LAN (POE for option) 1 x COM 1 x CAN	
Storage Space		
HDD	1 x 2.5" SATA3 HDD	
Expansion		
Expansion Slot	1 x miniPCIe slot for WIFI/BT(optional), 4G/LTE(optional)	
RFID module	RFID module design on the front side(optional)	
Display		
Display Type	Standard	High Brightness Optional
Display Type	17" TFT-LCD	17" TFT-LCD
Max. Resolution	1280 x 1024	1280 x 1024
Max. Color	16.7M	16.7M
Luminance (cd/m ²)	350	1000
View Angle	170(H) / 170(V)	170(H) / 160(V)
Contrast	1000:1	1000:1
Backlight Lifetime	50,000 hrs	50,000 hrs
Touch Screen		
Type	Resistive Touch (For R model) Projected Capacitive Touch (For P model) Glass (For G model)	
Interface	USB	
Light Transmission(%)	Resistive Touch : 80% Projected Capacitive : 90%	
Power		
Power Input	DC 9~36V	
Power Consumption	ViTAM-917AP:49W	

Dimensions



UNIT: mm
Tolerance: ±0.5

Mechanical	
Construction	304 Stainless steel chassis(default), 316 Stainless steel chassis(optional)
Mounting	VESA mount 75 x 75, Yoke mount for optional
IP Rating	Total IP66/IP69K
Dimensions	432 x 358 x 55 mm
Net Weight	8.0 kg
Environmental	
Operating Temperature	0~50°C
Storage Temperature	-30~70°C
Storage Humidity	10 to 90% @ 40°C, non- condensing
Certificate	CE/FCC Class A
Operating System Support	
Windows Embedded 7, Windows Embedded 8.1, Windows 10 IoT ENT LTSB	
Ordering Information	
ViTAM-917AP	17" SXGA IP66/IP69K stainless steel panel pc, Intel 6th Gen. Core i Processor, 1 x SO-DIMM DDR4 slot, 32G MLC SSD, projected capacitive touch, 9~36V DC power input with Adapter
ViTAM-917AR	17" SXGA IP66/IP69K stainless steel panel pc, Intel 6th Gen. Core i Processor, 1 x SO-DIMM DDR4 slot, 32G MLC SSD, 5 wire resistive touch window, 9~36V DC power input with Adapter
ViTAM-917AG	17" SXGA IP66/IP69K stainless steel panel pc, Intel 6th Gen. Core i Processor, 1 x SO-DIMM DDR4 slot, 32G MLC SSD, protection glass, 9~36V DC power input with Adapter
ViTAM-917APH	17" SXGA IP66/IP69K stainless steel panel pc, Intel 6th Gen. Core i Processor, 1 x SO-DIMM DDR4 slot, 32G MLC SSD, projected capacitive touch, 9~36V DC power input with Adapter, 1000 nits
ViTAM-917ARH	17" SXGA IP66/IP69K stainless steel panel pc, Intel 6th Gen. Core i Processor, 1 x SO-DIMM DDR4 slot, 32G MLC SSD, 5 wire resistive touch window, 9~36V DC power input with Adapter, 1000 nits
ViTAM-917AGH	17" SXGA IP66/IP69K stainless steel panel pc, Intel 6th Gen. Core i Processor, 1 x SO-DIMM DDR4 slot, 32G MLC SSD, protection glass, 9~36V DC power input with Adapter, 1000 nits

Assured Systems

Assured Systems is a leading technology company with over 1,500 regular clients in 80 countries, deploying over 85,000 systems to a diverse customer base in 12 years of business. We offer high-quality and innovative rugged computing, display, networking and data collection solutions to the embedded, industrial, and digital-out-of-home market sectors.

US

sales@assured-systems.com

Sales: +1 347 719 4508

Support: +1 347 719 4508

1309 Coffeen Ave
Ste 1200
Sheridan
WY 82801
USA

EMEA

sales@assured-systems.com

Sales: +44 (0)1785 879 050

Support: +44 (0)1785 879 050

Unit A5 Douglas Park
Stone Business Park
Stone
ST15 0YJ
United Kingdom

VAT Number: 120 9546 28

Business Registration Number: 07699660