

ViPAC-915P/R/G(H)

15" Intel 6th/7th Core i3/i5/i7 Panel PC

Industrial Panel PC

HMI Controller

Industrial Display Monitor

Box PC



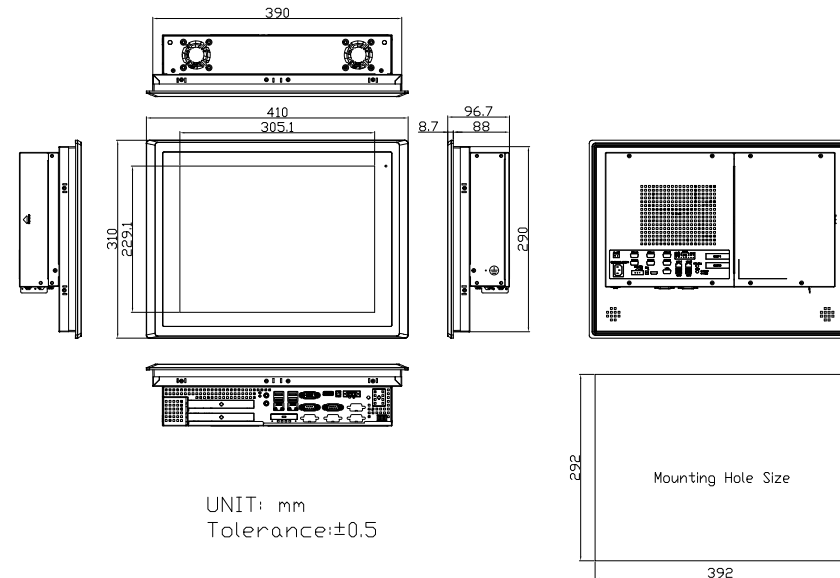
Features

- 15" TFT LCD Panel PC
- Intel 6th/7th Core i3/i5/i7 Socket type Processor
- Modular concept and with Fan Design
- Support PCT/RTW/AR Glass
- Front Bezel IP66
- Option WiFi/BT/Speaker
- Support 2 x Expansion slot
- DC 9~36V Power input, option AC power input

Specifications

System	
CPU	Intel 6th/7th Gen Core i3/i5/i7 processor
System Chipset	Intel H170
Memory	2 x 260-pin SO-DIMM up to 32GB DDR4 2133 MHz SDRAM
IO Port	
Rear side I/O port	4 x USB 3.0 type A 2 x RJ45 GbE LAN 1 x DB9 RS-232/422/485 default RS-232 1 x DB9 RS-232 1 x DB9 RS-422/485 default RS-485 1 x DB15 VGA 1 x HDMI with Cover 1 x Line-out/Mic-in 1 x 2 pin Terminal block for external power switch 2 x LED indication for HDD/System 1 x System LED indication at front 1 x 3 pin TB Power connector 1 x Power Switch on/off
Option I/O	2 x 2W speaker at rear side 4 x USB 2.0 Type A via TB-546 2 x DB9 COM port 1 x 8-bit GPIO (3 in/out/VCC/GND)
Storage Space	
HDD	2 x 2.5" SATA HDD space, support RAID 0, 1, 5 (Easily Accessible storage design)
Expansion	
Expansion Slot	1 x Full-size Mini PCIe on board (PCIe/USB/SATA, SATA by default) 1 x Half-size Mini PCIe on board (PCIe/USB, PCIe by default) 1 x SIM slot for option (Option wifi/BT/4G and antenna at rear side) 1 x PCIe x1 and 1 x PCIe x16 slot via TB-560E11E161 (default)
Display	
	Standard High Brightness Optional
Display Type	15" TFT-LCD 15" TFT-LCD
Max. Resolution	1024 x 768 1024 x 768
Max. Color	16.2M 262K / 16.7M
Luminance (cd/m ²)	300 1000
View Angle	176(H) / 176(V) 160(H) / 150(V)
Contrast	2000:1 800:1
Backlight Lifetime	70,000 hrs 50,000 hrs
Option	Auto Dimming Auto Dimming
Touch Screen	
Interface	Resistive Touch Projected Capacitive Touch
Light Transmission(%)	USB USB Over 80% Over 90%
Power	
Power Input	DC 9~36V Power input, option AC power input

Dimensions



Mechanical	
Construction	Aluminum die-casting front bezel and steel chssis Stainless front bezel (option)
Mounting	Panel Mount
IP Rating	Front Panel IP66
Dimensions	410 x 310 x 96.7 mm
Net Weight	6.3 kg
Environmental	
Operating Temperature	0~50°C / -20~60°C (option)
Storage Temperature	-30~70°C
Humidity	10 to 95% @ 40°C, non-condensing
Certificate	CE / FCC Class A
Operating System Support	
Windows embedded 7	
Windows embedded 8.1	
Windows 10 IoT Enterprise	
Ordering Information	
ViPAC-915R	15" XGA Intel Core 6th Core i processor with H170 chipset, with Fan design panel PC, 2 x 260pin DDR4 SO-DIMM slot, 2 x 2.5" HDD/SSD space, 1 x PCIe x1 and 1 x PCIe x16 slot, resistive touch window, 9~36VDC power input with adaptor, Alu.die-casting front bezel.
ViPAC-915P	15" XGA Intel Core 6th Core i processor with H170 chipset, with Fan design panel PC, 2 x 260pin DDR4 SO-DIMM slot, 2 x 2.5" HDD/SSD space, 1 x PCIe x1 and 1 x PCIe x16 slot, projected capacitive touch, 9~36VDC power input with adaptor, Alu.die-casting front bezel.

Assured Systems

Assured Systems is a leading technology company with over 1,500 regular clients in 80 countries, deploying over 85,000 systems to a diverse customer base in 12 years of business. We offer high-quality and innovative rugged computing, display, networking and data collection solutions to the embedded, industrial, and digital-out-of-home market sectors.

US

sales@assured-systems.com

Sales: +1 347 719 4508
Support: +1 347 719 4508

1309 Coffeen Ave
Ste 1200
Sheridan
WY 82801
USA

EMEA

sales@assured-systems.com

Sales: +44 (0)1785 879 050
Support: +44 (0)1785 879 050

Unit A5 Douglas Park
Stone Business Park
Stone
ST15 0YJ
United Kingdom

VAT Number: 120 9546 28
Business Registration Number: 07699660