

ADAM-4060 ADAM-4068 ADAM-4069

4-ch Relay Output Module

8-ch Relay Output Module with Modbus

8-ch Power Relay Output Module with Modbus



ADAM-4060



ADAM-4068



ADAM-4069



Specifications

General

- **Connectors** 2 x plug-in terminal blocks (#14 ~ 22 AWG)
- **Power Consumption** 0.8 W @ 24 V_{DC}
- **Watchdog Timer** System (1.6 second)
- **Supported Protocols** ASCII command

Relay Output

- **Breakdown Voltage** 500 V_{AC} (50/60 Hz)
- **Channels** 2 x Form A
2 x Form C
- **Contact Rating (Resistive)** 0.6 A @ 125 V_{AC}
0.3 A @ 250 V_{AC}
2 A @ 30 V_{DC}
0.6 A @ 110 V_{DC}
- **Initial Insulation Resistance** 1 GΩ min. at 500 V_{DC}
- **Relay off Time (Typical)** 2 ms
- **Relay on Time (Typical)** 3 ms
- **Maximum Operating Speed** 20 operations/min (at related load)

Specifications

General

- **Connectors** 2 x plug-in terminal blocks (#14 ~ 28 AWG)
- **Power Consumption** 0.6 W @ 24 V_{DC}
- **Watchdog Timer** System (1.6 second) & Communication
- **Supported Protocols** ASCII command and Modbus/RTU

Relay Output

- **Breakdown Voltage** 500 V_{AC} (50/60 Hz)
- **Channels** 4 x Form A
4 x Form C
- **Contact Rating (Resistive)** 0.5 A @ 120 V_{AC}
0.25 A @ 240 V_{AC}
1 A @ 30 V_{DC}
0.3 A @ 110 V_{DC}
- **Initial Insulation Resistance** 1 GΩ min. at 500 V_{DC}
- **Relay off Time (Typical)** 4 ms
- **Relay on Time (Typical)** 3 ms
- **Maximum Operating Speed** 50 operations/min (at related load)

Specifications

General

- **Connectors** 2 x plug-in terminal blocks (#14 ~ 28 AWG)
- **Power Consumption** 2.2 W @ 24 V_{DC}
- **Watchdog Timer** System (1.6 second) & Communication
- **Supported Protocols** ASCII command and Modbus/RTU

Relay Output

- **Breakdown Voltage** 1,000 V_{AC} (50/60 Hz)
- **Channels** 4 x Form A
4 x Form C
- **Contact Rating (Resistive)** 5 A @ 250 V_{AC}
5 A @ 30 V_{DC}
- **Initial Insulation Resistance** 1 GΩ min. at 500 V_{DC}
- **Relay off Time (Typical)** 5.6 ms
- **Relay on Time (Typical)** 5 ms
- **Maximum Operating Speed** 6 operations/min (at related load)

Common Specifications

General

- **Power Input** Unregulated 10 ~ 30 V_{DC}

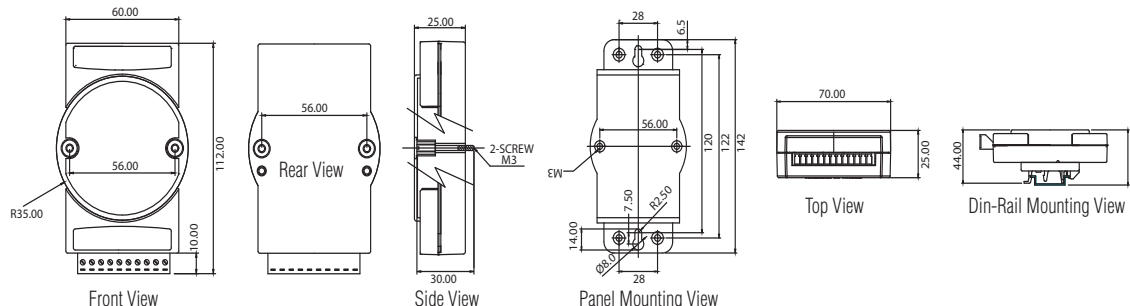
Environment

- **Operating Humidity** 5 ~ 95% RH
- **Operating Temperature** -10 ~ 70°C (14 ~ 158°F)
- **Storage Temperature** -25 ~ 85°C (-13 ~ 185°F)

Ordering Information

- **ADAM-4060-DE** 4-ch Relay Output Module
- **ADAM-4068-BE** 8-ch Relay Output Module with Modbus
- **ADAM-4069-AE** 8-ch Power Relay Output Module with Modbus

Dimensions



Assured Systems

Assured Systems is a leading technology company with over 1,500 regular clients in 80 countries, deploying over 85,000 systems to a diverse customer base in 12 years of business. We offer high-quality and innovative rugged computing, display, networking and data collection solutions to the embedded, industrial, and digital-out-of-home market sectors.

US

sales@assured-systems.com

Sales: +1 347 719 4508
Support: +1 347 719 4508

1309 Coffeen Ave
Ste 1200
Sheridan
WY 82801
USA

EMEA

sales@assured-systems.com

Sales: +44 (0)1785 879 050
Support: +44 (0)1785 879 050

Unit A5 Douglas Park
Stone Business Park
Stone
ST15 0YJ
United Kingdom

VAT Number: 120 9546 28
Business Registration Number: 07699660