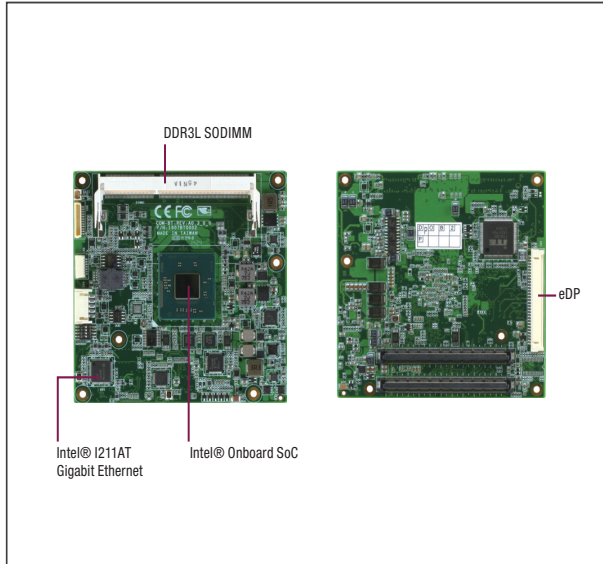


COM-BT

COM Express Type 6 with Intel® Atom™/ Celeron® Processor SoC

COM Express CPU Modules



Features

- Intel® Atom™/ Celeron® Processor SoC
- DDR3L 1066/1333 MHz SODIMM x 1, Up to 8 GB
- Gigabit Ethernet with Intel(R) i210
- VGA, Up to 24-bit Dual-channel LVDS, eDP (Optional), up to DDI x 2 (Share w/ eDP LVDS)
- High Definition Audio Interface
- SATA2 x 2
- USB 2.0 x 7, USB 3.2 Gen 1 x 1
- PCI-Express [x1] x 3
- COM Express Compact Module, Pin-out Type 6, COM.0 Rev. 2.1
- Supports Industrial Temperature



Specifications

System	
Form Factor	COM Express Compact Size, Type 6
CPU	Intel® Atom™/ Celeron® Processor
CPU Frequency	Up to J1900 (2.0 GHz)
Chipset	Intel® Atom™/ Celeron® SoC
Memory Type	DDR3L, SO-DIMM x 1
Max. Memory Capacity	8 GB
BIOS	AMI BIOS
Wake on LAN	Yes
Watchdog Timer	255 Levels
Power Requirement	+12 V and +5 VSB for ATX, +12V for AT
Power Supply Type	AT/ATX
Power Consumption (Typical)	0.92A@12V, full load, J1900
Dimension (L x W)	3.74" x 3.74" (95mm x 95mm)
Operating Temperature	32°F ~ 140°F (0°C ~ 60°C) -40°F ~ 185°F (-40°C ~ 85°C) Option
Storage Temperature	-40°F ~ 185°F (-40°C ~ 85°C)
Operating Humidity	0% ~ 90% relative humidity, non-condensing
Certification	CE/FCC Class A
Display	
Graphic Controller	Intel® HD Graphic
Video Output	3 Simultaneous Display: Single/Dual Channel LVDS (18/24bit), VGA, DDI (Up to 2x DDI shared with LVDS)
I/O	
Ethernet	Intel® i210AT GbE x 1
Audio	High Definition Audio Interface
USB Port	USB 2.0 x 7, USB 3.2 Gen 1 x 1
Serial Port	2-Wire UART (Tx/Rx) x 2
HDD Interface	SATA x 2
Expansion Slot	PCIe[x1] x 3 LPC SMBus I2C
GPIO	8-bit
Onboard Storage	—
TPM	—

Packing List

- COM-BT-A30 x1

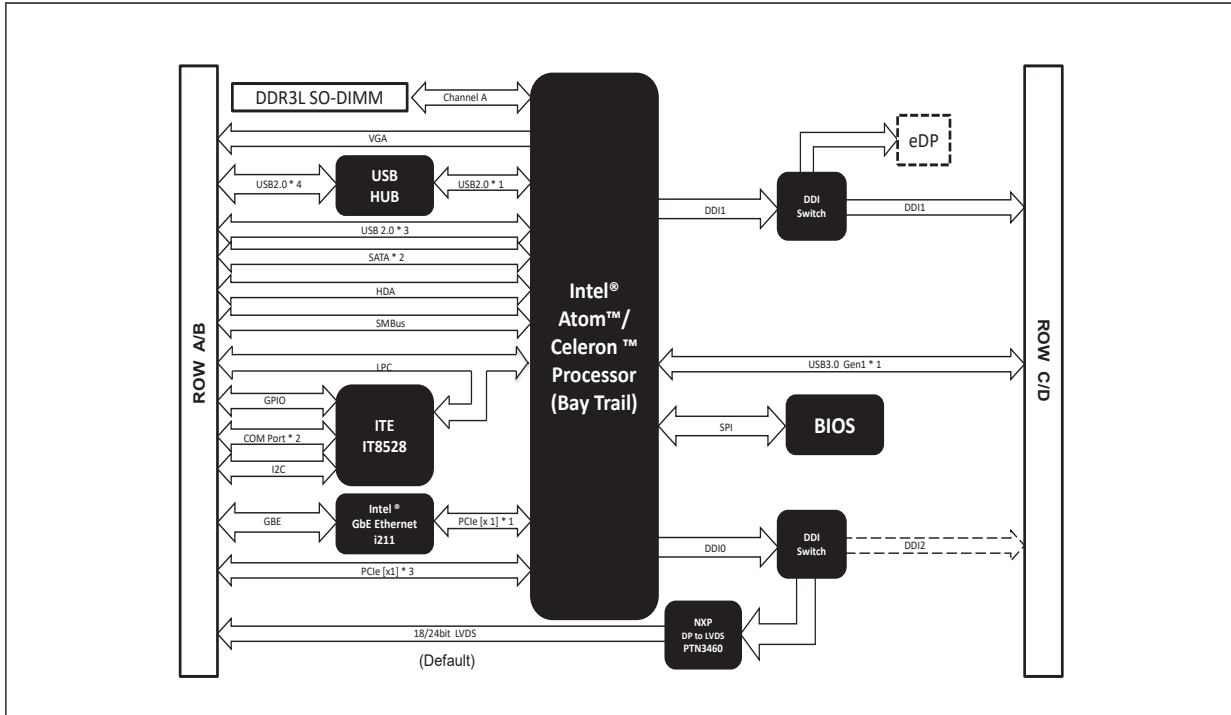
Optional Accessories

- **ECB-920A-A11-0001**
COMe Type 6/10, Carrier Board, ATX, 2.5GbE, 8USB, 2COM, 4SATA, PCIe, AT/ATX, Rev. A1.1
- **PER-A126**
Heat Spreader, For COM-BT, Onboard CPU
- **COM-BT-HSK01**
Heat Sink, 95 x 95 x 22mm, Silver, COM-BT
- **COM-FAN02**
CPU Cooler, 95 x 95 x 26.5mm, Silver, use with HSP

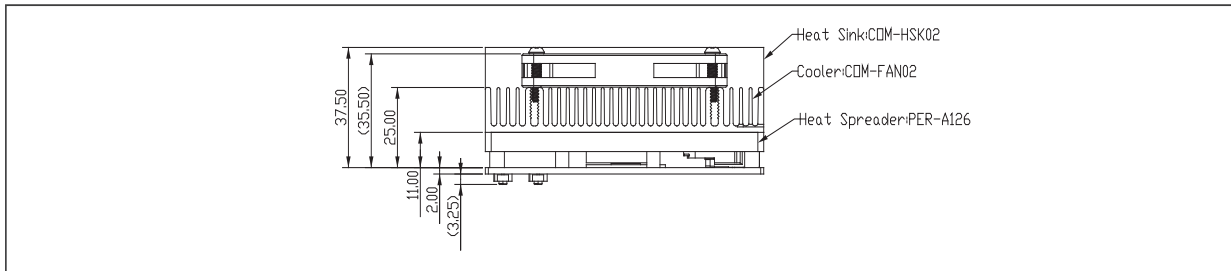
CPU Support Chart

CPU	Core/Thread	Base Frequency/Turbo	TDP	Graphic
N2930	4C/4T	1.83GHz / 2.16GHz	7.5W	Intel® HD Graphics
N2807	2C/2T	1.58GHz / 2.16GHz	4.3W	Intel® HD Graphics
E3845	4C/4T	1.91GHz	10W	Intel® HD Graphics
E3825	2C/2T	1.33GHz	6W	Intel® HD Graphics
E3815	1C/1T	1.46GHz	5W	Intel® HD Graphics
J1900	4C/4T	2.00GHz / 2.42GHz	10W	Intel® HD Graphics

Block Diagram Unit: mm



Dimension Unit: mm



Ordering Information

PART NUMBER	COM EXPRESS TYPE	CPU	MEMORY	DISPLAY	LVDS	STORAGE	LAN	USB	UART	EXPANSION	POWER	TEMPERATURE	OTHERS
COM-BT-A30-0001	Type 6 (COM.0 Rev. 2.1)	N2930 (1.83 GHz)	DDR3L1066/1333, Max. 8 GB	LVDS/eDP, VGA, DDI (2nd DDI shared with LVDS/eDP)	18/24b 2CH LVDS	SATA2 x 2	GbE x 1	USB 3.2 Gen 1 x 1 USB 2.0 x 7	2 (Tx/Rx)	PCI-Express [x1] x 3	12V	0°C - 60°C	LPC, SMBus, I2C
COM-BT-A30-0003	Type 6 (COM.0 Rev. 2.1)	E3845 (1.91 GHz)	DDR3L1066/1333, Max. 8 GB	LVDS/eDP, VGA, DDI (2nd DDI shared with LVDS/eDP)	18/24b 2CH LVDS	SATA2 x 2	GbE x 1	USB 3.2 Gen 1 x 1 USB 2.0 x 7	2 (Tx/Rx)	PCI-Express [x1] x 3	12V	0°C - 60°C	LPC, SMBus, I2C

Note: All specifications are subject to change without notice.

Assured Systems

Assured Systems is a leading technology company with over 1,500 regular clients in 80 countries, deploying over 85,000 systems to a diverse customer base in 12 years of business. We offer high-quality and innovative rugged computing, display, networking and data collection solutions to the embedded, industrial, and digital-out-of-home market sectors.

US

sales@assured-systems.com

Sales: +1 347 719 4508
Support: +1 347 719 4508

1309 Coffeen Ave
Ste 1200
Sheridan
WY 82801
USA

EMEA

sales@assured-systems.com

Sales: +44 (0)1785 879 050
Support: +44 (0)1785 879 050

Unit A5 Douglas Park
Stone Business Park
Stone
ST15 0YJ
United Kingdom

VAT Number: 120 9546 28
Business Registration Number: 07699660