

ACP-1078

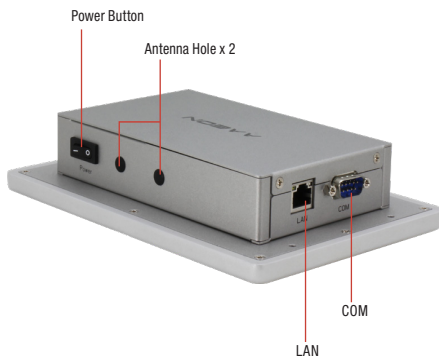
7" WSVGA Android Based Panel PC with Rockchip™ RK3568

All in One Panel PC Solutions: ACP Series

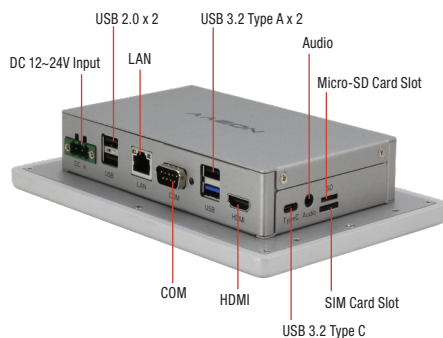
Front View



Top View



Bottom View



Features

- 7" WSVGA (1024 x 600) Color TFT LCD Display
- RICO-3568
- Projected Capacitive Touch Screen
- IP65 Compliant Aluminum Front Bezel
- Fanless System
- VESA/Panel Mount Support
- LAN x 2, COM x 2, USB 3.2 Gen1 (Type A) x 2, USB 2.0 x 2
- USB 3.2 Gen1 (Type C) x 1
- HDMI x 1, Audio x 1
- Full-size mini-PCIe Slot x 1
- DC 12~24V



System	
Processor	Rockchip™ RK3568 Quad-Core Arm® Cortex®-A55 Processor
System Memory	LPDDR4 2GB/4GB (Optional)
LCD/CRT controller	—
Ethernet	10/100/1000 Base TX x2
I/O Port	LAN x 2 COM x 2 USB 3.2 Gen 1 (Type C OTG) x 1 (For System Recovery) USB 3.2 Gen 1 x 2 USB 2.0 x 2 HDMI x 1 Audio x 1
Storage Disk Drive	16GB eMMC and Micro-SD card
Expansion Slot	Full-size mini-PCIe slot x 1 (PCIe 3.0 [x1] or mSATA)
OS support	Android™ 12 / Debian
Mechanical	
Construction	Aluminum Front Bezel + Metal Chassis
Mounting	VESA / Panel Mount
Dimension	7.7" x 5.3" x 1.5" (196.5mm x 135mm x 40mm)
Carton Dimension	11.0" x 8.7" x 6.1" (280mm x 220mm x 154mm)
Gross Weight	2.2 lb. (1.0Kg)
Environmental	
Operating Temperature	23°F ~131°F (-5°C ~ 50°C) with 0.5 m/s airflow
Storage Temperature	-4°F ~ 140°F (-20°C ~ 60°C)
Storage Humidity	90% @40°C; non-condensing
Vibration	1Grms / 5~ 500Hz / operation
Shock	15 G peak acceleration (11 msec. duration)
EMC	CE/FCC Class A Compatible
Power Supply	
DC Input	DC 12~24V
LCD	
Display Type	7" WSVGA (1024 x 600) Color TFT LCD Display
Max Resolution	1024 x 600
Max. Colors	16.7M
Luminance	320 nits
Viewing Angle	145° (H) ; 150° (V)
Back Light	LED
Back Light MTBF (Hours)	20,000 Hrs
Touchscreen	
Type	Projected Capacitive Multi-Touch
Light Transmission	90%

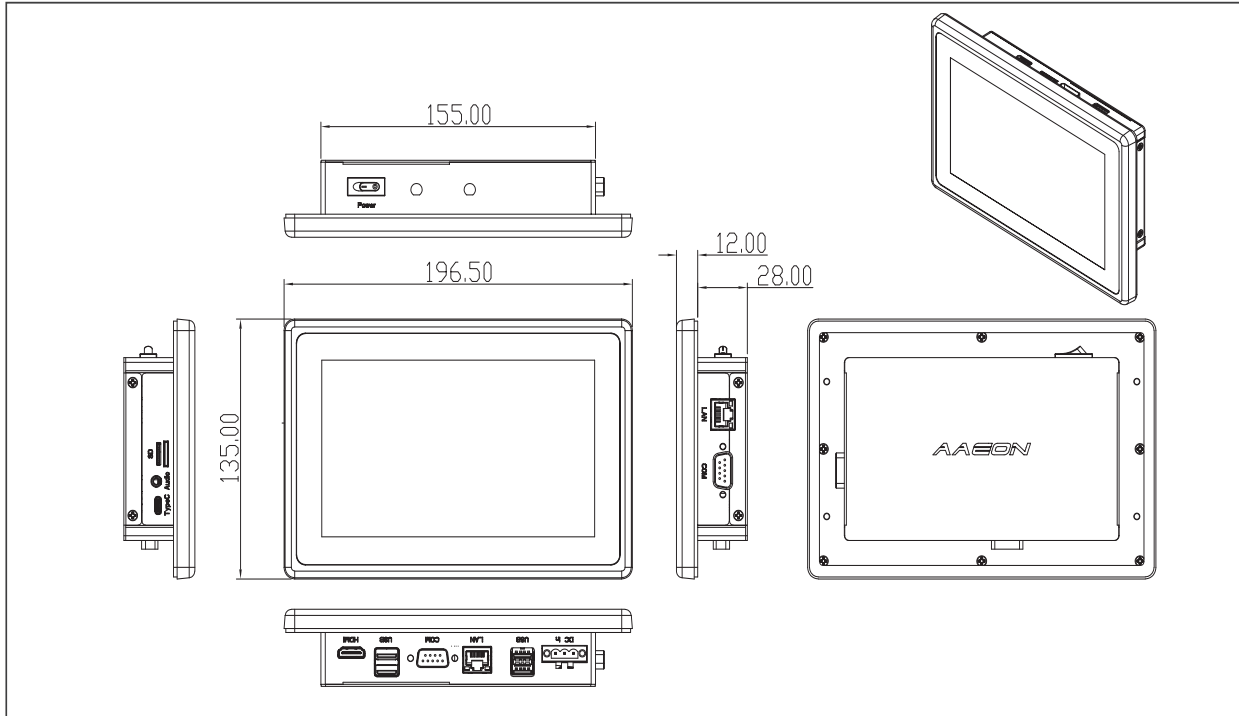
ACP-1078

04

All in One Panel PC Solutions: ACP Series

Dimension

Unit: mm



Packing List

- ACP-1078
- Panel Mount /Vesa Mount Kit
- Screw Pack

Optional Accessories

Part Number	Description
1255900603	Power Adapter
170X000799	Power Cord (US Type)
170X000800	Power Cord (European Type)
170X000803	Power Cord (Japanese Type)
M041073020	Stand Kit

Ordering Information

Part Number	Display Type	Resolution	Luminance	View Angle	Backlight MTBF	CPU	LAN	USB	RS-232	RS-232/422/485	Storage	RAM	Display	Expansion	Mounting	Power	Temp	Touch
ACP-1078HTT-A1-1010	7" TFT LCD	1024 x 600	320 cd/m ²	150°(H) / 145°(V)	20,000	RICO-3568	2	4	1	1	32GB eMMC	LPDDR4 2GB	HDMI x1	Full Size MiniCard x1	VESA / Panel Mount	DC 12-24V	-5°C~50°C	Projected Capacitive Touch
ACP-1078HTT-A2-1010	7" TFT LCD	1024 x 600	320 cd/m ²	150°(H) / 145°(V)	20,000	RICO-3568	2	4	1	1	32GB eMMC	LPDDR4 4GB	HDMI x1	Full Size MiniCard x1	VESA / Panel Mount	DC 12-24V	-5°C~50°C	Projected Capacitive Touch
ACP-1078HTT-A3-1010	7" TFT LCD	1024 x 600	320 cd/m ²	150°(H) / 145°(V)	20,000	RICO-3568	2	4	1	1	32GB eMMC	LPDDR4 8GB	HDMI x1	Full Size MiniCard x1	VESA / Panel Mount	DC 12-24V	-5°C~50°C	Projected Capacitive Touch

Assured Systems

Assured Systems is a leading technology company with over 1,500 regular clients in 80 countries, deploying over 85,000 systems to a diverse customer base in 12 years of business. We offer high-quality and innovative rugged computing, display, networking and data collection solutions to the embedded, industrial, and digital-out-of-home market sectors.

US

sales@assured-systems.com

Sales: +1 347 719 4508
Support: +1 347 719 4508

1309 Coffeen Ave
Ste 1200
Sheridan
WY 82801
USA

EMEA

sales@assured-systems.com

Sales: +44 (0)1785 879 050
Support: +44 (0)1785 879 050

Unit A5 Douglas Park
Stone Business Park
Stone
ST15 0YJ
United Kingdom

VAT Number: 120 9546 28
Business Registration Number: 07699660