

# AR-DP100VW

10.2-Inch(16:9) Display Monitor with VGA, USB Touch Screen and DC 9-32V Input for Car PC and In-Vehicle Application



## Features



- ✓ 10.2-Inch(16:9) Wide Screen
- ✓ LED Backlight with Low Power Consumption
- ✓ Resistive Touch Screen
- ✓ VESA75 Mounting and Stand
- ✓ DC 9-32V Power Input

In-Vehicle Computer

## Specification

### Panel

<b>Panel Size</b>	10.2-Inch Screen (16:9)
<b>Resolution</b>	Supports from 640 x 480~1024 x 768 pixels
<b>Luminance (cd/m2)</b>	400 nits
<b>View Angle (H/V)</b>	H:140 / V:120
<b>Backlight Lifetime</b>	30,000 hours
<b>Touch Screen Type</b>	4-wire resistive

### I/O

<b>Video Interface</b>	1 x VGA
<b>USB</b>	1 x USB for Touch Screen
<b>Audio</b>	1 x 3.5mm stereo Jack

### Power Requirement

<b>Power Input</b>	DC 9~32V
--------------------	----------

### Software

<b>Touch Driver Support</b>	Windows: Vista, 9X, Me, NT4.0, 2000, XP, CE.net, CE 2.12, CE 3.0, Embedded, Dos. Mac: Mac OS 9X, OS X (Intel CPU). Linux: Linux Readme, Mandrake, Red Hat, Fedora Core, SuSE, Debian, Ubuntu, Yellow Dog
-----------------------------	--

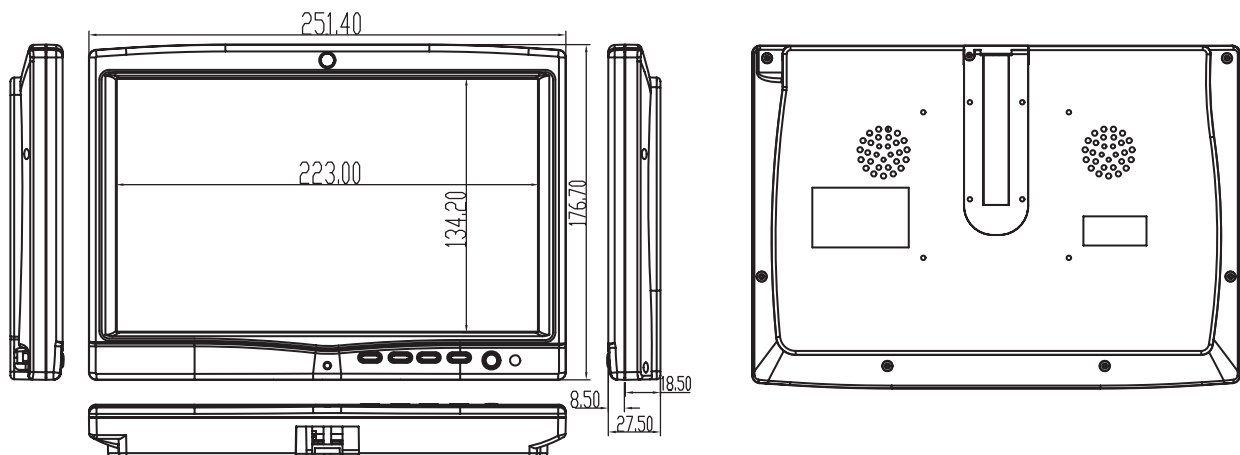
### Mechanical & Environment

<b>Chassis Material</b>	Plastic
<b>Dimension (W x H x D)</b>	251.5 x 176.7 x 27.5 mm (W x H x D)
<b>Mounting</b>	VESA 75, Metal Stand
<b>Operating Temp.</b>	-30~85°C
<b>Storage Temp.</b>	-40~85°C
<b>Relative Humidity</b>	-
<b>Safety</b>	CE, FCC

### Packing List

- User Manual x 1
- Metal Stand x 1
- All-in-One Cable x 1 (VGA / USB / DC Jack / Audio)
- Remote Controller x 1
- Touch Driver CD x 1
- Touch Stylus x 1
- Car Cigarette Lighter Adapter x 1
- AC Switching Power Supply x 1

### Dimension



## Assured Systems

Assured Systems is a leading technology company with over 1,500 regular clients in 80 countries, deploying over 85,000 systems to a diverse customer base in 12 years of business. We offer high-quality and innovative rugged computing, display, networking and data collection solutions to the embedded, industrial, and digital-out-of-home market sectors.

### US

[sales@assured-systems.com](mailto:sales@assured-systems.com)

Sales: +1 347 719 4508  
Support: +1 347 719 4508

1309 Coffeen Ave  
Ste 1200  
Sheridan  
WY 82801  
USA

### EMEA

[sales@assured-systems.com](mailto:sales@assured-systems.com)

Sales: +44 (0)1785 879 050  
Support: +44 (0)1785 879 050

Unit A5 Douglas Park  
Stone Business Park  
Stone  
ST15 0YJ  
United Kingdom

VAT Number: 120 9546 28  
Business Registration Number: 07699660