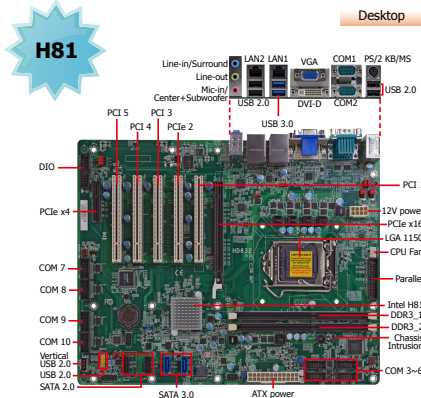


DFI HD632-H81 ATX

HD632-H81 ATX DFI



Features

- CHIPSET** Intel® H81
CPU 4th Generation Intel® Core™ processors
MEMORY 2 DDR3/DDR3L DIMM up to 16GB
EXPANSION 1 PCIe x16
 1 PCIe x4
 5 PCI
DISPLAY OUTPUTS 1 VGA, 1 DVI-D
LAN 2 Gigabit LAN ports
COM 10 COM
USB 9 USB: 2 USB 3.0, 7 USB 2.0
STORAGE 4 SATA: 2 SATA 3.0, 2 SATA 2.0
PARALLEL 1 Parallel
DIO 8-bit DIO



Vertical USB port for securing USB flash drive

Specifications

- PROCESSOR**
 • LGA 1150 socket for:
 - 4th Generation Intel® Core™ processors (22nm process technology)
 : Intel® Core™ i3-4330 (3M Cache, 3.5 GHz); 54W
 : Intel® Core™ i3-4330TE (3M Cache, up to 2.4 GHz); 35W
 : Intel® Pentium® G3420 (3M Cache, 3.2 GHz); 54W
 : Intel® Pentium® G3320TE (3M Cache, 2.3 GHz); 35W

- CHIPSET**
 • Intel® H81 Express Chipset

- SYSTEM MEMORY**
 • Two 240-pin DDR3/DDR3L DIMM sockets
 • Supports DDR3/DDR3L 1066/1333/1600MHz
 • Supports dual channel memory interface
 • Supports up to 16GB system memory
 • DRAM device technologies: 1Gb, 2Gb and 4Gb DDR3 DRAM technologies are supported for x8 and x16 devices, unbuffered, non-ECC

- EXPANSION SLOTS**
 • 1 PCIe x16 Gen 2 slot (PCIe 2.0)
 • 1 PCIe x4 Gen 2 slot (PCIe 2.0)
 • 5 PCI slots (PCI 2.3)

- ONBOARD GRAPHICS FEATURES**
 • Intel® HD Graphics
 • Display ports: VGA and DVI-D
 • VGA and DVI-D supports up to 1920x1200 @ 60Hz resolution
 • Supports 6 Graphics Execution Units (EUs)
 • Intel® Clear Video Technology
 • DirectX Video Acceleration (DXVA) support for accelerating video processing

- ONBOARD AUDIO FEATURES**
 • Realtek ALC886 5.1-channel High Definition Audio
 • Audio outputs: Mic-in/Center+Subwoofer, line-in/surround and line out
 • 5/PDIF audio interface

- ONBOARD LAN FEATURES**
 • Intel® I210 PCI Express Gigabit Ethernet controller
 • Intel® I217LM Gigabit Ethernet Phy
 • Integrated 10/100/1000 transceiver
 • Fully compliant with IEEE 802.3, IEEE 802.3u, IEEE 802.3ab

- SERIAL ATA (SATA) INTERFACE**
 • 2 SATA 3.0 ports with data transfer rate up to 6Gb/s
 • 2 SATA 2.0 ports with data transfer rate up to 3Gb/s
 • Integrated Advanced Host Controller Interface (AHCI) controller

- TRUSTED PLATFORM MODULE (TPM) - optional**
 • Provides a Trusted PC for secure transactions
 • Provides software license protection, enforcement and password protection

Packing List

- 1 HD632 motherboard
- 1 Serial ATA data cable
- 1 I/O shield
- 1 DVD
- 1 QR (Quick Reference)

4th Generation Intel® Core™ Processors

- REAR PANEL I/O PORTS**
 • 1 mini-DIN-6 port for PS/2 mouse/keyboard
 • 2 DB-9 RS232 serial ports (RS232 and/or power)
 • 1 VGA port
 • 1 DVI-D port
 • 2 RJ45 LAN ports
 • 2 USB 3.0/2.0/1.1 ports
 • 4 USB 2.0/1.1 ports
 • Line-in/Surround, Line out, Mic-in/Center+Subwoofer jacks

- I/O CONNECTORS**
 • 1 connector for 2 external USB 2.0/1.1 ports
 • 1 vertical USB 2.0/1.1 port
 • 1 8-bit Digital I/O connector
 • 1 Digital I/O power connector
 • 8 connectors for 8 external serial ports
 - 7 RS232 (4 are optional)
 - 1 RS422/485
 • 1 front audio connector for line-out and mic-in jacks
 • 1 S/PDIF connector
 • 1 parallel port
 • 4 Serial ATA ports
 • 1 24-pin ATX power connector
 • 1 8-pin 12V power connector
 • 1 chassis intrusion connector
 • 1 front panel connector
 • 3 fan connectors

- BIOS**
 • AMI BIOS
 - 64Mbit SPI BIOS

- WATCHDOG TIMER**
 • Software programmable from 1 to 255 seconds

- ENERGY EFFICIENT DESIGN**
 • Supports ErP Lot6 power saving (optional)
 • Supports ACPI
 • System Power Management
 • Wake-On-Events include:
 - Wake-On-PS/2 KB/Mouse
 - Wake-On-USB KB/Mouse
 - Wake-On-LAN
 - RTC timer to power-on the system
 • CPU stopped clock control
 • AC power failure recovery

- DAMAGE FREE INTELLIGENCE**
 • Monitors CPU/system temperature and overheat alarm
 • Monitors VCore/5V/3.3V/V_DIMM/12V/5VSB voltages and failure alarm
 • Monitors CPU/system fan speed and failure alarm
 • Read back capability that displays temperature, voltage and fan speed

- POWER CONSUMPTION**
 • TBD

- OS SUPPORT**
 • Windows XP Professional x86 & SP3 (32-bit)
 • Windows XP Professional x64 & SP2 (64-bit)
 • Windows 7 Ultimate x86 & SP1 (32-bit)
 • Windows 7 Ultimate x64 & SP1 (64-bit)
 • Windows 8 Enterprise x86 (32-bit)
 • Windows 8 Enterprise x64 (64-bit)

- TEMPERATURE**
 • Operating: 0°C to 60°C
 • Storage: -20°C to 85°C

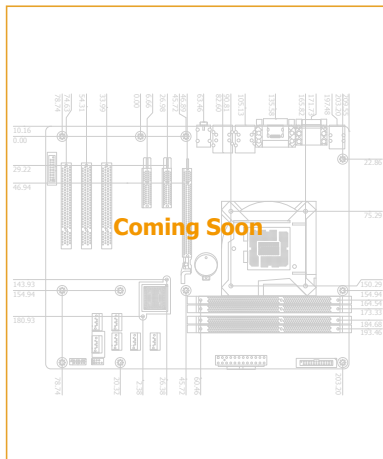
- HUMIDITY**
 • 5% to 90%

- DIMENSIONS**
 • ATX form factor
 • 305mm (12") x 244mm (9.6")

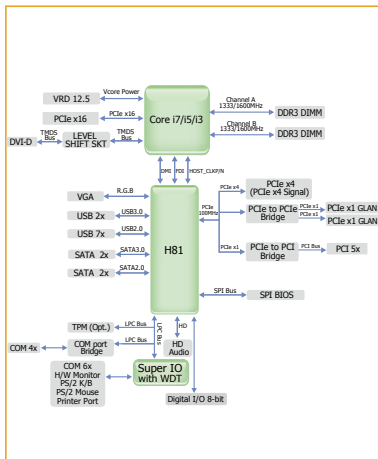
Optional Items

- USB port cable
- COM port cable
- Serial ATA data cable
- Serial ATA power cable
- I/O shield

Mechanical Drawing



Block Diagram



Assured Systems

Assured Systems is a leading technology company with over 1,500 regular clients in 80 countries, deploying over 85,000 systems to a diverse customer base in 12 years of business. We offer high-quality and innovative rugged computing, display, networking and data collection solutions to the embedded, industrial, and digital-out-of-home market sectors.

US

sales@assured-systems.com

Sales: +1 347 719 4508
Support: +1 347 719 4508

1309 Coffeen Ave
Ste 1200
Sheridan
WY 82801
USA

EMEA

sales@assured-systems.com

Sales: +44 (0)1785 879 050
Support: +44 (0)1785 879 050

Unit A5 Douglas Park
Stone Business Park
Stone
ST15 0YJ
United Kingdom

VAT Number: 120 9546 28
Business Registration Number: 07699660