

# WMP-176

17" Core i High Performance Medical Panel PC



## Key Features

- Powerful Intel Core i5 2.3G & Celeron dual core 1.6G processor
- 17" 1280x1024 380 nits LCD & resistive touch panel
- PCI-E/PCI expansion and two mini-PCIe sockets
- Anti-bacteria plastic housing and medical 60601-1 3<sup>rd</sup> edition certification
- Variable speed low noise fan and HDD anti-vibration design
- Optional internal battery pack for 20 minutes operating
- Optional Wifi, Webcam and Bluetooth
- Customization for LAN/COM isolation, change touch to glass
- Support RS485 auto flow control function

## Main System

<b>CPU</b>	<ul style="list-style-type: none"> <li>• Intel Core i5-2410M 2.3GHz (dual core, 3MB cache)</li> <li>• Intel Celeron B810 1.6GHz (dual core, 2MB cache)</li> <li>• Support PGA988 socket, 35W TDP</li> </ul>
<b>Chipset</b>	Intel BD82HM65 PCH
<b>Graphics</b>	<ul style="list-style-type: none"> <li>• Core i5-2410M: Intel HD Graphics HD 3000</li> <li>• Celeron B810: Intel HD Graphics</li> </ul>
<b>Memory</b>	8GB maximum, x 2 DDR3 SODIMM, 1066/1333MHz, 2GB/4GB/8GB
<b>Serial ATA</b>	SATA3 x 2, 600MB/s transfer rate
<b>USB</b>	x 7 (socket), USB 2.0 (x 4 external, x 3 internal)
<b>COM</b>	x 6 (x 2 external, x 4 internal)
<b>Audio</b>	Realtek ALC262 audio codec, 2+2 watts amplifier
<b>LAN</b>	Marvell 88E8071 Gigabit Ethernet x 2
<b>BIOS</b>	<ul style="list-style-type: none"> <li>• AMI BIOS, 4M EEPROM</li> <li>• RTC wake up / Wake on LAN / Power on after power failure / PnP / ACPI</li> <li>• Support RS485 Auto flow control function</li> </ul>
<b>Speaker</b>	2 watts x 2 (front bottom)

## LCD Panel

<b>Size</b>	17" 5:4
<b>Resolution</b>	1280 x 1024 (SXGA)
<b>Brightness</b>	380 nits
<b>Contrast</b>	1000:1
<b>Color numbers</b>	16.7M (6-bit x 3 + FRC)
<b>Viewing angle</b>	170 (H) / 160 (V)
<b>Response time</b>	5 ms (R + F)
<b>Backlight</b>	CCFL x 2, 50,000 hours life time

## Touch Panel

<b>Technology</b>	Resistive touch, 5-wire
<b>Light transmittance</b>	81 ± 3%
<b>Hardness</b>	≥ 3H
<b>Touch stylus</b>	No limitation
<b>Resolution</b>	4096 x 4096
<b>Life time</b>	35 million activations

## I/O Connectors

## Storage & Expansion

<b>HDD</b>	2.5" SATA HDD drive bay x 1 + anti-vibration kit, 160GB / 500GB
<b>Expansion slot</b>	<ul style="list-style-type: none"> <li>• PCI-E (x16) x 1 or PCI x 1 (Optional)</li> <li>• Card size: (100 x 155 x 18/0.5 mm or 68 x 220 x 18.5/0.5 mm)</li> <li>• Mini PCIe x 2 (52 pin card-edge type)</li> </ul>

## I/O & Control Keys

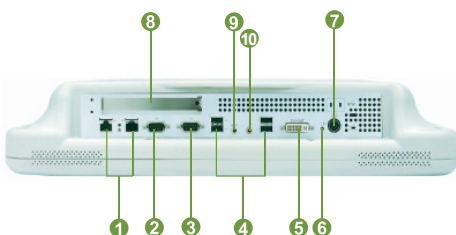
<b>USB</b>	USB 2.0 x 4
<b>COM</b>	DB-9 x 2 (RS232, RS232/422/485:Support RS485 Auto flow control function)
<b>LAN</b>	RJ-45 x 2, Gigabit
<b>Video-out</b>	DVI-I x 1
<b>Audio</b>	Line-out, Microphone-in (3.5 mm phone-jack)
<b>Power input</b>	DC-in x 1, 6V~32V
<b>Control keys</b>	<ul style="list-style-type: none"> <li>• Front side, membrane type</li> <li>• Power on/off, Brightness, Audio volume</li> </ul>

## Power

<b>Power adaptor</b>	External, 100 watts, 90~264V AC in, 12V DC out, medical grade, 1.2m DC cable
<b>Power consumption</b>	91.44 W (Full loading) / 24.7 W (S3 standby)
<b>Internal battery (optional)</b>	<ul style="list-style-type: none"> <li>• Li-Ion, 28Wh, for 20 minutes operating (approx.), 2S2P</li> <li>• Charge time: 2 hours (system off), 3.5 hours (system on)</li> </ul>
<b>System power input</b>	DC12V, others by optional DC-DC adaptor

## Mechanical & Environmental

<b>Housing</b>	<ul style="list-style-type: none"> <li>• Plastic front bezel, rear cover / White color</li> <li>• Antibacterial coating</li> </ul>
<b>IP rating</b>	IP65 – front side
<b>Cooling</b>	Variable speed smart fan design, < 30 dB (typical)
<b>Mounting</b>	VESA 75 x 75 / 100 x 100 mm
<b>Kensington lock</b>	Yes, x 1 at bottom
<b>Dimension</b>	420 x 360 x 83 mm (W x H x D, w/o stand)
<b>Weight (net)</b>	6.5 Kg (approximate, w/o power adaptor)
<b>Temperature</b>	• Operating – 0°C~40°C    Storage – -20°C~60°C
<b>Humidity</b>	Operating & storage – 10%~90%, non-condensing
<b>Regulatory</b>	<ul style="list-style-type: none"> <li>• FCC-B, cUL, CE, VCCI</li> <li>• Medical 60601-1 3<sup>rd</sup> edition (EN 60601-1:2006, ANSI/AAMI ES60601-1:2005, CAN/CSA C22.2 No. 60601-1:08)</li> </ul>

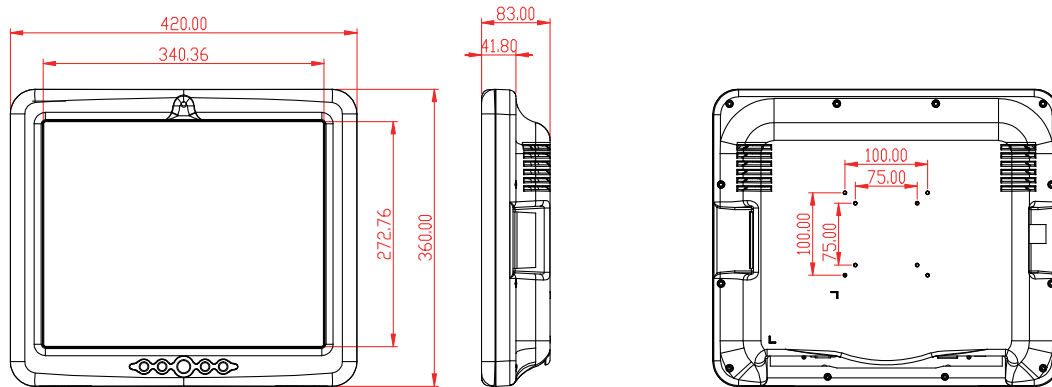


- |                 |                       |
|-----------------|-----------------------|
| ① LAN x 2       | ⑥ Reset               |
| ② RS232/422/485 | ⑦ DC-in               |
| ③ RS232         | ⑧ PCI-E/PCI expansion |
| ④ USB x 4       | ⑨ Line-out            |
| ⑤ DVI- I        | ⑩ Microphone-in       |

# WMP-176

17" Core i High Performance Medical Panel PC

## Outline Dimension



## Packaging / Options / Customization

- Packaging** System, power adaptor, AC power cord, CD (drivers & manual)
- Options**
- WLAN – 802.11 a/b/g/n mini PCIe module w/ internal antenna x 2
  - Bluetooth 2.1 (USB)
  - Webcam (2M pixel, USB)
  - Battery pack
  - Power adaptor w/ 2.4m or 3.6m DC cable
  - Anti-bacteria desktop stand (metal, white)
  - Expansion slot (PCI-E or PCI)
  - IO Cover
  - PCI-Ex16 VGA card
- Customization**
- Add extra two COM ports
  - LAN isolation x 1
  - Add COM isolation x 2 module (use expansion slot area)
  - Change touch to glass



## Ordering Information

- CPU: Core i5 2.3G / Celeron 1.6G
- Memory: 2G / 4G / 8G
- HDD: 160G / 500G
- Power adaptor: 1.2m / 2.4m / 3.6m DC cable
- Wifi: None / x 1
- Bluetooth: None / x 1
- Webcam: None / x 1
- Battery pack: None / x 1
- Desktop stand: None / x 1
- Expansion: None / PCI-E / PCI
- IO Cover: None / x 1



Web: [www.wincomm.com.tw](http://www.wincomm.com.tw)

Contact: [sales\\_support@wincomm.com.tw](mailto:sales_support@wincomm.com.tw)

### Wincomm Corporation

3F, NO. 14, Prosperity Road II, Science-Based Industrial Park,  
Hsinchu, Taiwan 30078, R.O.C

Tel: +886 3 578 0000 Fax: +886 3 578 0295

## Assured Systems

Assured Systems is a leading technology company with over 1,500 regular clients in 80 countries, deploying over 85,000 systems to a diverse customer base in 12 years of business. We offer high-quality and innovative rugged computing, display, networking and data collection solutions to the embedded, industrial, and digital-out-of-home market sectors.

### US

[sales@assured-systems.com](mailto:sales@assured-systems.com)

Sales: +1 347 719 4508  
Support: +1 347 719 4508

1309 Coffeen Ave  
Ste 1200  
Sheridan  
WY 82801  
USA

### EMEA

[sales@assured-systems.com](mailto:sales@assured-systems.com)

Sales: +44 (0)1785 879 050  
Support: +44 (0)1785 879 050

Unit A5 Douglas Park  
Stone Business Park  
Stone  
ST15 0YJ  
United Kingdom

VAT Number: 120 9546 28  
Business Registration Number: 07699660