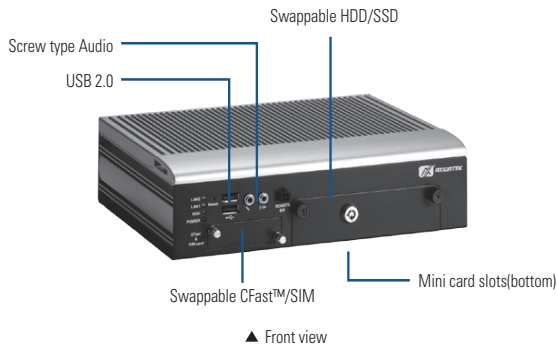


tBOX323-835-FL

Fanless Embedded System with Intel® Atom™ Processor E3845 Quad Core™ (1.91 GHz) for Railway PC



Specifications

Standard Color	Silver-Black				
Construction	Aluminum extrusion and heavy-duty steel				
CPU	Intel® Atom™ processor E3845 (4C@1.91GHz)				
System Memory	DDR3L-1333, 4 GB memory				
Chipset	SoC integrated				
BIOS	AMI				
System I/O Outlet	<table border="0"> <tr> <td>Rear Side</td> <td> 2 x GbE LAN (M12 A-coded) 4 x isolated RS-422/485 (terminal) 1 x RS-232 (DB9) 1 x isolated DI/DO (6-in/2-out) 2 x audio (mic-in/line-out, screw type) 1 x HDMI 1 x VGA 1 x VDC power input (M12 A-coded) 4 x antenna opening 1 x fuse </td> </tr> <tr> <td>Front Side</td> <td> 2 x USB 2.0 1 x audio (mic-in/line-out, screw type) 1 x reset switch 1 x remote power switch 1 x 2.5" SATA drive tray 1 x CFast™ slot + 2 x SIM card sockets </td> </tr> </table>	Rear Side	2 x GbE LAN (M12 A-coded) 4 x isolated RS-422/485 (terminal) 1 x RS-232 (DB9) 1 x isolated DI/DO (6-in/2-out) 2 x audio (mic-in/line-out, screw type) 1 x HDMI 1 x VGA 1 x VDC power input (M12 A-coded) 4 x antenna opening 1 x fuse	Front Side	2 x USB 2.0 1 x audio (mic-in/line-out, screw type) 1 x reset switch 1 x remote power switch 1 x 2.5" SATA drive tray 1 x CFast™ slot + 2 x SIM card sockets
Rear Side	2 x GbE LAN (M12 A-coded) 4 x isolated RS-422/485 (terminal) 1 x RS-232 (DB9) 1 x isolated DI/DO (6-in/2-out) 2 x audio (mic-in/line-out, screw type) 1 x HDMI 1 x VGA 1 x VDC power input (M12 A-coded) 4 x antenna opening 1 x fuse				
Front Side	2 x USB 2.0 1 x audio (mic-in/line-out, screw type) 1 x reset switch 1 x remote power switch 1 x 2.5" SATA drive tray 1 x CFast™ slot + 2 x SIM card sockets				
Watchdog Timer	255 levels, 0 ~ 255 seconds/minutes				
Storage	1 x 2.5" SATA HDD(Suspension designed, HDD height support 7/9.5/12.5/15mm) 1 x CFast™ (front accessible)				
Expansion Interface	3 x PCI Express Mini Card with 2 x SIM card slots (two front accessible) One PCIe mini card support mSATA				
System Indicator	1 x green LED for HDD active 1 x yellow LED for LAN1 active 1 x yellow LED for LAN2 active 1 x red LED for Power				
Power Supply	Power input : 12 ~ 32 Vdc (typical 24Vdc)				
Operating Temperature	-40°C ~ +70°C (-40°F ~ +158°F) with W/T SSD -25°C ~ +55°C (-13°F ~ +131°F) with W/T HDD				
Storage Temperature	-40°C ~ +80°C (-40°F ~ +176°F)				
Humidity	5% ~ 95%, non-condensing				

Features

- EN50155, EN50121 certified, EN45545-2 complied
- Fanless operating temperature range of -40°C ~ +70°C (EN50155 class TX)
- Intel® Atom™ Bay Trail-I E3845 4C@1.91GHz
- High performance DDR3L-1333 4 GB memory
- Isolated RS-422/485 and DIO
- Lockable I/O interface and M12 LAN, power connector
- Supports USB 2.0 and SATA2
- Instant fuse repair design
- Suspension 2.5" SATA HDD and one CFast™
- Internal PCI Express Mini Card slot and SIM socket



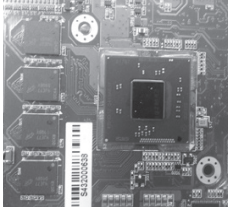
Vibration Endurance	3 Grms with SSD & CFast™ (5-500Hz, X, Y, Z direction; Random) (IEC60068-2-34) 2 Grms with HDD (5-500Hz, X, Y, Z direction; Random) (IEC60068-2-34) , MIL-STD-810G , Method 514.6, Category 4 & 11 & 20
Shock	50G with SSD/CFast™ (operating), MIL-STD-810G Method 516.6, procedure I, peak 20g 11ms
Dimensions	244 mm (9.6") (W) x 180.5 mm (7.1") (D) x 65.1 mm (2.56") (H)
Weight (net/gross)	3 kg (6.61 lb)/ 3.8 kg (8.38 lb)
Certificate	CE, EN50155, EN50121, EN45545-2 compliance
EOS support	WES7/8, Compac2013, Linux

Ordering Information

Standard	
tBOX323-835-FL-DC	Fanless embedded system with Intel® Atom™ E3845 (4C@1.91GHz) for railway PC, 4 GB DDR3-1333, 2 GbE LAN(M12), 1 RS-232, 4 isolated RS-422/485, and CFast™
Optional	
2.5" SATA HDD/SSD	16 GB or above
CFast™	1 GB or above
3G module	
Wi-Fi module	
Wi-Fi & bluetooth	
GPS module	
M12 Gigabit LAN cable	
M12 power cable	
Remote switch cable	

*Specifications and certifications are based on options and may vary.

Expansion & Installation



On board Intel® Atom™ Bay Trail-I (E3845, 4C@ 1.91GHz) processor and 4GB DDR3L-1333 DRAM



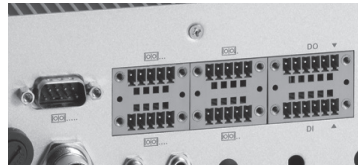
Removable CFast™, SIM slot and suspension 2.5"SATA HDD/SSD



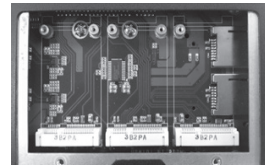
M12 railway power input and two Gigabit LAN connectors



HDMI and VGA display



Isolated RS-422/485 and DIO



3 x Mini Card with 2 x SIM slot

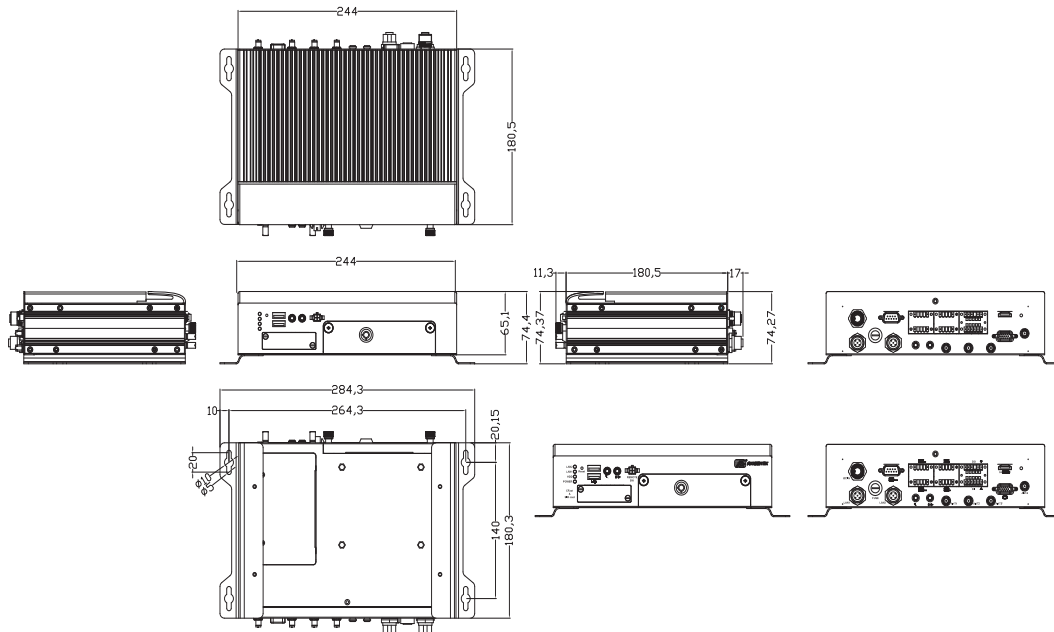
Packing List

- 1 x quick manual
- 1 x driver CD
- 1 x screw pack
- 4 x foot pad
- 1 x wall-mount kit

Power Protection

- DC Version**
- SCP (short circuit protection)
 - OVP (over voltage protection)
 - UVP (under voltage protection)

Dimensions



* All specifications and photos are subject to change without notice.



Overview

Embedded Systems

2
Embedded Systems for Transportation

Embedded Field Controllers

Industrial Firewall

Embedded MicroBoxes

Industrial Barebone Systems

Industrial Chassis

Backplanes

Power Supplies

Peripherals & Accessories

Assured Systems

Assured Systems is a leading technology company with over 1,500 regular clients in 80 countries, deploying over 85,000 systems to a diverse customer base in 12 years of business. We offer high-quality and innovative rugged computing, display, networking and data collection solutions to the embedded, industrial, and digital-out-of-home market sectors.

US

sales@assured-systems.com

Sales: +1 347 719 4508
Support: +1 347 719 4508

1309 Coffeen Ave
Ste 1200
Sheridan
WY 82801
USA

EMEA

sales@assured-systems.com

Sales: +44 (0)1785 879 050
Support: +44 (0)1785 879 050

Unit A5 Douglas Park
Stone Business Park
Stone
ST15 0YJ
United Kingdom

VAT Number: 120 9546 28
Business Registration Number: 07699660