

TPPC 2401

23.8" Full-HD Passenger Information Panel PC
Powered by Intel Atom® x5-E3930 Processor



Main Features

- 23.8" TFT-LCD FHD 16:9 fanless panel computer
- Powered by Intel Atom® x5-E3930 processor, 1.3GHz
- Wide-range DC input of 9V to 36V DC
- Support ignition control for power on/off delay timing management
- Compliant with IP54 on the front panel
- Tempered glass, surface hardness 6H
- 1 x DDR3L up to 8GB, M.2 (2242) B-Key SSD for storage device
- 1 x mini-PCIe expansion available for wireless communication
- CE/FCC/E/e-Mark

Product Overview

The 23.8" fanless panel pc, TPPC 2401 is a 23.8" 16:9 TFT-LCD with resolutions to 1920 x 1080 (Full-HD) and industrial motherboard making it the perfect "AIO" in transit panel PC solution. Wide-range power input (9V-36V DC) can let TPPC 2401 to be capable of setting up in various application environment and vehicles, which is included in retail outlets, supermarkets, train station, airport and bus. It is compliant to in-vehicle industrial standard, like E/e-Mark.

Specifications

LCD Panel

- LCD size: Innolux 23.8,16:9
- Resolution: Full-HD, 1920 x 1080
- Luminance: 350 nits cd/m2
- Contrast ratio: 1,000
- LCD color: 16.7M
- View angle: 178 (H), 178 (V)
- Backlight: LED

System

- Intel Atom® x5 E3930 processor, 1.3GHz (burst mode: 1.8GHz)

System Front

- 1 x Ambient light sensor

Main Memory

- 1 x 204-pin DDR3L SO-DIMM socket, up to 8GB. Support up to 1866 Mhz, non-ECC and unbuffered memory

Rear I/O

- 1 x Power input connector, 6-pin (9V-36V DC & Ignition control)
- 1 x DB9 COM port for RS232/422/485
- 2 x RJ45 Intel® I210-AT gigabit LAN ports
- 4 x USB 3.0, support USB 2.0
- 1 x HDMI 1.4b (support 4K x 2K @30Hz)
- 1 x Line-in, Line-out with 16Ω Amplifier

Audio

- Realtek ALC886 audio codec

Storage Device

- 1 x M.2 (2242) B key SSD, up to 256G max.
- 1 x 2.5" SATA SSD reserved

Expansion

- 1 x mini-PCIe full-size connector on board (support PCIe/USB)

Power Management

- 9V to 36V DC input (UPS: 12V, 24V and 36V)
- Ignition on/off control & programmable on/off delay timing

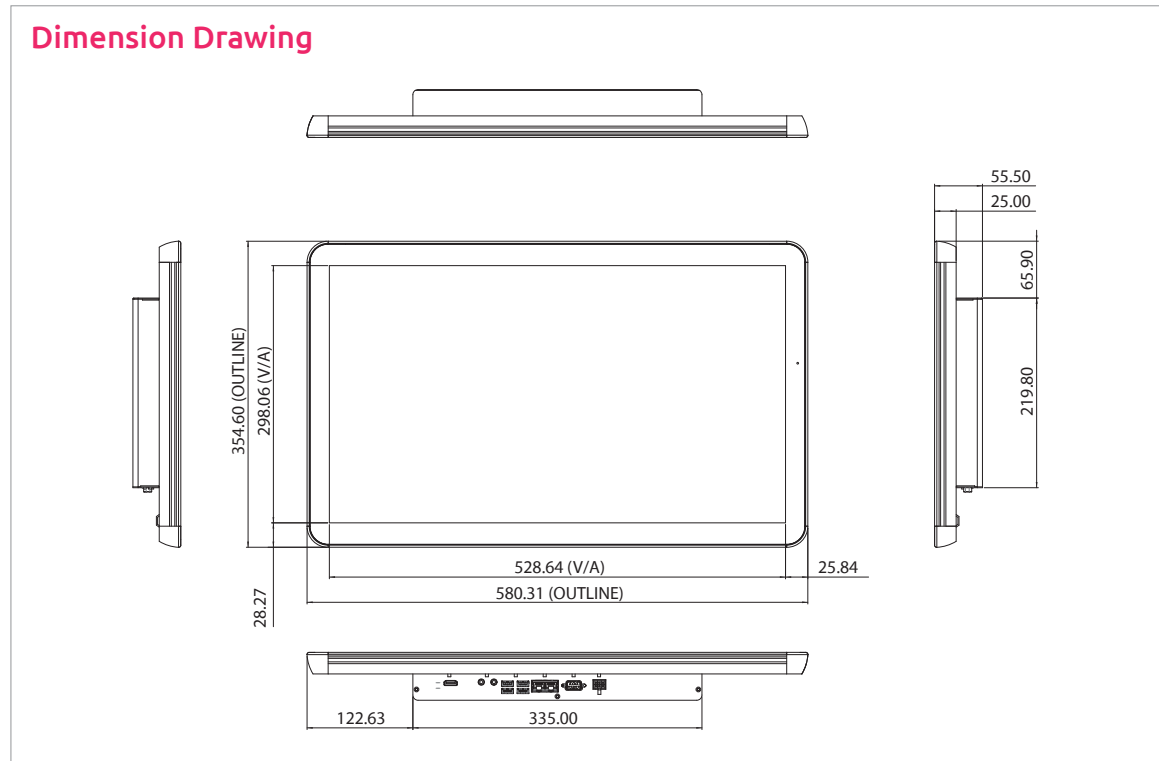
Environment

- Vibration
 - IEC60068-2-64
 - Operating: 1G, random, 5-500Hz, 1hr/axis (w/ storage)
- Drop
 - IEC60068-2-32
 - ISTA-2A STD
 - 10.4kg (packing weight) & 81cm (falling height)
- Temperature
 - Operating temperature: 0~50°C
 - Storage temperatures: 0~70°C
 - Damp heat test per EN60068-2-30, 45~55°C, 95%, 48Hrs, non-condensing

Operating System Support

- Win10 IoT Enterprise 64-bit
- Linux Yocto 4.14

www.nexcom.com



Mechanical Information

- Color: black
- VESA mount (100mm x 100mm; 200mm x 200mm)
- Dimension: 580.31mm (W) x 354.6mm (D) x 55.5mm (H)
- System weight (N.W): 10kg, 22lb
- Package weight (G.W): 12kg, 26.45lb

Certification

- CE (EN55024, EN55032, EN55035)
- FCC Class A (Part 15B)
- E-mark: E-13, 12/24V

Ordering Information

- ♦ **TPPC 2401 (P/N: 10ID0240100X1)**
23.8" TFT-LCD FHD 16:9 Passenger Information Panel PC,
Intel Atom® x5-E3930

Assured Systems

Assured Systems is a leading technology company with over 1,500 regular clients in 80 countries, deploying over 85,000 systems to a diverse customer base in 12 years of business. We offer high-quality and innovative rugged computing, display, networking and data collection solutions to the embedded, industrial, and digital-out-of-home market sectors.

US

sales@assured-systems.com

Sales: +1 347 719 4508
Support: +1 347 719 4508

1309 Coffeen Ave
Ste 1200
Sheridan
WY 82801
USA

EMEA

sales@assured-systems.com

Sales: +44 (0)1785 879 050
Support: +44 (0)1785 879 050

Unit A5 Douglas Park
Stone Business Park
Stone
ST15 0YJ
United Kingdom

VAT Number: 120 9546 28
Business Registration Number: 07699660