

# CV-108 | 8.4" TFT SVGA 4:3 Display Module with Resistive 5-wire Touch / Projected Capacitive Touch



- 8.4" SVGA TFT 4:3 LCD with Resistive 5-wire Touch / Projected Capacitive Touch
- 30,000 hrs LED Backlight Life
- Resolution up to 800 x 600 (SVGA)
- 400 nits Brightness
- Designed with Aluminum Die-cast Front Frame
- IP 65 Compliant Front Panel
- Convertible Display System (CDS) Supported

## Overview

CV-108 is 8.4" LCD display module with resistive 5-wire / projected capacitive touch screen. It offers resolution up to 800x600 (SVGA) and 400 nits brightness. CV-108 features flat surface and IP65 dust/waterproof front panel. In addition, designed with aluminum die-cast front frame, it is rugged and reliable for industrial environment. With support for Convertible Display System (CDS) technology, CV-108 allows you to configure, upgrade and maintain your Convertible Display System easily.

## Specifications

### Display

- LCD Size: 8.4" (4:3)
- Max. Resolution: 800 x 600
- Brightness (cd/m2): 400
- Contrast Ratio: 600 : 1
- LCD Color: 262K
- Pixel Pitch (mm): 0.213 (H) x 0.213 (V)
- Viewing Angle (H-V): 150 / 130
- Backlight MTBF: 30000 hrs (LED Backlight)

### Touch

- Resistive 5-wire Touch for CV-108R Only
- Projected Capacitive Touch for CV-108C Only

### Environment

- Operating Temperature: Ambient with air flow:  
CV-108R: -20°C to 70°C  
CV-108C: -20°C to 70°C  
(with Industrial Grade Peripherals)
- Storage Temperature:  
CV-108R: -30°C to 80°C  
CV-108C: -20°C to 70°C
- Relative Humidity:  
CV-108R: 80% RH @ 60°C (non-condensing)  
CV-108C: 85% RH @ 60°C (non-condensing)
- IP Level: IP 65 Compliant Front Panel

### Physical

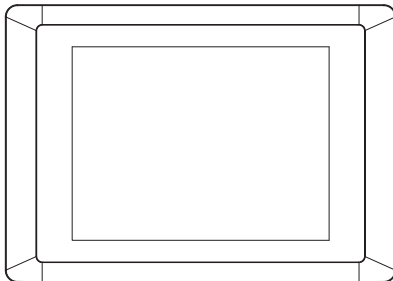
- Dimension (WxDxH, mm): 262 x 186.2 x 56.2 mm
- Weight: CV-108R: 1.62 kg  
CV-108C: 1.56 kg
- Construction Front Panel: Die-cast Flat Surface

### Certification

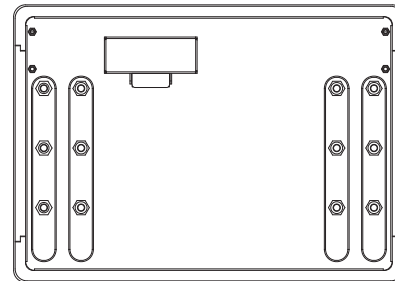
- CE
- FCC Class A

**External Layout**

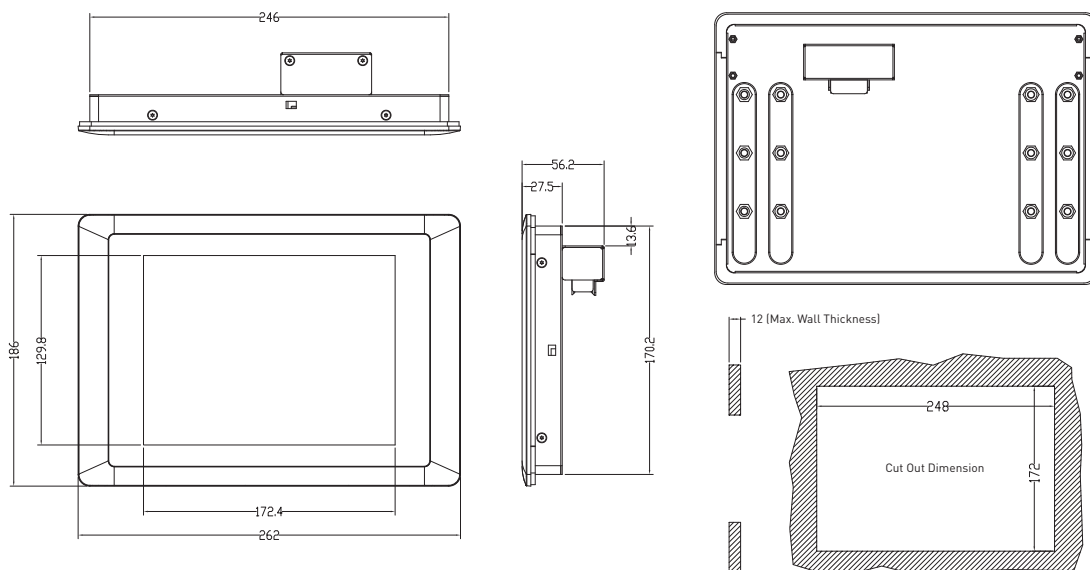
Front



Rear



**Dimensions**



Unit: mm

**Ordering Information**

**Available Models**

Model No.	Description
CV-108R	8.4" TFT SVGA 4:3 Display Module with <b>Resistive 5-wire Touch</b>
CV-108C	8.4" TFT SVGA 4:3 Display Module with <b>Projected Capacitive Touch</b>

**Package Checklist**

- CV-108 Display Module x 1
- Panel Mounting Kit x 1

Updated: Mar 9, 2021.

© Cincoze Co., Ltd. All Rights Reserved. Specifications subject to change without notice. All product names, logos, and brands are the property of their respective owners. All company, product and service names used in this document are for identification purposes only. The use of these names, logos, and brands does not imply endorsement.

## Assured Systems

Assured Systems is a leading technology company with over 1,500 regular clients in 80 countries, deploying over 85,000 systems to a diverse customer base in 12 years of business. We offer high-quality and innovative rugged computing, display, networking and data collection solutions to the embedded, industrial, and digital-out-of-home market sectors.

### US

[sales@assured-systems.com](mailto:sales@assured-systems.com)

Sales: +1 347 719 4508  
Support: +1 347 719 4508

1309 Coffeen Ave  
Ste 1200  
Sheridan  
WY 82801  
USA

### EMEA

[sales@assured-systems.com](mailto:sales@assured-systems.com)

Sales: +44 (0)1785 879 050  
Support: +44 (0)1785 879 050

Unit A5 Douglas Park  
Stone Business Park  
Stone  
ST15 0YJ  
United Kingdom

VAT Number: 120 9546 28  
Business Registration Number: 07699660