

CS-108

8.4" TFT-LCD Sunlight Readable Display Module



- 8.4" TFT-LCD with Ultra High Brightness up to 1,600 nits and 800 x 600 (SVGA) Resolution
- Wide Range Operating Temperature -20°C to 70°C
- True Flat IP65 Front Panel Protection
- Rugged Aluminum Die-casting Bezel
- Convertible Display System (CDS) Technology Supported



Overview

CS-108 Series is 8.4" TFT-LCD touch display module. It offers 1,600 nits ultra high brightness and 800 x 600 (SVGA) resolution, allowing viewers to see clear images even under any bright ambient light or direct sunlight environments. CS-108 Series is a rugged and reliable display solution featuring wide range operating temperature -20°C to 70°C, a solid aluminum die-casting front bezel and true flat IP65 front panel protection. Supporting Convertible Display System (CDS) technology, CS-108 Series allows you to configure, upgrade and maintain your display system according to your need.

Specifications

Display

- LCD Size: 8.4" (4:3)
- Max. Resolution: 800 x 600
- Brightness (cd/m²): 1600
- Contrast Ratio: 600 : 1
- LCD Color: 16.2M
- Pixel Pitch (mm): 0.213 (H) x 0.213 (V)
- Viewing Angle (H-V): 160 / 140
- Backlight MTBF: 50000 hrs (LED Backlight)

Touch

- Projected Capacitive Touch

Physical

- Dimension (WxDxH, mm): 262 x 186.2 x 56.2 mm
- Weight: 1.58 kg
- Front Panel Construction: Flat Rugged Aluminum Die-casting Bezel

Environment

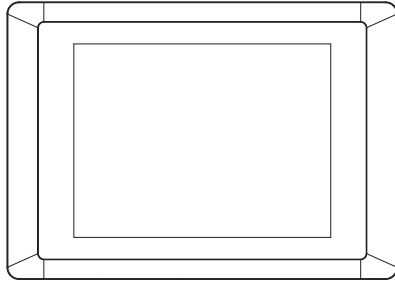
- Operating Temperature: -20°C to 70°C
(With extended temperature peripherals; Ambient with air flow According to IEC60068-2-1, IEC60068-2-2, IEC60068-2-14)
- Storage Temperature: -20°C to 70°C
- Relative Humidity: 85% RH @ 40°C (non-condensing)
- IP Level: IP 65 Compliant Front Panel

Certification

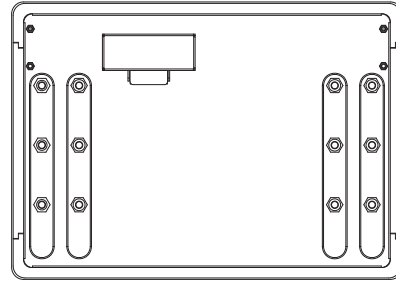
- CE
- FCC Class A

External Layout

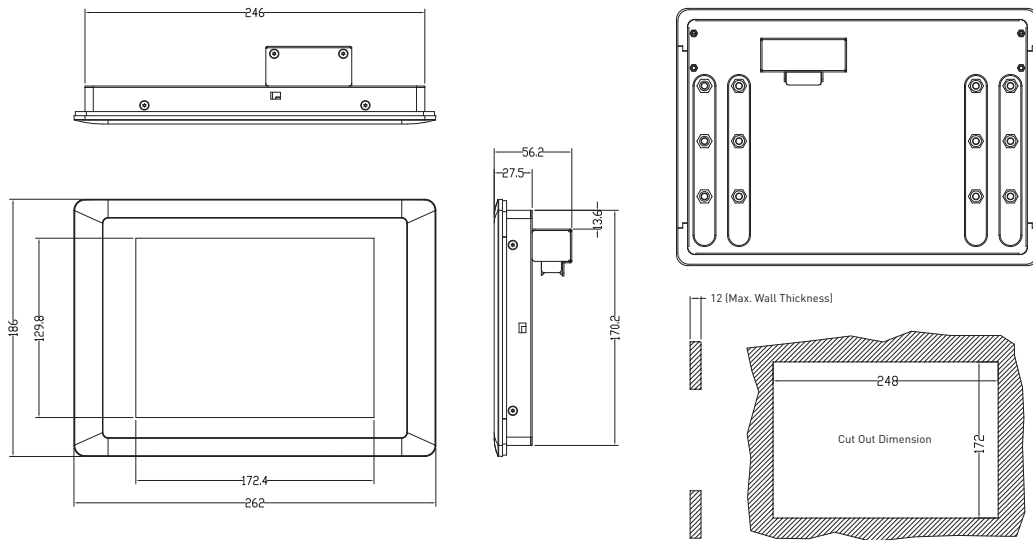
Front



Rear



Dimensions



Unit: mm

Ordering Information

Available Models

Model No.	Description
CS-108C-R10	8.4" TFT-LCD 1600 nits SVGA 4:3 Display Module with Projected Capacitive Touch

Package Checklist

- Display Module x 1
- Panel Mounting Kit x 1

Assured Systems

Assured Systems is a leading technology company with over 1,500 regular clients in 80 countries, deploying over 85,000 systems to a diverse customer base in 12 years of business. We offer high-quality and innovative rugged computing, display, networking and data collection solutions to the embedded, industrial, and digital-out-of-home market sectors.

US

sales@assured-systems.com

Sales: +1 347 719 4508
Support: +1 347 719 4508

1309 Coffeen Ave
Ste 1200
Sheridan
WY 82801
USA

EMEA

sales@assured-systems.com

Sales: +44 (0)1785 879 050
Support: +44 (0)1785 879 050

Unit A5 Douglas Park
Stone Business Park
Stone
ST15 0YJ
United Kingdom

VAT Number: 120 9546 28
Business Registration Number: 07699660