

R15IB3S-MLA3HB

15" Intel® Celeron® N2930 G-WIN Defence Panel PC



KEY FEATURES

- Build in ambient Light sensor
- High Quality 15" Panel, 1024x768 resolution, 1000 nits
- 5 Wire Resistive Touchscreen(Optional) / Anti-Reflection Protection Glass
- 802.11 a/b/g/n Wireless LAN with Antenna (Optional)
- Aluminum Housing with Anti-Corrosion Treatments
- Anti-Shock and Vibration Standard according to MIL-STD-810F/G & IEC60068-2-27
- Fanless Design
- Full IP65 Dust/water resistant Protection (Except I/O parts)
- Defence grade power connector
- Ultra Low Power and High Performance Intel® Bay Trail N2930 1.83 GHz
- Wide Range 9 to 36 V DC Input (Optional)

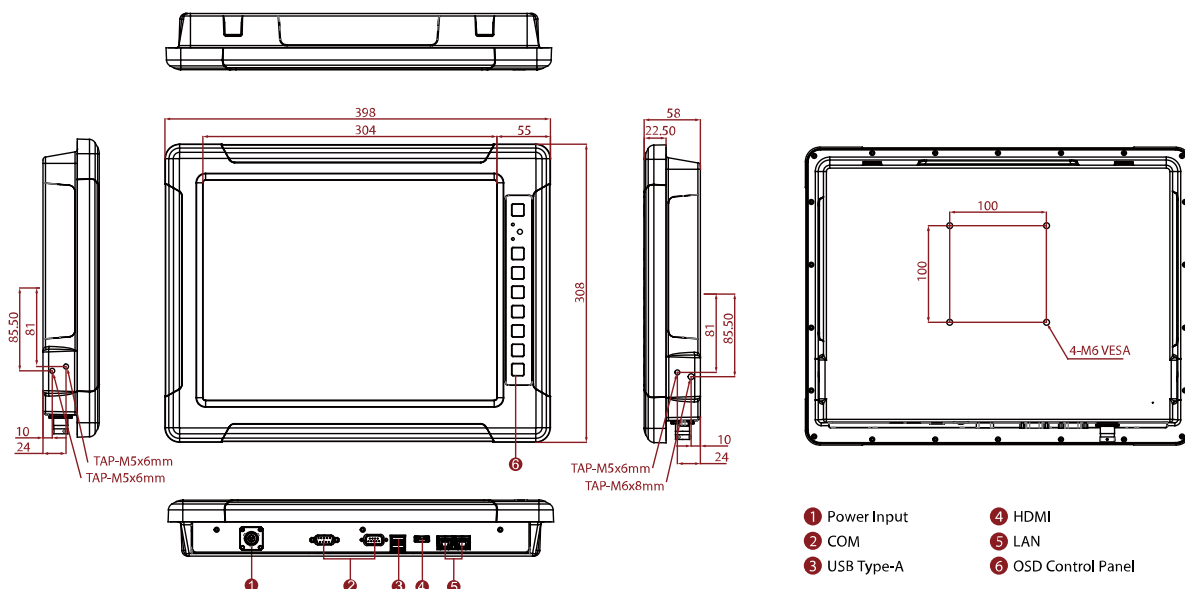


SPECIFICATIONS

Display			
Resolution	1024x768	Size	15 inches
Contrast Ratio	2500:1	Panel Brightness	1000 nits
View Angles	88,88,88,88	Active Area	304.1x228.1 mm
Touch / Glass	AR Protection Glass 5 Wires Resistive Touch (Optional) 5 Wire Resistive with EMI Mesh Filter (Optional) EMI Glass (Optional)		
System Specification			
Processor	Intel® Celeron® N2930 (2M Cache, up to 2.16 GHz)	Memory	1 x SO-DIMM, DDR3L 1600 MHz, 4GB 8GB (Optional)
Storage	1 x mSATA SSD 128GB. mSATA SSD up to 512GB. (Optional)	Ethernet controller	2 x Intel® Ethernet Controller
Operating System	Windows 10 IoT Enterprise (Optional) Linux Ubuntu 20.04 (Optional)	WLAN	Support (Optional)
BT	Support (Optional)		
Environment			
Operating Humidity	10% to 95% RH	Operating Temperature	-20°C~60°C
Storage Temperature	-30°C~70°C	Shock	Operating:30g for 18ms
Vibration	Operating: 1.60/1.96/2.18 g rms for XYZ / 5-500Hz		
Compliance			
MIL-STD 461E/F	RE101 / RE102 CE101 / CE102 with EMI Glass / Touch(Optional) RS101 / RS 103 CS101 / CS 106 / CS 109 / CS 114 / CS 115 / CS 116	MIL-STD 810F/G	Vibartion Method 514.5 Humidity Method 507.4 Transit Drop Method516.5

Certification	
Certification	CE, FCC
IO Ports	
USB Port	1 x USB2.0 1 x USB3.0
Video	1 x HDMI (Optional)
Serial Port	1 x RS-232(Default)/422/485 1 x RS-232 (Optional)
LAN	2 x RJ-45
Mechanical	
Dimension	398 x 308 x 58 mm
Enclosure	Metal Housing with Aluminum Bezel
Mounting	VESA Mount
Cooling System	Fanless Design
Accessory	
Accessory	User Manual Driver CD and User Manual Touch Driver CD Open Wire Cable 100~240V AC to DC Adapter Power Cord
Power	
Power Rating	12V DC (MIL-DTL-38999/1 connector) 9V to 36V wide range (Optional)
Control	
Button	8 key: Power Reset Lock/Unlock Auto Dimming/Manually Day/Night Mode Brightness Up Brightness Down LED Adjustment

DIMENSIONS UNIT:MM



NOTE

1. R15IB3S-MLA3HB

Assured Systems

Assured Systems is a leading technology company with over 1,500 regular clients in 80 countries, deploying over 85,000 systems to a diverse customer base in 12 years of business. We offer high-quality and innovative rugged computing, display, networking and data collection solutions to the embedded, industrial, and digital-out-of-home market sectors.

US

sales@assured-systems.com

Sales: +1 347 719 4508
Support: +1 347 719 4508

1309 Coffeen Ave
Ste 1200
Sheridan
WY 82801
USA

EMEA

sales@assured-systems.com

Sales: +44 (0)1785 879 050
Support: +44 (0)1785 879 050

Unit A5 Douglas Park
Stone Business Park
Stone
ST15 0YJ
United Kingdom

VAT Number: 120 9546 28
Business Registration Number: 07699660