

W07L100-GSO1HB

7" G-WIN GS Series High Brightness Display



KEY FEATURES

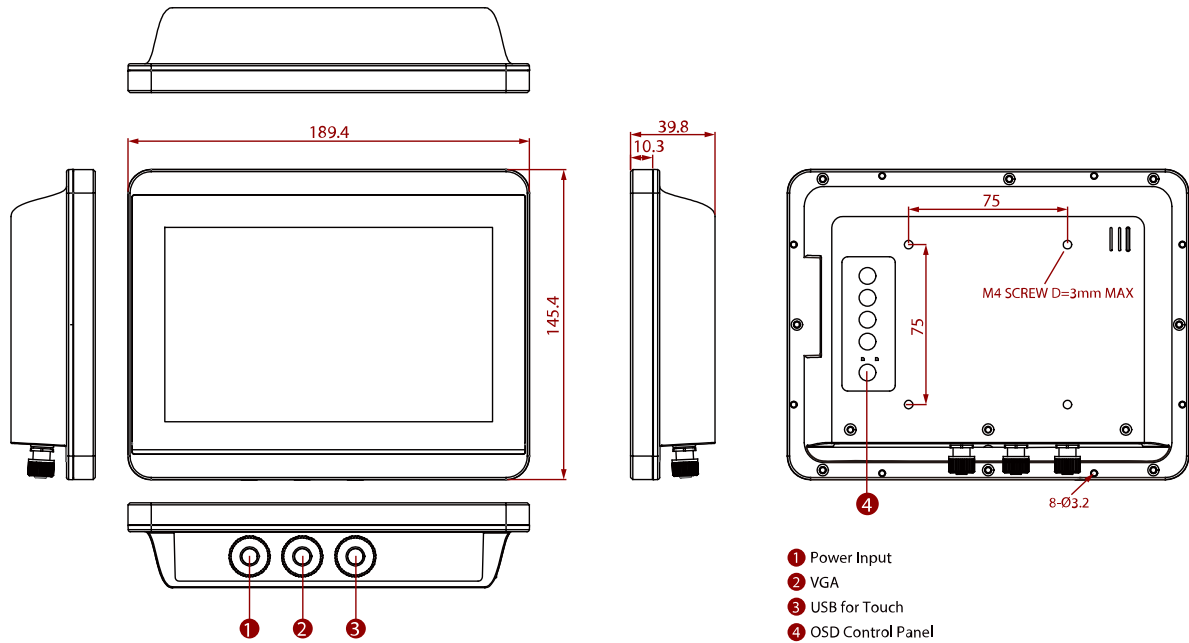
- 7" 1024 x 600 Resolution
- Projected Capacitive Multi-Touch (PCAP)
- Full IP65 Water and Dust Proof
- M12 Waterproof Connectors
- Fully rugged elegant, edge-to-edge design



SPECIFICATIONS

Display	
Resolution	1024x600
Contrast Ratio	700:1
Display Color	16.2M Colors
Active Area	153.6x90 mm
Size	7.0 inches
Panel Brightness	1000.0 nits
View Angles	75,75,75,70
Touch / Glass	Projected Capacitive Multi Touch Screen Protection Glass (Optional)
Environment	
Operating Humidity	10% to 95% RH
Storage Temperature	-30°C to 60°C
Vibration	1.48/1.90/2.24 g rms for XYZ/ 5-500Hz
Operating Temperature	-15~55°C
Shock	40g for 11ms
IP rating	IP65, Dustproof and Waterproof
Certification	
Certification	CE, FCC Compliant with MIL-STD-810F/G for vibration / shock
IO Ports	
USB Port	1 x USB for Touch Screen
Video	1 x VGA
Mechanical	
Dimension	189.4 x 145.4 x 39.8 mm
Mounting	VESA Mount/ Panel Mount
Cooling System	Fanless Design
Weight	1.13 kg
Enclosure	Metal Housing with Aluminum Bezel
Accessory	
Accessory	Quick Start Guide(Hardcopy) AC Adapter(For 7" Display only) M12 Power Cable(Not Supplied with 7" Display) VGA Cable USB for Touch Cable I/O Protective Cap x 3
Power	
Power Rating	12V DC (M12 type)
Control	
Button	5 Keys: -, +, Power, Esc, Enter

DIMENSIONS UNIT:MM



NOTE

1. This is a simplified drawing and some components are not marked in detail.
2. The product shown in this datasheet is a standard model. For diagrams that contain customized or optional I/O, please contact the Winmate Sales Team for more information.
3. All specifications are subject to change without prior notice.
4. The product shown in this datasheet is a standard model. For diagrams that contain customized or optional I/O, please contact the Winmate Sales Team for more information.

Assured Systems

Assured Systems is a leading technology company with over 1,500 regular clients in 80 countries, deploying over 85,000 systems to a diverse customer base in 12 years of business. We offer high-quality and innovative rugged computing, display, networking and data collection solutions to the embedded, industrial, and digital-out-of-home market sectors.

US

sales@assured-systems.com

Sales: +1 347 719 4508
Support: +1 347 719 4508

1309 Coffeen Ave
Ste 1200
Sheridan
WY 82801
USA

EMEA

sales@assured-systems.com

Sales: +44 (0)1785 879 050
Support: +44 (0)1785 879 050

Unit A5 Douglas Park
Stone Business Park
Stone
ST15 0YJ
United Kingdom

VAT Number: 120 9546 28
Business Registration Number: 07699660