

# S101TG-GCS

## 10.1" Intel® Tiger Lake Rugged Ground Control Station



### KEY FEATURES

- Low Latency video SW decoder for real-time high-resolution video viewing
- All-weather, dust, and water-resistant design (IP65). MIL-grade drop, Shock and vibration
- Supports optional WIFI, BT and 4G/5G
- Embedded TPM IC and Optional OPAL SSD
- With dual antennas, providing improved wireless connectivity and stability Ground Control Station
- With a removable second battery and a battery life of over 10 hours is a must-have tool for serious UAV pilots

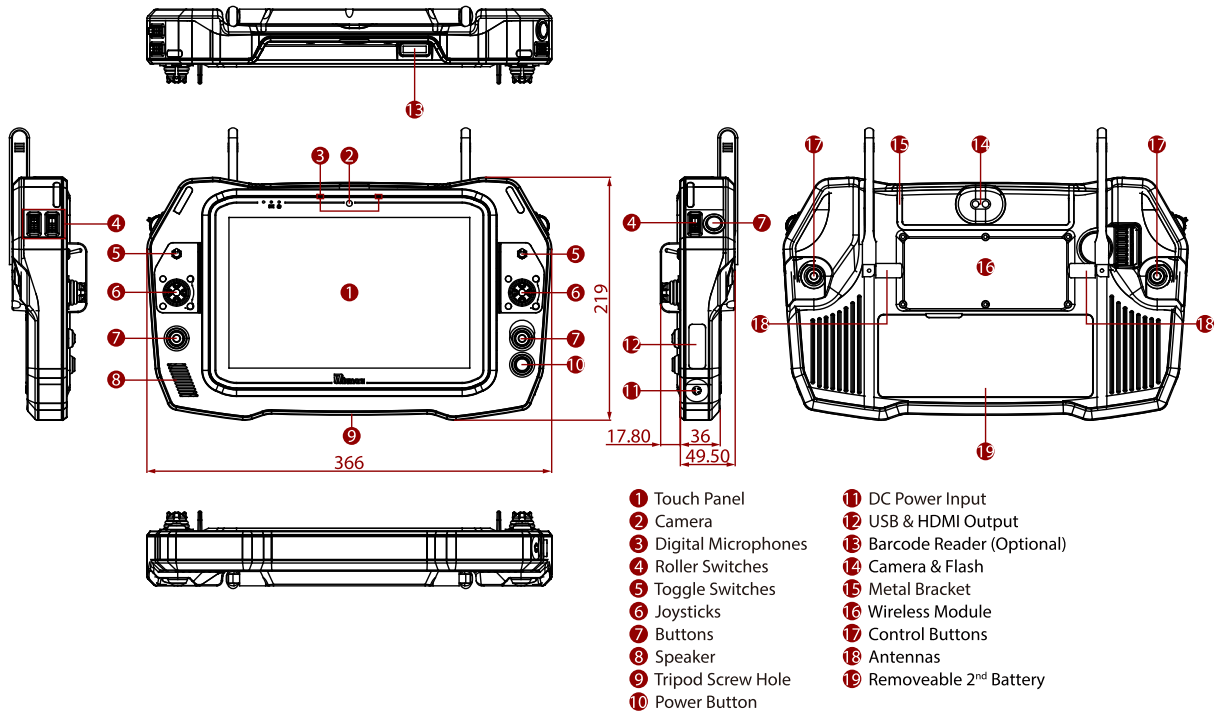


### SPECIFICATIONS

Display			
<b>Resolution</b>	1920x1200	<b>Size</b>	10.1 inches
<b>Contrast Ratio</b>	800:1	<b>Panel Brightness</b>	800 nits
<b>View Angles</b>	85,85,85,85	<b>Bonding</b>	Optical Bonding for Sunlight Viewability
<b>Type</b>	Projected Capacitive Multi Touch	<b>Viewability</b>	Anti-Glare touch treatment
<b>Touch Mode</b>	Support Hand / Gloves and Rain Mode		
System Specification			
<b>Processor</b>	Intel Core i51135G7 2.4GHz (up to 4.2GHz) Intel Core i3/i7 Processor (Optional)	<b>Memory</b>	4GB SDRAM, up to 32GB SDRAM (Optional)
<b>Storage</b>	128GB SSD, up to 2TB SSD (Optional)	<b>Security</b>	Trusted Platform Module (TPM) 2.0 Kensington Lock
<b>Operating System</b>	Windows 10 IoT Enterprise LTSC (64 bit) Windows 11 IoT Enterprise SAC (64 bit) (Optional)	<b>WLAN</b>	Support
<b>BT</b>	Support	<b>WWAN</b>	4G LTE (Optional)
<b>GNSS</b>	GPS, GLONASS	<b>Sensors</b>	Light sensor/ G-sensor / Gyro
Camera			
<b>Front Camera</b>	2MP Front Camera	<b>Rear Camera</b>	8MP Rear Camera with auto-focus and LED light
Mechanical			
<b>Dimension</b>	366 x 219 x 49.5 mm	<b>Cooling System</b>	Fan Design
IO Ports			
<b>USB Port</b>	1 x USB 2.0	<b>Video</b>	1 x HDMI output
<b>Audio</b>	1x Speaker		
Environment			
<b>Operating Humidity</b>	10% to 90% RH, non-condensing	<b>Operating Temperature</b>	-20°C to 60°C (AC mode), -10°C to 50°C (Battery mode)
<b>Storage Temperature</b>	-30°C to 70°C (-22°F to 158°F)	<b>Shock</b>	MIL-STD-810H Method 516.8 Procedure I
<b>Vibration</b>	MIL-STD-810H Method 514.8 Procedure I	<b>IP rating</b>	IP65
Certification			
<b>Certification</b>	CE, FCC		

Security Function			
<b>SOTI MobiControl</b>	SOTI MobiControl Compliance	<b>Kensington Lock</b>	Kensington Lock Support
Control			
<b>Button</b>	Left Side: 1x joystick 2x roller switch 1x 2 band toggle switch 1x button (front side) 1x control button (rear side) Right Side: 1x joystick 1x roller switch 1x camera button 1x power button 1x 2 band toggle switch 1x button (front side) 1x control button (rear side)		
Power			
<b>Battery</b>	11.4V, typ. 3500 mAh Lilon Rechargeable Internal Battery (3S1P) 11.4V, typ. 3500 mAh Lilon Rechargeable Secondary Battery (3S1P)	<b>Battery Operating Time</b>	Standard. Battery: 10 hours
<b>Power Rating</b>	19V DC	<b>Adapter</b>	100-240V, 50-60Hz / 19V DC
Accessory			
<b>Accessory</b>	Adapter and Power Cord	<b>Optional Accessory</b>	Battery Charger (Optional) Stylus (Optional)
Communication Link			
<b>Antenna</b>	2x 3dBi Antennas	<b>Frequency</b>	2.4GHz
<b>Output Power</b>	1W, Adjustable		

**DIMENSIONS** UNIT:MM



**NOTE**

- 1.This is a simplified drawing and some components are not marked in detail.
- 2.Please contact our sales representative if you need further product information.
- 3.All specifications are subject to change without prior notice.
- 4.The product shown in this datasheet is a standard model.For diagrams that contain customized or optional I/ O, please contact the Winmate Sales Team for more information.

## Assured Systems

Assured Systems is a leading technology company with over 1,500 regular clients in 80 countries, deploying over 85,000 systems to a diverse customer base in 12 years of business. We offer high-quality and innovative rugged computing, display, networking and data collection solutions to the embedded, industrial, and digital-out-of-home market sectors.

### US

[sales@assured-systems.com](mailto:sales@assured-systems.com)

Sales: +1 347 719 4508  
Support: +1 347 719 4508

1309 Coffeen Ave  
Ste 1200  
Sheridan  
WY 82801  
USA

### EMEA

[sales@assured-systems.com](mailto:sales@assured-systems.com)

Sales: +44 (0)1785 879 050  
Support: +44 (0)1785 879 050

Unit A5 Douglas Park  
Stone Business Park  
Stone  
ST15 0YJ  
United Kingdom

VAT Number: 120 9546 28  
Business Registration Number: 07699660