

M116PT

11.6" Intel® Pentium® N4200 Rugged Tablet with Smart Card Reader



KEY FEATURES

- Intel® Pentium® N4200 1.1GHz (Turbo up to 2.5 GHz), Rugged Tablet with Smart Card Reader
- 11.6" 1920 x 1080 LED panel with direct optical bonding
- IP65 water and dust proof with MIL-STD-810G rugged housing
- Integrated Smart Card Reader
- Optional Integrated 1D/2D Barcode Reader (Integrated CAC Reader) and HF RFID for data collection
- Removable battery with hot-swap function for all day productivity
- Defence grade MIL-STD 810G

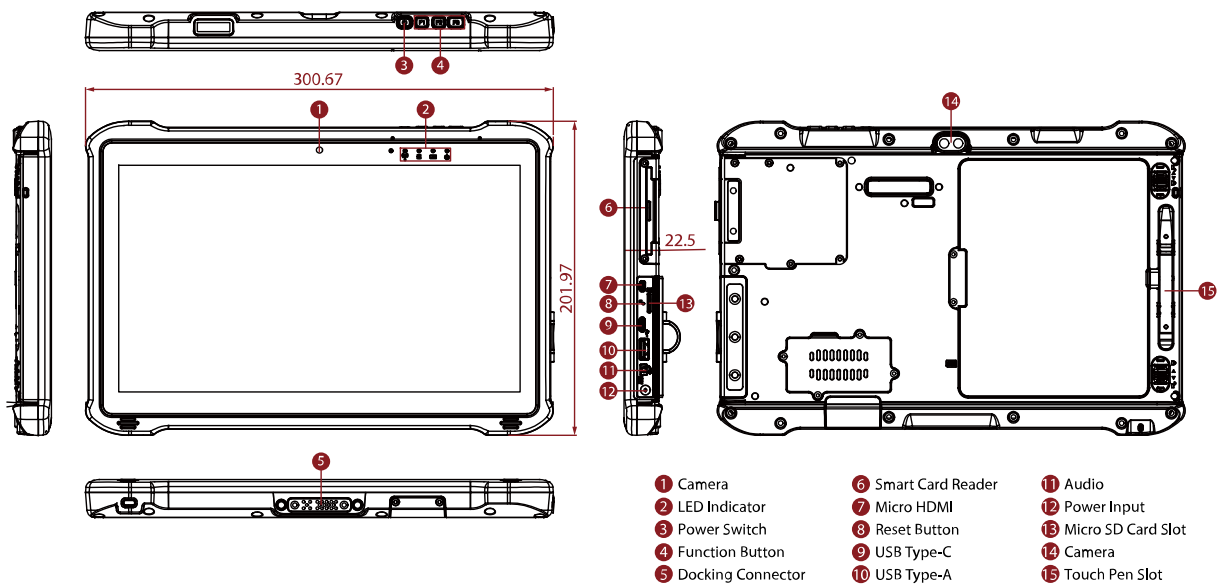


SPECIFICATIONS

| Display | | | |
|-------------------------|---|--------------------------|--|
| Bonding | Optical Bonding for Sunlight Viewability | Resolution | 1920x1080 |
| Size | 11.6 inches | Contrast Ratio | 1000:1 |
| Panel Brightness | 850.0 nits | View Angles | 85,85,85,85 |
| Type | Projected Capacitive Multi Touch | Viewability | Anti-Glare touch treatment |
| Touch Mode | Support Hand/Rain, Stylus, Glove Mode | | |
| System Specification | | | |
| Processor | Intel Pentium N4200 1.1GHz (up to 2.5GHz) | Memory | 4GB LPDDR4 8GB LPDDR4 (Optional) |
| Storage | 128 GB SSD Additional storage available with micro SDXC card slot 256 GB SSD (Optional) 512 GB SSD (Optional) | Security | Trusted Platform Module (TPM) 2.0 Kensington Lock |
| Operating System | Windows 10 IoT Enterprise (64 bit) | WLAN | Support |
| BT | Support | WWAN | 4G LTE (Optional) |
| GNSS | GPS, GLONASS | RFID | HF RFID reader 13.56 MHz (Optional) |
| Sensors | Light sensor/ G-sensor / Gyro | Smart Card Reader | Built-in Smart Card Reader, Comply with ISO7816-1.2.3 T=1 and T=Ø protocol |
| Camera | | | |
| Front Camera | 2MP front camera | Rear Camera | 8MP rear camera with autofocus and LED light |
| Mechanical | | | |
| Dimension | 300.67 x 201.97 x 22.5 mm | Weight | 1.45 kg |
| Cooling System | Fanless design | | |
| IO Ports | | | |
| USB Port | 1 x USB 3.0 (Type A), 1 x USB 3.0 (Type C) | SD Card Slot | 1 x Micro SDXC slot |
| SIM Card Slot | 1 x Micro SIM card slot | Video | 1 x Micro HDMI (Optional) |
| Audio | 1 x Audio combo 3.5mm audio combo jack Built-in dual digital mic with noise cancellation 2 x 1 watt front-facing speakers | LAN | 1 x RJ45-10/100/1000 GigaLAN port (Optional) |
| Indicator | 4x LED Indicator for Power, Battery, HDD, RF status | Docking Connector | 1 x 19-pin docking connector |

| Environment | | | |
|----------------------------|--|-------------------------------|---|
| Operating Humidity | 10% to 90% RH, non-condensing | Operating Temperature | -20°C to 60°C (AC mode), -10°C to 50°C (Battery mode) |
| Storage Temperature | -30°C to 70°C | Shock | MIL-STD-810G Method 516.6 Procedure I |
| Vibration | MIL-STD-810G Method 514.6 Procedure I | IP rating | IP65 |
| Drop | MIL-STD-810G Method 516.6, 4 ft | | |
| Certification | | | |
| Certification | CE, FCC | | |
| Security Function | | | |
| SOTI MobiControl | SOTI MobiControl Compliance | Kensington Lock | Kensington Lock Support |
| Control | | | |
| Button | 1 x Power, 3 x function keys | | |
| Power | | | |
| Battery | Hot-swappable 7.7V typ. 5900 mAh Li-Polymer Battery (2S1P) Optional 7.4V typ. 10280 mAh Li-Polymer Battery (2S2P) | Battery Operating Time | Standard Battery: 8 hours |
| Power Rating | 19V DC | Adapter | 100-240V, 50-60Hz (19V DC) |
| Accessory | | | |
| Accessory | Adapter and Power Cord Capacitive Stylus Standard Battery | Optional Accessory | Desk Dock (Optional) Vehicle Dock (Optional) Vehicle Cradle (Optional) Vehicle Charger (Optional) Battery Charger (Optional) High Capacity Battery (Optional) Hand Strap (Optional) VESA Mount Kit (Optional) Shoulder Strap (Optional) Carry Bag (Optional) |
| Barcode Scanner | | | |
| Barcode Scanner | 1D/2D barcode reader (Optional) | | |

DIMENSIONS UNIT:MM



NOTE

1. Total usable memory will be less dependent upon actual system configuration.
2. The USB Type-C connector follows USB 3.0 standard, which does not support Alternate Mode (ALT) or USB Power Delivery (USB-PD).
3. Add-on modules require the expansion port option to be usable.
4. TPM 2.0 is available upon request.
5. SOT1 is available upon request.
6. Measured at dimming LCD brightness. Varies depending on the usage conditions or when an external device is attached.
7. Length measurements do not include protrusions. Weight varies with options and active pen.
8. The product shown in this datasheet is a standard model. For diagrams that contain customized or optional I/O, please contact the Winmate Sales Team for more information.
9. This is a simplified drawing, and some components are not marked in detail.

Assured Systems

Assured Systems is a leading technology company with over 1,500 regular clients in 80 countries, deploying over 85,000 systems to a diverse customer base in 12 years of business. We offer high-quality and innovative rugged computing, display, networking and data collection solutions to the embedded, industrial, and digital-out-of-home market sectors.

US

sales@assured-systems.com

Sales: +1 347 719 4508
Support: +1 347 719 4508

1309 Coffeen Ave
Ste 1200
Sheridan
WY 82801
USA

EMEA

sales@assured-systems.com

Sales: +44 (0)1785 879 050
Support: +44 (0)1785 879 050

Unit A5 Douglas Park
Stone Business Park
Stone
ST15 0YJ
United Kingdom

VAT Number: 120 9546 28
Business Registration Number: 07699660