



www.transcend-info.com



Embedded Solutions

SATA III M.2 SSDs
MTS932T



Transcend's industrial M.2 SSD MTS932T features the SATA III 6Gb/s interface and state-of-the-art 3D NAND technology, which allows 96 layers of 3D NAND flash chips to be vertically stacked. Compared to 3D NAND at 64 layers, this density breakthrough greatly improves storage efficiency. The MTS932T comes with space-saving M.2 form factor, which is ideal for space-limited devices. It is fully tested in-house to guarantee reliability in mission-critical applications, boasting an endurance rating of 3K Program/Erase cycles.

Hardware Features

- Compliant with RoHS 2.0 standards
- Endurance: 3K P/E cycles (Program/Erase cycles) guaranteed
- Space-saving M.2 form factor (80mm) – ideal for mobile computing devices
- Supports Transcend Scope Pro software
- Power Shield (PS) to ensure data transfer integrity and minimize data corruption in the drive during an abnormal power outage

Ordering Information

64GB	TS64GMTS932T
128GB	TS128GMTS932T

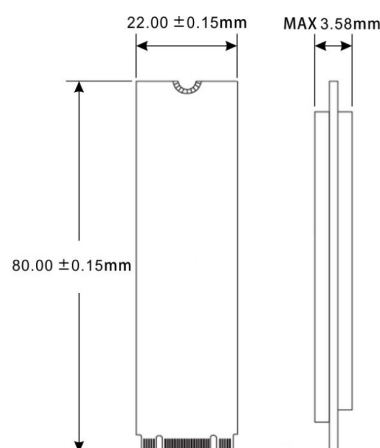
Firmware Features

- Built-in LDPC ECC (Error Correction Code) functionality
- Advanced Global Wear-Leveling and Block management for reliability
- Advanced Garbage Collection
- Supports S.M.A.R.T. function to conduct health monitoring, analysis, and reporting for storage devices
- TRIM command for better performance

Specifications

Appearance	Dimensions	80 mm x 22 mm x 2.23 mm (3.15" x 0.87" x 0.08")
	Weight	8 g (0.28 oz)
	Form Factor	M.2
	M.2 Type	2280-S2-B-M (Single-sided)
Interface	Bus Interface	SATA III 6Gb/s
Storage	Flash Type	3D NAND flash
	Capacity	64 GB / 128 GB
Operating Environment	Operating Voltage	3.3V±5%
	Operating Temperature	Standard Temp. 0°C (32°F) ~ 70°C (158°F)
	Storage Temperature	-55°C (-67°F) ~ 85°C (185°F)
	Humidity	5% ~ 95%
	Shock	1500 G, 0.5 ms, 3 axis
Power	Vibration (Operating)	20 G (peak-to-peak), 7 Hz ~ 2000 Hz (frequency)
	Power Consumption (Operation)	1.4 watt(s)
Performance	Power Consumption (Sleep)	5m watt(s)
	Sequential Read/Write (CrystalDiskMark)	Read: up to 550 MB/s Write: up to 400 MB/s
	4K Random Read/Write (IOMeter)	Read: up to 70,000 IOPS Write: up to 70,000 IOPS
	Mean Time Between Failures (MTBF)	3,000,000 hour(s)
	Terabytes Written (TBW)	up to 160 TBW
Warranty	Drive Writes Per Day (DWPD)	1.16 (3 yrs)
	Certificate	CE / FCC / BSMI
	Warranty	Three-year Limited Warranty

Mechanical Dimensions



Product specifications are subject to change without notice. Pictures shown may differ from actual products. Total accessible capacity varies depending on operating environment. Due to the complexity and variety of industrial applications, Transcend cannot guarantee 100% compatibility with all platforms and under all scenarios. For special applications and environments, it is strongly suggested that you contact Transcend beforehand for clarification.

Assured Systems

Assured Systems is a leading technology company with over 1,500 regular clients in 80 countries, deploying over 85,000 systems to a diverse customer base in 12 years of business. We offer high-quality and innovative rugged computing, display, networking and data collection solutions to the embedded, industrial, and digital-out-of-home market sectors.

US

sales@assured-systems.com

Sales: +1 347 719 4508
Support: +1 347 719 4508

1309 Coffeen Ave
Ste 1200
Sheridan
WY 82801
USA

EMEA

sales@assured-systems.com

Sales: +44 (0)1785 879 050
Support: +44 (0)1785 879 050

Unit A5 Douglas Park
Stone Business Park
Stone
ST15 0YJ
United Kingdom

VAT Number: 120 9546 28
Business Registration Number: 07699660