

# NDiS B560

Fanless Embedded Computer  
Powered by 8th/9th Generation Intel® Core™ Processor



## Main Features

- Support 8th/9th generation Intel® Core™ i9/i7/i5/i3 LGA socket type embedded processor, up to 35W
- Intel® Q370/H310
- Intel® integrated UHD 630 graphic engine
- Support 3 independent 4K2K 60Hz display output
- Support 1 x 2.5" SATA HDD
- 3 x HDMI 2.0, 6 x USB 3.0, 2 x GbE LAN, 2 x COM, 1 x Line-out, 1 x Mic-in
- Support M.2 B/E/M Key
- Fanless design
- Support wide temperature -20~60°C

## Product Overview

Powered by the 8th and 9th generation Intel® Core™ processor series and Intel® 300 Series chipset integrated graphics controller, the NDiS B560 series fanless embedded player can handle powerful multimedia content. In addition, the NDiS B560 can be operated in an extended operating temperature range between -20 to 60 Celsius degree, with three 4K2K independent display output and rich connectives including Wi-Fi and 4G, 5G support, the NDiS B560 can fully satisfy customer's expectation and therefore be used in both in-door and out-door applications such as DOOH, hospitality, brand promotion, digital menu board, outdoor bus station, and even smart stadium.

## Specifications

### CPU Support

- 8th and 9th Gen Intel® Core™ socket type processor up to 35W

### Chipset

- Intel® PCH Q370/H310

### Graphics

- Intel® UHD Graphics 630 series

### Main Memory

- 2 x 260-pin SO-DIMM sockets, supports DDR4 2666 MHz non ECC, un-buffered memory up to 32G (single socket max. 16GB)

### I/O Interface-Front

- 1 x Power button with LED
- 1 x Power LED, 1 x HDD LED
- 3 x HDMI 2.0
- 6 x USB 3.0
- 2 x RJ45 with LED for 10/100/1000Mbps Ethernet
  - Intel® I219-LM GbE PHY, supports IAMT
  - Intel® I210-IT LAN
- 1 x RS232/422/485 (COM1), 1 x RS232 (COM2)

### Storage

- 1 x SATA 2.5" HDD/SSD
- 1 x M.2 M Key 2242, 2280 (SATA, PCIe x4)

### Expansion

- 1 x M.2 B Key 3042/3052 (PCIe x2, USB), support optional 3G, 4G or 5G modules
- 1 x M.2 E Key 2230, support optional Wi-Fi modules

### Power Supply

- 1 x External 96W AC/DC power adapter
- Input: 100VAC to 240VAC
- Output: DC+12VDC

### Environment

- Operating temperature: -20°C to 60°C
- Storage temperature: -20°C to 80°C
- Humidity: 10 to 90% (non-condensing)

### Certification

- CE Approval
- FCC Class A

### Dimensions

- 238mm (W) x 192mm (D) x 67.29mm (H)

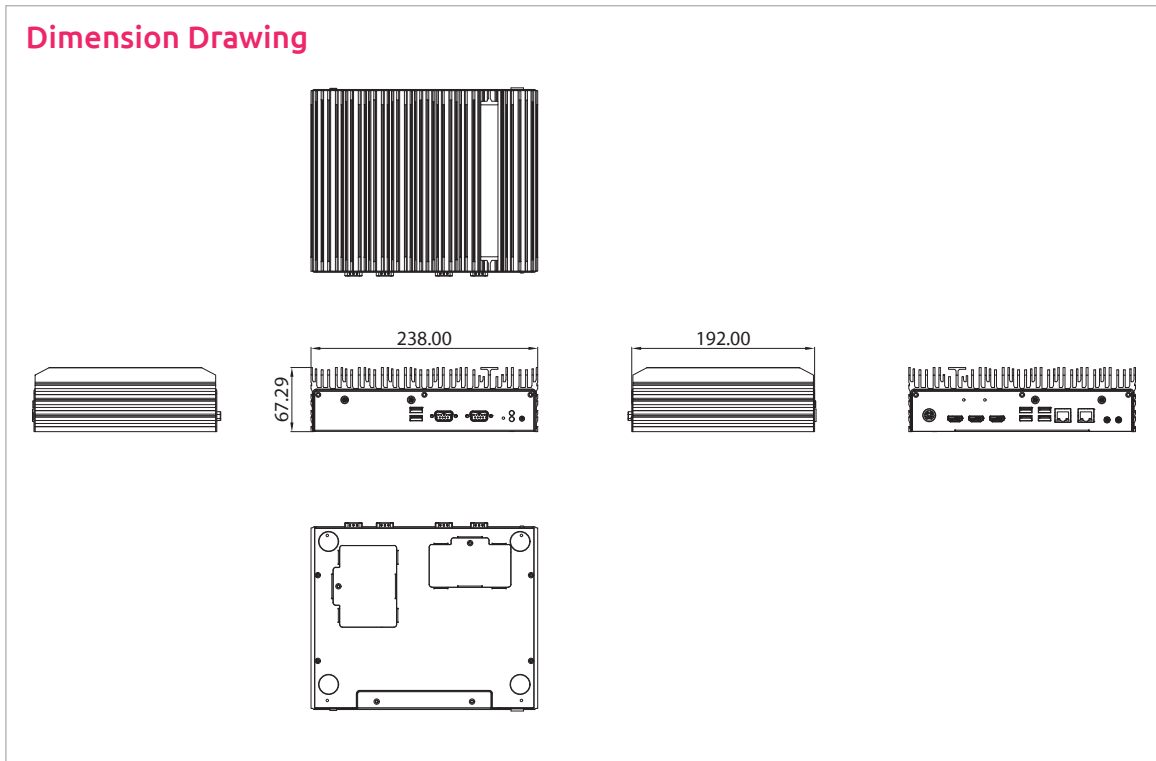
### Operating System Support

- Win10/Linux

www.nexcom.com



### Dimension Drawing



### Ordering Information

- **NDiS B560 (P/N: TBD)**  
8th/9th Generation Intel® Core™ processor slim and fanless system

## Assured Systems

Assured Systems is a leading technology company with over 1,500 regular clients in 80 countries, deploying over 85,000 systems to a diverse customer base in 12 years of business. We offer high-quality and innovative rugged computing, display, networking and data collection solutions to the embedded, industrial, and digital-out-of-home market sectors.

### US

[sales@assured-systems.com](mailto:sales@assured-systems.com)

Sales: +1 347 719 4508  
Support: +1 347 719 4508

1309 Coffeen Ave  
Ste 1200  
Sheridan  
WY 82801  
USA

### EMEA

[sales@assured-systems.com](mailto:sales@assured-systems.com)

Sales: +44 (0)1785 879 050  
Support: +44 (0)1785 879 050

Unit A5 Douglas Park  
Stone Business Park  
Stone  
ST15 0YJ  
United Kingdom

VAT Number: 120 9546 28  
Business Registration Number: 07699660