

NDiS B338

Fanless Embedded Computer
Intel® Celeron® Processor J6412



Main Features

- Intel® Celeron® processor J6412
- Support 3 x HDMI 2.0 output
- Support 12V~24V DC input
- Compact and slim design (H: 38.8mm)
- 2 x DDR4 up to 32G
- 1 x M.2 2280 Key M for optional storage device
- 1 x M.2 3042/3052 Key B for optional LTE or 5G modules
- 1 x mini-PCIe for optional Wi-Fi and LTE
- Fanless design

Product Overview

The NDiS B338 fanless embedded system is powered by an Intel® Celeron® processor and is capable of handling three independent display outputs. It supports up to 3x HDMI 2.0 outputs, USB 3.0 ports, and an RS232/RS422/RS485 interface. This makes it an ideal choice for optimizing information visualization, conveying brand messages, improving customer engagement, and increasing smart retail management efficiencies. Moreover, it can be utilized as a gateway for smart city applications. The NDiS B338 is a slim-type fanless embedded system with extended temperature durability, making it suitable for outdoor usage in locations such as QSR drive-through kiosks, information stands, bus stops, or digital transit information signs. It is also an excellent IoT device which is extensively used in surveillance and security applications, providing real-time monitoring, object detection, and facial recognition in areas such as airports, public spaces, and smart infrastructure.

Specifications

CPU Support

- Intel® Celeron® Processor J6412, 10W

Graphic

- Intel® UHD graphics

Main Memory

- 2 x 260-pin SO-DIMM sockets, supports DDR4 3200MT/s MHz, Non ECC, un-buffered memory up to 32G (single socket max. 16GB)

I/O Interface-Front

- Power button with LED
- 4 x COM port
 - COM1: RS232/422/485
 - COM2~COM4: RS232
- 4 x Antenna holes

I/O Interface-Rear

- 3 x HDMI 2.0
- 1 x RJ45 Gigabit LAN with LEDs
- 1 x RJ45 2.5 Gigabit LAN with LEDs
- 1 x USB 3.1
- 5 x USB 2.0
- 1 x Mic in

- 1 x Line out
- 12V~24V DC input

Internal I/O

- 8 x GPIO (4 x GPI, 4 x GPO)
- TPM 2.0 onboard
- 1 x USB 2.0 pin header
- 1 x Speaker-out pin header with 2.5W/8Ω amplifier

Expansion

- 1 x M.2 3042/3052 Key B (USB 3.2, USB 2.0) for optional LTE or 5G modules
- 1 x mini-PCIe slot (USB 2.0, PCIe x1, SATA) for optional Wi-Fi and LTE
- 1 x SIM slot

Storage

- 1 x M.2 2280 Key M (PCIe Gen3 x4) for optional storage modules

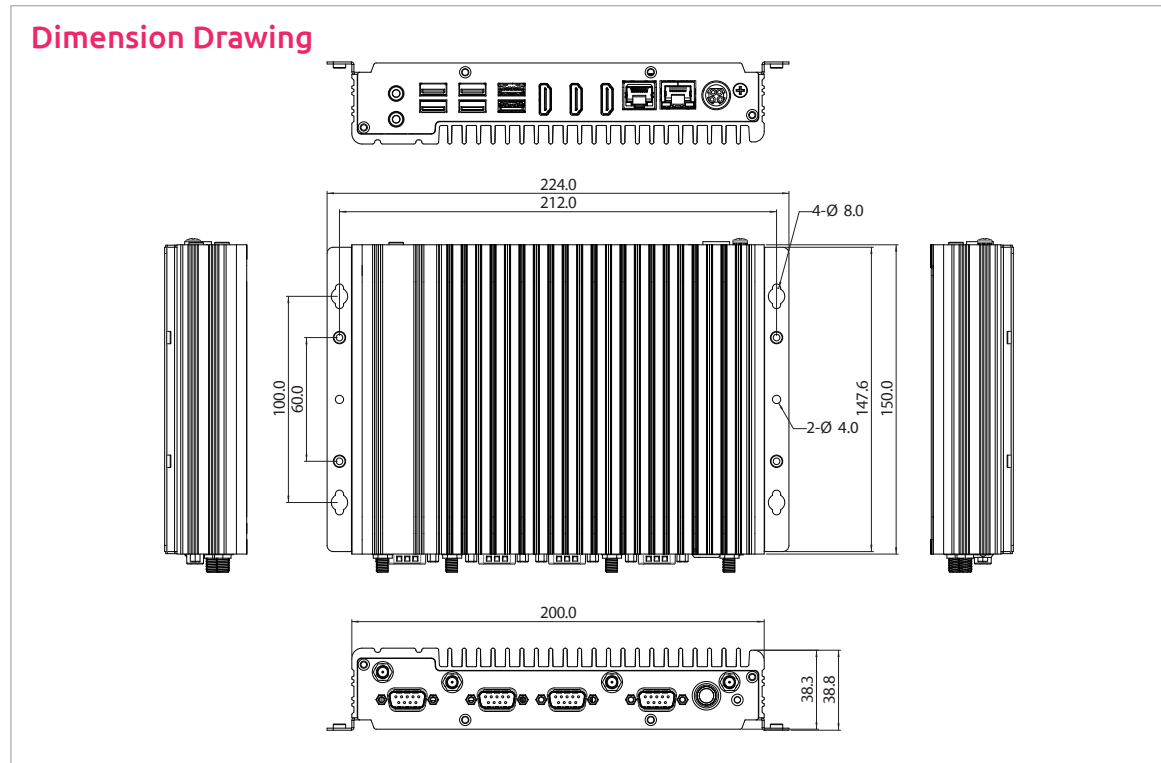
Power Supply

- 1 x External 60W AC/DC power adapter
- Input: 100VAC to 240VAC
- Output: DC+12VDC

Environment

- Operating temperature: -20°C to 60°C

www.nexcom.com



- Storage temperature: -20°C to 80°C
- Humidity: 10 to 95% (non-condensing)

Dimensions

- 224mm (W) x 150mm (D) x 38.8mm (H) (with wall mount bracket)

Certifications

- CE (EN55035 + EN55032)
- FCC Class A (EMI Part 15B)
- LVD (EN62368-1)

Operating System

- Win10

Ordering Information

- **NDiS B338 (P/N: 10W00B33800X0)**
Intel® Celeron® Processor J6412 slim and fanless system

Assured Systems

Assured Systems is a leading technology company with over 1,500 regular clients in 80 countries, deploying over 85,000 systems to a diverse customer base in 12 years of business. We offer high-quality and innovative rugged computing, display, networking and data collection solutions to the embedded, industrial, and digital-out-of-home market sectors.

US

sales@assured-systems.com

Sales: +1 347 719 4508
Support: +1 347 719 4508

1309 Coffeen Ave
Ste 1200
Sheridan
WY 82801
USA

EMEA

sales@assured-systems.com

Sales: +44 (0)1785 879 050
Support: +44 (0)1785 879 050

Unit A5 Douglas Park
Stone Business Park
Stone
ST15 0YJ
United Kingdom

VAT Number: 120 9546 28
Business Registration Number: 07699660