

NDiS B116

Digital Signage Player

Powered by ARM® Cortex®-A72 Dual Core and Cortex®-A53 Quad Core Processor



Main Features

- Onboard Rockchip RK3399 ARM® Cortex®-A72 and Cortex®-A53
- 2 x 10/100/1000Mbps LAN Port
- 2 x HDMI 2.0, 1 x LVDS, 1 x eDP, 1 x MIPI DSI
- 2 x USB 2.0, 1 x USB 3.0, 1 x USB 2.0 OTG
- 1 x RS232/422/485
- 1 x mini-PCIe socket for optional Wi-Fi/3.5G/LTE modules
- Fanless and slim design
- Support Android

Product Overview

Powered by ARM® Cortex®-A72 Dual Core and Cortex®-A53 Quad Core, NDiS B116 can play rich multi-media contents with low power consumption. NDiS B116 is enclosed in a compact chassis and can be easily integrated to display devices, such as LCD TV or PDO at site installation with HDMI display output (up to HDMI 2.0 support 4K2K 60Hz), Giga LAN. NDiS B116 is suitable as an entry level digital signage player for advertising, messaging, and brand promotion.

Specifications

CPU Support

- Rockchip RK3399 64-bit Dual ARM® Cortex®-A72 and Quad Cortex®-A53
- Mali-T864 GPU, OpenGL ES1.1/2.0/3.0/3.1, OpenVG1.1, OpenCL, DX11

Memory/Storage

- Onboard 2GB DDR3
- Onboard 8GB eMMC flash

Display

- 2 x HDMI 2.0 (simultaneous dual display: 1 x 4K 60fps, 1 x 1080p)

LAN

- 2 x 10/100/1000Mbps LAN port

USB

- 2 x USB 2.0
- 1 x USB 3.0
- 1 x USB OTG

Audio

- 1 x Pin header support Mic-in/Line-out/Speaker-out

Front I/O

- Power button
- LED indicator
- 1 x RS-232/422/485 (COM2) (for NDiS B116-4G-16G only)
- 2 x RS-232 (TX/RX/CTS/RTS/DSR/DTR/DCD) (COM3, COM4 (COM3, 4) (for NDiS B116-4G-16G only)

Rear I/O

- 12V DC jack
- 1 x RS-232/422/485 (COM1)
- 2 x HDMI 2.0
- 2 x GbE LAN ports
- 1 x USB 2.0, 1 x USB 3.0, 1 x USB OTG
- 2 x ANT holes

Expansion

- 1 x mini-PCIe socket for optional Wi-Fi/3.5G/LTE modules

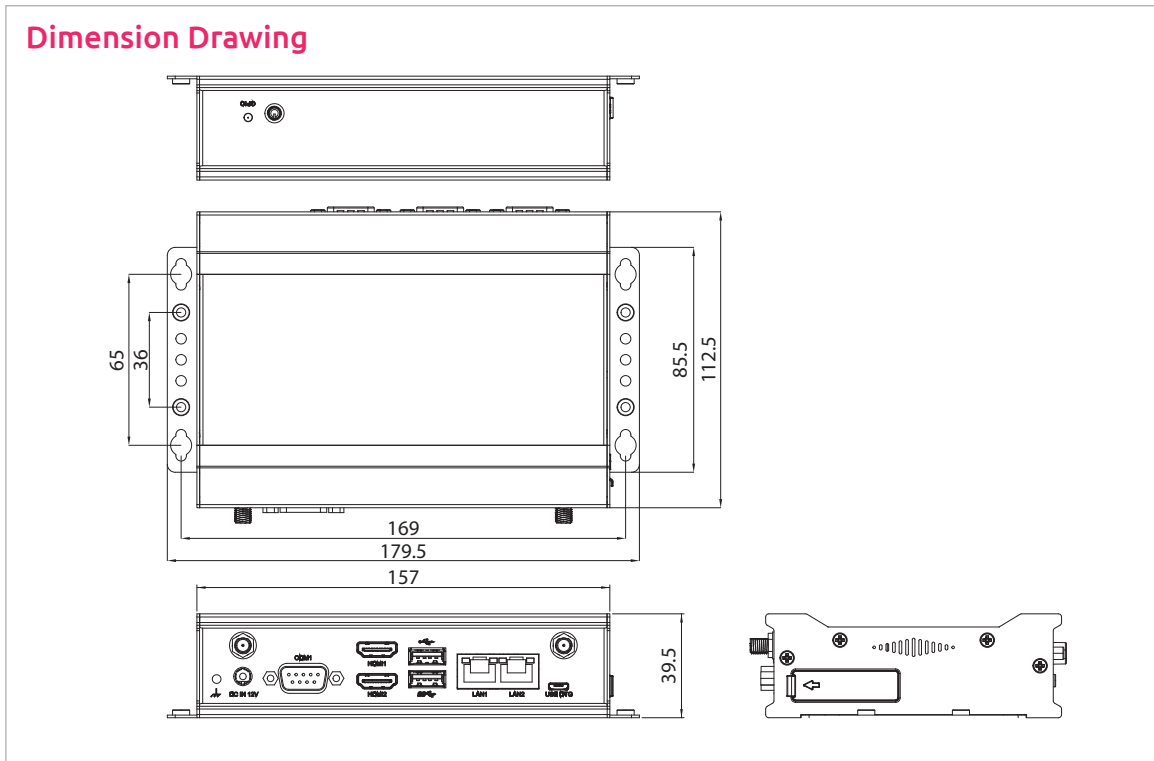
Dimensions

- 179.5mm (W) x 112.5mm (D) x 39.5mm (H) (with wall mount)

www.nexcom.com



Dimension Drawing



Power Supply

- 1 x External 60W AC/DC adapter
 - Input: 100~240VAC
 - Output: +12VDC

Environment

- Operating temperature: ambient with air flow from 0°C to 60°C
- Storage temperature: -20°C to 85°C
- Humidity: 10 to 95% (non-condensing)

Operating System

- Android 7.1

Ordering Information

- ♦ **NDiS B116 (P/N: 10W00B11600X0)**
Rockchip RK3399 ARM® Cortex®-A72 Dual Core and Cortex®-A53 Quad Core, onboard 2G LPDDR4 and 8G eMMC, 1 x COM
- ♦ **NDiS B116-4G-16G (P/N: TBD)**
Rockchip RK3399 ARM® Cortex®-A72 Dual Core and Cortex®-A53 Quad Core, onboard 4G LPDDR4 and 16G eMMC, 4 x COM

Assured Systems

Assured Systems is a leading technology company with over 1,500 regular clients in 80 countries, deploying over 85,000 systems to a diverse customer base in 12 years of business. We offer high-quality and innovative rugged computing, display, networking and data collection solutions to the embedded, industrial, and digital-out-of-home market sectors.

US

sales@assured-systems.com

Sales: +1 347 719 4508
Support: +1 347 719 4508

1309 Coffeen Ave
Ste 1200
Sheridan
WY 82801
USA

EMEA

sales@assured-systems.com

Sales: +44 (0)1785 879 050
Support: +44 (0)1785 879 050

Unit A5 Douglas Park
Stone Business Park
Stone
ST15 0YJ
United Kingdom

VAT Number: 120 9546 28
Business Registration Number: 07699660