

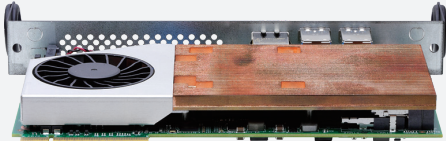


NDiS S538

Embedded Computer Powered by 6th Gen. Intel® Core™ Processor
Intel® SDM-L Based Digital Signage Platform, Support 4K Resolution







Main Features

- Intel® Smart Display Module Large (Intel® SDM-L) design in
- 6th generation Intel® Core™ Skylake processor
- Intel® integrated HD 530 graphic engine
- Support 3 independent 4K2K video out
- Dual DDR4 SO-DIMM support
- Support Wi-Fi module

Product Overview

NDiS S538 is designed for thinner and power efficiency display. There is no housing to limit display size and also easily integrate in signage player. NDiS S538 can be spanned from Celeron to Core™ processor and support All-in-One signage, interactive media player, and video wall. Also, allowing for easy storage capacity expansion through pluggable M.2 storage unit.

In addition, NDiS S538 leverages the 6th gen. Intel® Core™ processors to deliver outstanding graphics support 3 independent 4K2K video output. The superb but power-efficient can therefore maximize visual impacts for digital signage applications.

Specifications

CPU Support

- 6th generation Intel® Core™ processor (LGA1151), 35W

Chipset

- Intel® Q170 PCH

Graphic

- Intel® integrated HD 530 graphics

Main Memory

- 2 x 260-pin SO-DIMM Sockets, Supports DDR4 2133/2400 MHz non-ECC, un-buffered memory up to 32G (Single socket max. 16GB)

I/O Interface-Front

- 1 x Power button with LED
- 1 x Reset button
- 1 x RJ45 with LEDs for Gigabit LAN
- 1 x Mini DP ++
- 4 x USB 3.0
- 2 x Antenna hole

I/O Interface-Rear (PCIe x8)

- 1 x HDMI1.4 signal
- 1 x DP1.2 signal
- 2 x I2C, master and slave ports signal
- 1 x GSPI signal
- 1 x PCIe by 1 signal
- System management

Storage Device

- 1 x M.2 2280, PCIe x4 + SATA

Expansion

- 1 x M.2 2230 for optional Wi-Fi module

Dimensions

- 175mm (W) x 100mm (D) x 20mm (H)

Power Power Supply

- DC power input +12V

Environment

- Operating temperature: ambient with air flow from 0°C to 55°C
- Storage temperature: -10°C to 70°C
- Humidity: 95% (non-condensing)

Certification

- CE/FCC Class A

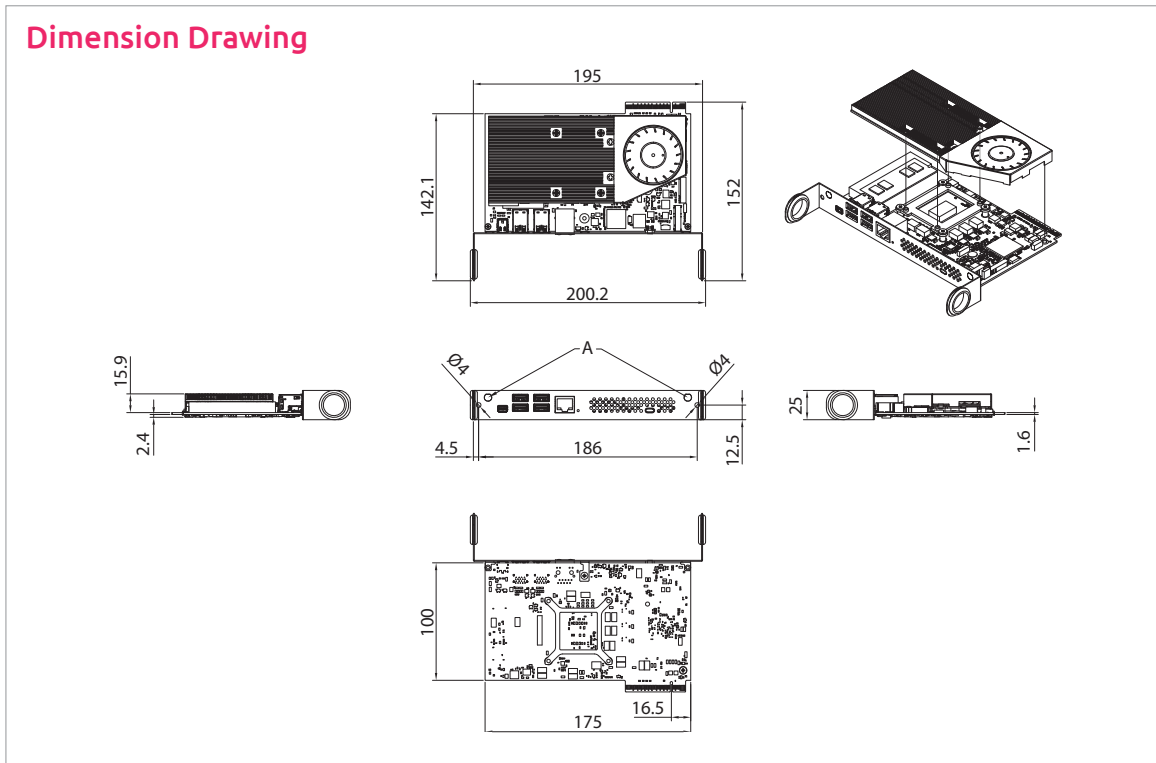
Operating System

- Win10 64-bit/Linux

www.nexcom.com



Dimension Drawing



Ordering Information

- **NDiS S538 (P/N: 10W00S53800X0)**
Intel® Smart Display Module Large (Intel® SDM-L), 6th gen. Intel® Core™ LGA1151 type processor, Intel® Q170 chipset

Assured Systems

Assured Systems is a leading technology company with over 1,500 regular clients in 80 countries, deploying over 85,000 systems to a diverse customer base in 12 years of business. We offer high-quality and innovative rugged computing, display, networking and data collection solutions to the embedded, industrial, and digital-out-of-home market sectors.

US

sales@assured-systems.com

Sales: +1 347 719 4508
Support: +1 347 719 4508

1309 Coffeen Ave
Ste 1200
Sheridan
WY 82801
USA

EMEA

sales@assured-systems.com

Sales: +44 (0)1785 879 050
Support: +44 (0)1785 879 050

Unit A5 Douglas Park
Stone Business Park
Stone
ST15 0YJ
United Kingdom

VAT Number: 120 9546 28
Business Registration Number: 07699660