

# VMD 3002

10.4" XGA Vehicle Mounted Display  
with Projected Capacitive Touch Screen, VGA and CVBS Interfaces



## Main Features

- 10.4" XGA TFT LCD panel
- Slim bezel and compact design
- Automatic/Manual brightness control
- Wide range power input from 9 ~ 36VDC
- Projected capacitive touch screen with multi-touch
- Support four CVBS inputs to connect rear view camera
- High brightness display for outdoor applications
- Compliant with IP65

## Product Overview

VMD 3002 is a robust 10.4-inch TFT LCD monitor with enhanced brightness, projected capacitive touchscreen, and high performance loud speaker. It is designed with a single cable to consolidate power, display, and other control signal to ease the installation and secure the connection. It also features four analog video inputs to feed the real time video from the rear view cameras to the display. VMD 3002 mechanical design is compliant with IP65. With the 1000nits ultra high brightness display and adaptive brightness control, it is an ideal solution for in-vehicle and outdoor applications.

## Specifications

### General

- Enclosure: Plastic PC + ABS
- Mounting: Support VESA 75/100
- Power Input: 9 ~ 36VDC
- Power Consumption: 18W
- Ingress Protection: IP65
- Dimension: 256.5 x 202.1 x 31.5 mm
- Weight: 1.64Kg, 4.16Lb

### LCD Panel

- 10.4-inch TFT LCD panel with LED backlight
- 1024 x 768 pixels (XGA)
- Brightness: 1200 cd/m<sup>2</sup> (typical, after touch screen is 1080cd/m<sup>2</sup>)
- Contrast Ratio: 500: 1 (typical)

### Touch Screen Sensor

- Projected capacitive touchscreen
- Surface Hardness: 3H
- Multiple touch

### I/O Interface-Front

- 1 x LED indicators (Power on/off, Auto Back-light, MCU update)
- 2 x Built-in 1W 8ohm speakers
- IR remote sensor

### I/O Interface-Lateral

- On screen display buttons x 7
  - Display power on/off
  - OSD menu

- Volume control (+/-)
- Brightness control (+/-)
- Auto configuration

### I/O Interface-Bottom

- Pigtail with multiple IO interface
  - 4 x CVBS connector
  - 1 x Line-in
  - 1 x VGA
  - 1 x USB
  - 1 x COM (TX/RX)
  - 1 x Power input connector (9 ~ 36VDC)

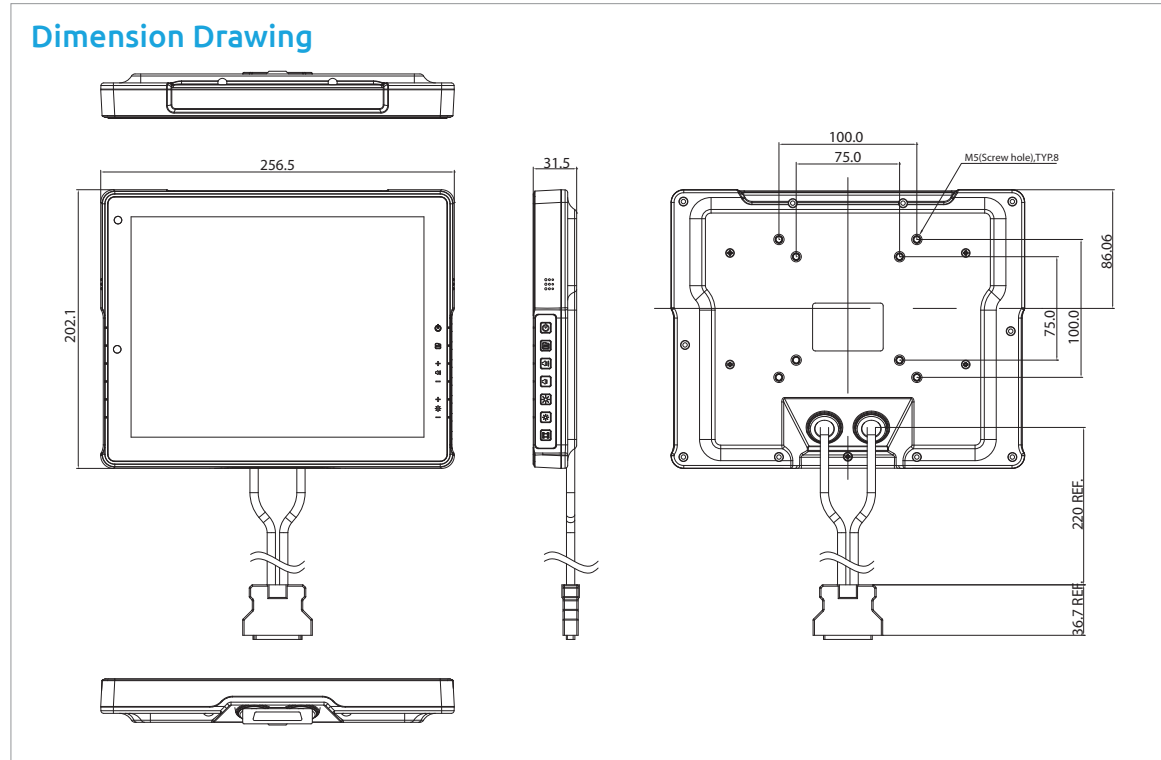
### Environment

- Operating temperature: -20°C to 60°C
- Storage temperature: -30°C to 80°C
- Vibration (random): 2.5g@5 ~ 500 Hz
- Vibration
  - Operating: MIL-STD-810G, 514.6 Procedure 1, Category 4, Ground Vehicle – Highway Truck
  - Storage: MIL-STD-810G, 514.6 Procedure 1, Category 4, Integrity Test
- Shock
  - Operating: MIL-STD-810G, Method 516.6, Procedure I, Trucks and semi-trailers=20g
  - Crash hazard: MIL-STD-810G, Method 516.6, Procedure V, Ground equipment=75g

### Standards/Certifications

- CE approval
- FCC Class B

www.nexcom.com



### Ordering Information

- **VMD 3002-BS (P/N: 10VD0300200X0)**  
10.4" XGA vehicle mount display with touch screen, VGA and CVBS Interfaces
- **Bundle Accessories**

Part No.	Description
6030000043X00	External 50-pin Multi-I/O Cable, L=1120mm
602DCD0779X00	Driver CD

## Assured Systems

Assured Systems is a leading technology company with over 1,500 regular clients in 80 countries, deploying over 85,000 systems to a diverse customer base in 12 years of business. We offer high-quality and innovative rugged computing, display, networking and data collection solutions to the embedded, industrial, and digital-out-of-home market sectors.

### US

[sales@assured-systems.com](mailto:sales@assured-systems.com)

Sales: +1 347 719 4508  
Support: +1 347 719 4508

1309 Coffeen Ave  
Ste 1200  
Sheridan  
WY 82801  
USA

### EMEA

[sales@assured-systems.com](mailto:sales@assured-systems.com)

Sales: +44 (0)1785 879 050  
Support: +44 (0)1785 879 050

Unit A5 Douglas Park  
Stone Business Park  
Stone  
ST15 0YJ  
United Kingdom

VAT Number: 120 9546 28  
Business Registration Number: 07699660