

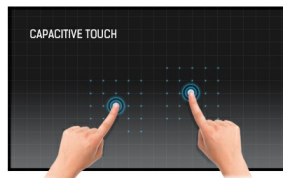


PROLITE T2251MSC-B1



22" P-CAP 10pt multi-touch monitor featuring IPS panel technology

With its Full HD (1920x1080) resolution and accurate Projective Capacitive 10 point touch technology, the ProLite T2251MSC-B1 delivers seamless and accurate touch response. Featuring IPS LED screen technology, it offers exceptional colour performance and wide viewing angles, making it a perfect choice for a vast array of interactive applications. In addition, the edge-to-edge glass and ultra slim design creates an eye-catching finish. Users can benefit from its hinged stand allowing the monitor to lay down completely flat for use as a giant tablet. The ProLite T2251MSC-B1 is the ideal solution for interactive signage, instore retail, POS and interactive presentations.



Touch technology - Capacitive

This technology uses a sensor-grid of micro-fine wires integrated into the glass that covers the screen. Touch is detected because electrical characteristics of the sensor grid change when human finger is placed on the glass. Thanks to the glass overlay this technology is highly durable, and the touch function remains unaffected even if the glass is scratched. It offers perfect picture performance and will work with human finger (also latex gloved) and stylus-pen.



IPS Technology

IPS displays are best known for wide viewing angles and natural, highly accurate colours. They are especially suited for colour-critical applications.

01 DISPLAY CHARACTERISTICS

Design	Ultra thin bezel
Diagonal	21.5", 54.7cm
Panel	IPS Panel Technology LED
Native resolution	1920 x 1080 (2.1 megapixel Full HD)
Aspect ratio	16:9
Panel brightness	250 cd/m ²
Static contrast	1000:1
Advanced contrast	5M:1
Response time (GTG)	7ms
Viewing zone	horizontal/vertical: 178°/178°, right/left: 89°/89°, up/down: 89°/89°
Colour support	16.7mln
Horizontal Sync	24 - 83kHz
Viewable area W x H	476.64 x 268.11mm, 18.8 x 10.6"
Pixel pitch	0.248mm
Bezel colour and finish	black, matte

02 TOUCH

Touch technology	projective capacitive
Touch points	10 (HID, only with supported OS)
Touch method	stylus, finger, glove (latex)
Touch interface	USB
Supported operating systems	All iiyama monitors are Plug & Play and compatible with Windows and Linux. For details regarding the supported OS for the touch models, please refer to the driver instruction file available in the downloads section.

03 INTERFACES / CONNECTORS / CONTROLS

Analog signal input	VGA x1
Digital signal input	HDMI x1 DisplayPort x1
Audio input	Mini jack x1
Audio output	Speakers 2 x 2W
HDCP	yes

04 FEATURES

OSD key lock	yes
--------------	-----

05 GENERAL

OSD languages	EN, DE, FR, IT, CN, RU, JP, CZ, NL, PL
Control buttons	Power, Select/ Input Select, Scroll up/ Audio, Scroll down/ i-Style Colour, Menu
User controls	auto image adjust, picture adjust (contrast, brightness, ACR, ECO, OD) input select, audio adjust (volume, mute, audio input) colour adjust (cool, normal, warm, user colour, i-Style color) information, manual image adjust (H./V. position, clock, phase, sharpness, video mode adjust, blue light reducer, X-Res technology) setup menu (language select, OSD position, OSD time out, OSD background, opening logo, LED), memory recall
Convenience	Kensington-lock™ prepared

Blue light reducer	yes
Flicker free	yes
Plug&Play	DDC2B

06 MECHANICAL

Tilt angle	15° up; 70° down
VESA mounting	100 x 100mm
MTBF	50000 hours (excluding backlight)

07 ACCESSORIES INCLUDED

Cables	power, USB, HDMI
Guides	quick start guide, safety guide

08 POWER MANAGEMENT

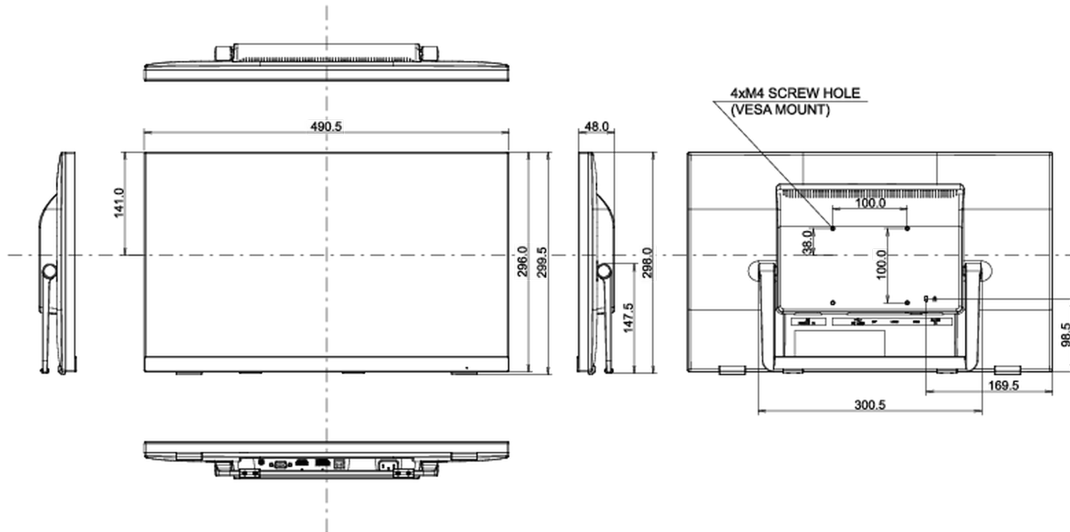
Power supply unit	internal
Power supply	AC 100 - 240V, 50/60Hz
Power usage	18W typical, 0.5W stand by, 0.3W off mode

09 SUSTAINABILITY

Regulations	CE, TÜV-Bauart, EAC, RoHS support, ErP, WEEE, REACH, UKCA
Energy efficiency class (Regulation (EU) 2017/1369)	F
REACH SVHC	above 0.1%: Lead

10 DIMENSIONS / WEIGHT

Product dimensions W x H x D	490.5 x 299.5 x 48mm
Box dimensions W x H x D	550 x 358 x 111mm
Weight (without box)	3.5kg
Weight (with box)	5.2kg
EAN code	4948570119509



All trademarks and registered trademarks acknowledged. E & O E. Specification subject to change without notice. All LCD's comply with ISO-9241-307:2008 in connection with pixel defects.

© IIYAMA CORPORATION. ALL RIGHTS RESERVED

Assured Systems

Assured Systems is a leading technology company with over 1,500 regular clients in 80 countries, deploying over 85,000 systems to a diverse customer base in 12 years of business. We offer high-quality and innovative rugged computing, display, networking and data collection solutions to the embedded, industrial, and digital-out-of-home market sectors.

US

sales@assured-systems.com

Sales: +1 347 719 4508
Support: +1 347 719 4508

1309 Coffeen Ave
Ste 1200
Sheridan
WY 82801
USA

EMEA

sales@assured-systems.com

Sales: +44 (0)1785 879 050
Support: +44 (0)1785 879 050

Unit A5 Douglas Park
Stone Business Park
Stone
ST15 0YJ
United Kingdom

VAT Number: 120 9546 28
Business Registration Number: 07699660