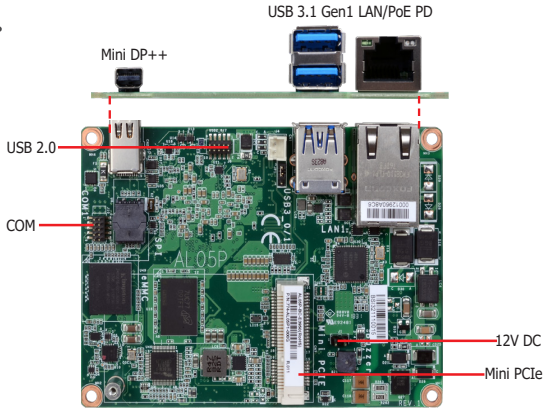




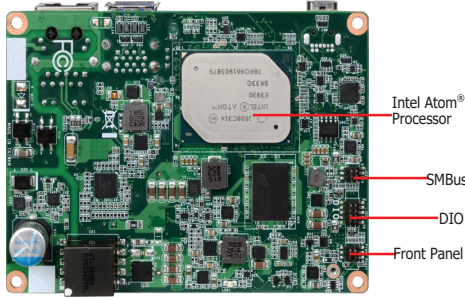
**Intel Atom® Processor E3900 Series  
2.5" Pico-ITX**



**AL05P**



Top View



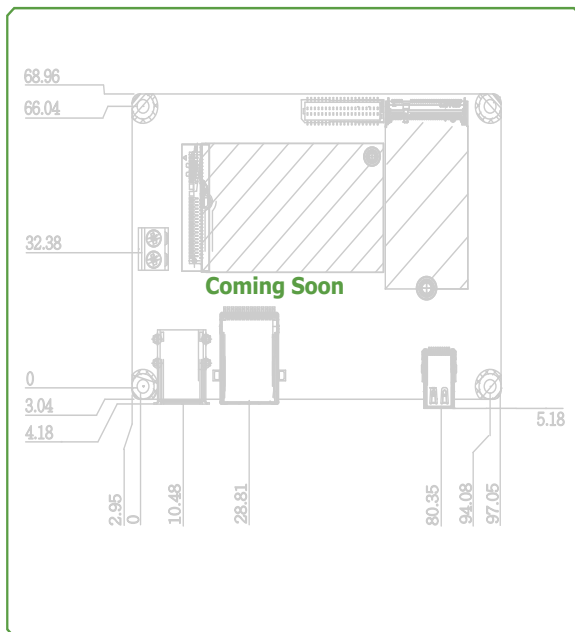
Bottom View

**Features**

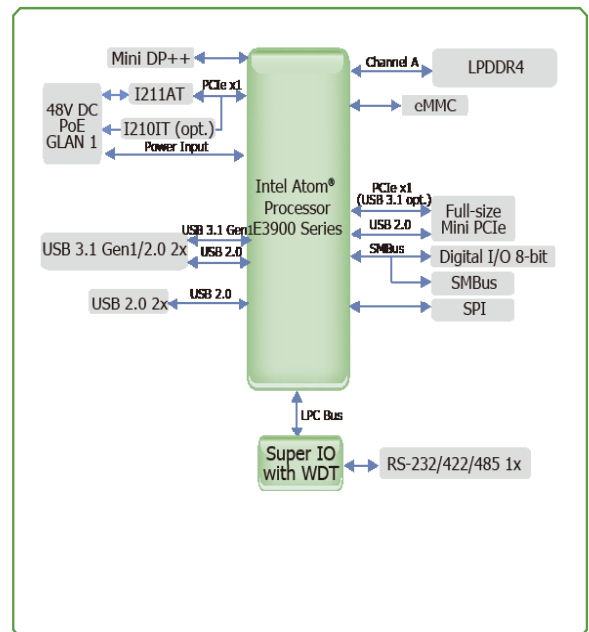
- Small form factor 2.5" Pico-ITX for space-limited applications
- PoE single board solution support PoE PD 48VDC
- PoE PD IEEE 802.3AF with isolation protection +0.5KV
- Support LPDDR4 memory down up to 4GB
- Expansion and Storage: 1 Mini PCIe, 1 SMBus, 1 eMMC
- Rich I/O: 1 LAN, 1 COM, 2 USB 3.1 Gen1, 2 USB 2.0



**Mechanical Drawing**



**Block Diagram**





**Specifications**

<b>SYSTEM</b>	<b>Processor</b>	Intel Atom® Processor E3900 Series, BGA 1296 Intel Atom® x5-E3940 Processor, Quad Core, 2M Cache, 1.6GHz (1.8GHz), 9.5W Intel Atom® x5-E3930 Processor, Dual Core, 2M Cache, 1.3GHz (1.8GHz), 6.5W Intel® Pentium® Processor N4200, Quad Core, 2M Cache, 1.1GHz (2.5GHz), 6W Intel® Celeron® Processor N3350, Dual Core, 2M Cache, 1.1GHz (2.4GHz), 6W
	<b>Memory</b>	SDRAM Memory Down up to 4GB Single Channel DDR4 2400MHz
	<b>BIOS</b>	Insyde SPI 128Mbit (supports UEFI boot only)
	<b>GRAPHICS</b>	<b>Controller</b> Intel® HD Graphics
	<b>Feature</b>	OpenGL 4.2, Direct X 11.1, OpenCL 1.2, OGL ES 3.0 HW Decode: H.264, MPEG2, VC1, VP8, H.265, MPEG4 HW Encode: H.264, MPEG2, MPEG4
	<b>Display</b>	1 x Mini DP++ Mini DP++: resolution up to 4096x2160 @ 60Hz
<b>EXPANSION</b>	<b>Interface</b>	1 x Full-size Mini PCIe (PCIe/USB 2.0, optional USB 3.1 Gen1/USB 2.0)
<b>Storage</b>	<b>Storage</b>	1 x 16GB/32GB/64GB eMMC
<b>ETHERNET</b>	<b>Controller</b>	1 x Intel® I211AT PCIe (10/100/1000Mbps) 1 x Intel® I210IT PCIe (10/100/1000Mbps) (available upon request)
<b>REAR I/O</b>	<b>Ethernet</b>	1 x GbE (RJ-45)
	<b>USB</b>	2 x USB 3.1 Gen1
	<b>Display</b>	1 x Mini DP++
<b>INTERNAL I/O</b>	<b>Serial</b>	1 x RS-232/422/485 (1.27mm pitch)
	<b>USB</b>	2 x USB 2.0 (1.27mm pitch)
	<b>DIO</b>	1 x 8-bit DIO
	<b>SMBus</b>	1 x SMBus
<b>WATCHDOG TIMER</b>	<b>Output &amp; Interval</b>	System Reset, Programmable via Software from 1 to 255 Seconds
<b>SECURITY</b>	<b>TPM</b>	fTPM 2.0
<b>POWER</b>	<b>Type</b>	48VDC PoE
	<b>Connector</b>	PoE LAN
	<b>RTC Battery</b>	CR2032 Coin Cell
<b>OS SUPPORT (UEFI Only)</b>	<b>Microsoft/Linux</b>	Windows 10 IoT Enterprise (64-bit)      Linux
<b>ENVIRONMENT</b>	<b>Temperature</b>	Operating: 0 to 60°C, -20 to 70°C Storage: -40 to 85°C
	<b>Humidity</b>	Operating: 5 to 90% RH      Storage: 5 to 90% RH
<b>MECHANICAL</b>	<b>Dimensions</b>	2.5" Pico-ITX Form Factor      100mm (3.94") x 72mm (2.83")
	<b>Height</b>	PCB: 1.6mm      Top Side: 15mm, Bottom Side: 8mm

**Ordering Information**

Model Name	P/N	Processor	Memory	eMMC	Display	GbE	RS-232/422/485	USB 3.1 Gen1	USB 2.0	Power	Thermal	Temp.
<b>AL05P-BC-23E30</b>	770-AL05P1-000G	X5-E3930	2GB	32GB	1	1	1	2	2	PoE PD 48V	Fanless	0 to 60°C
<b>AL05P-BC-23E40</b>	770-AL05P1-100G	X5-E3940	2GB	32GB	1	1	1	2	2	PoE PD 48V	Fanless	0 to 60°C
<b>AL05P-BC-23N50</b>	770-AL05P1-200G	N3350	2GB	32GB	1	1	1	2	2	PoE PD 48V	Fanless	0 to 60°C
<b>AL05P-EC-23E30</b>	770-AL05P1-400G	X5-E3930	2GB	32GB	1	1	1	2	2	PoE PD 48V	Fanless	-20 to 70°C

Note: N4200 is supported upon request with MOQ requirement.

**Packing List**

• 1 AL05P board	
• 1 Heat spreader (Height: 15mm)	E Series CPU: A71-808315-000G N Series CPU: A71-808315-010G

**Optional Items**

• USB port cable (Length: 200mm)	A81-001061-016G
• 1 COM port cable (Length: 300mm)	A81-015038-016G
• Heat sink for E series CPU 0 to 60°C (Height: 28mm)	E Series CPU: A71-008116-000G N Series CPU: A71-008116-010G

## Assured Systems

Assured Systems is a leading technology company with over 1,500 regular clients in 80 countries, deploying over 85,000 systems to a diverse customer base in 12 years of business. We offer high-quality and innovative rugged computing, display, networking and data collection solutions to the embedded, industrial, and digital-out-of-home market sectors.

### US

[sales@assured-systems.com](mailto:sales@assured-systems.com)

Sales: +1 347 719 4508  
Support: +1 347 719 4508

1309 Coffeen Ave  
Ste 1200  
Sheridan  
WY 82801  
USA

### EMEA

[sales@assured-systems.com](mailto:sales@assured-systems.com)

Sales: +44 (0)1785 879 050  
Support: +44 (0)1785 879 050

Unit A5 Douglas Park  
Stone Business Park  
Stone  
ST15 0YJ  
United Kingdom

VAT Number: 120 9546 28  
Business Registration Number: 07699660