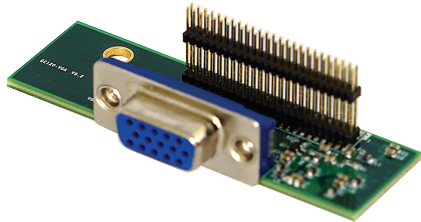


# CMI-VGA01

CMI Module with 1x VGA Port



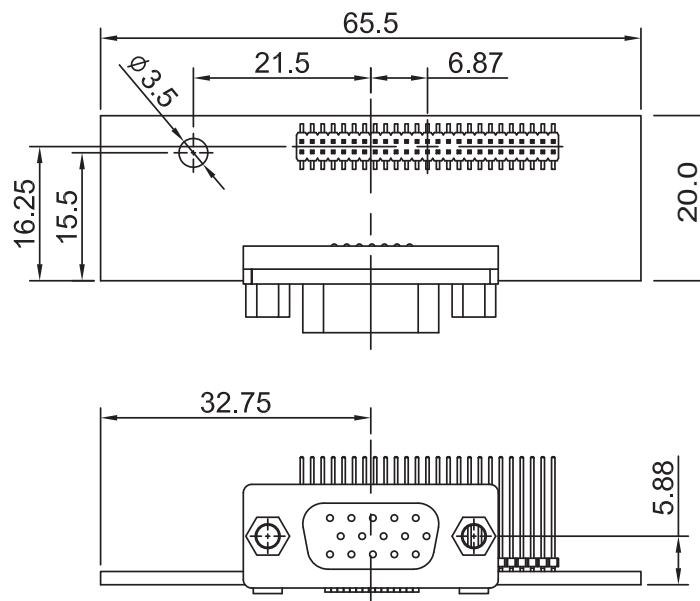
- CMI (Combined Multiple I/O) Technology
- Rugged Design Features: Cableless



## Specifications

Interface	CMI (Combined Multiple I/O) Interface
Display Output	1x VGA Connector
Max. Resolution	1920 x 1200 @60Hz
Dimension ( W x D x H )	65.5 x 20 mm

## Dimensions



Unit: mm

## Ordering Information

### Available Models

CMI-VGA01	CMI Module with 1x VGA Port
-----------	-----------------------------

### Package Check List

- CMI Module x1
- Screw Pack x1

## Compatible List

Model No.	CMI-VGA01
DC-1200	V

## Assured Systems

Assured Systems is a leading technology company with over 1,500 regular clients in 80 countries, deploying over 85,000 systems to a diverse customer base in 12 years of business. We offer high-quality and innovative rugged computing, display, networking and data collection solutions to the embedded, industrial, and digital-out-of-home market sectors.

### US

[sales@assured-systems.com](mailto:sales@assured-systems.com)

Sales: +1 347 719 4508  
Support: +1 347 719 4508

1309 Coffeen Ave  
Ste 1200  
Sheridan  
WY 82801  
USA

### EMEA

[sales@assured-systems.com](mailto:sales@assured-systems.com)

Sales: +44 (0)1785 879 050  
Support: +44 (0)1785 879 050

Unit A5 Douglas Park  
Stone Business Park  
Stone  
ST15 0YJ  
United Kingdom

VAT Number: 120 9546 28  
Business Registration Number: 07699660