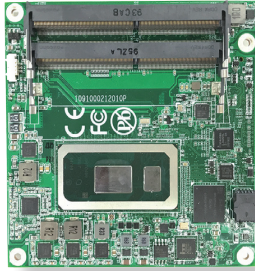




EmETXe-i91U0



8th Generation Intel® Core™ i7-8665UE/i5-8365UE/i3-8145UE/ Celeron 4305UE Processor COM Express® Compact Type 6 CPU Module



Features

- Soldered onboard 8th Generation Intel® Core™ i7-8665UE/ i5-8365UE/ i3-8145UE/ Celeron 4305UE processor
- Intel® I219LM PCIe GbE PHY
- Dual Channels 24-bit LVDS and 2 x DDI ports or 1 x DDI + 1 x Analog RGB
- Support 3 independent displays
- 8.5V~20V Wide Range Voltage Input
- Support Intel® Solid State Drive (SSD) Embedded "E SKU's
- **Wide Range Operating Temp.: -40 ~ 85°C**

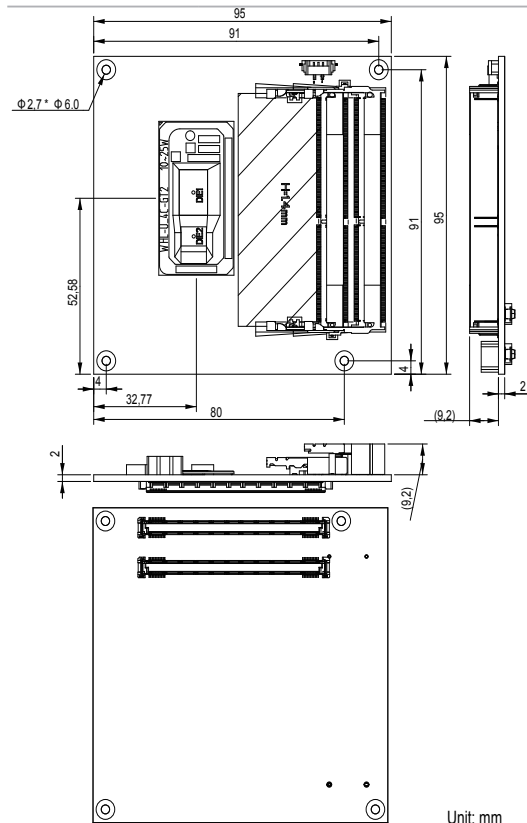
Computer on Module

System	
CPU	Soldered onboard 8 th Generation Intel® Core™ - i7-8665UE 1.7GHz (Base)/ 4.4GHz (Turbo) - i5-8365UE 1.6GHz (Base)/ 4.1GHz (Turbo) - i3-8145UE 2.2GHz (Base)/ 3.9GHz (Turbo) - Celeron 4305UE 2.2GHz processor
Memory	2 x DDR4 SO-DIMM sockets
BIOS	AMI UEFI BIOS
Watchdog Timer	1~255 levels reset
I/O	
USB Port	12 x USB ports: - 8 x USB 2.0 ports - 4 x USB 3.1 ports
Serial Port	2 x UART ports (RX/TX only)
Expansion Bus	8 x PCIe x1 lanes, I2C Interface
Digital I/O	8-bit Digital Input/Output
Storage	2 x Serial ATA ports Soldered onboard eMMC 5.0 up to 32GB (OEM Request)
Ethernet Chipset	1 x Intel® i219LM PCIe GbE PHY
Audio	HD audio link
TPM	Supports TPM (OEM Request)
Display	
Graphic Chipset	Integrated Intel® HD Graphics 620
Graphic Interface	LCD: Dual Channels 24-bit LVDS 2 x DDI ports or 1 x DDI port, 1 x Analog RGB port
OS support	
Windows 10 64-bit	
Linux: Ubuntu	

Mechanical & Environmental

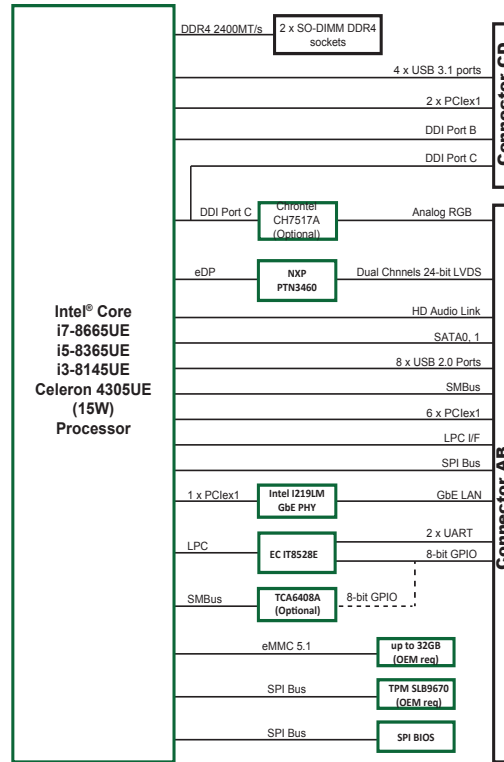
Power Requirement	8.5V~20V +/- 5% wide range voltage input, +5VSB
Power Consumption	2.3A@12V (i7-8665UE typical, CPU module only)
Operating Temp.	-40 ~ 85°C (-40 ~ 185°F)
Operating Humidity	10 ~ 95% @ 85°C (non-condensing)
Dimensions (L x W)	95 x 95 mm (3.7" x 3.7")

Dimensions





Block Diagram



Ordering Information

EmETXe-i91U0-WT-8665UE	8 th Generation Intel® Core™ i7-8665UE WT COM Express® Compact Type 6 CPU module, w/ DDI
EmETXe-i91U0-WT-8365UE	8 th Generation Intel® Core™ i5-8365UE WT COM Express® Compact Type 6 CPU module, w/ DDI
EmETXe-i91U0-WT-8145UE	8 th Generation Intel® Core™ i3-8145UE WT COM Express® Compact Type 6 CPU module-, w/ DDI
EmETXe-i91U0-WT-4305UE	8 th Generation Intel® Core™ Celeron 4305UE WT COM Express® Compact Type 6 CPU module, w/ DDI
EmETXe-i91U0-WT-8665UE-RGB	8 th Generation Intel® Core™ i7-8665UE WT COM Express® Compact Type 6 CPU module, w/ DDI+RGB
EmETXe-i91U0-WT-8365UE-RGB	8 th Generation Intel® Core™ i5-8365UE WT COM Express® Compact Type 6 CPU module, w/ DDI+RGB
EmETXe-i91U0-WT-8145UE-RGB	8 th Generation Intel® Core™ i3-8145UE WT COM Express® Compact Type 6 CPU module-, w/ DDI+RGB
EmETXe-i91U0-WT-4305UE-RGB	8 th Generation Intel® Core™ Celeron 4305UE WT COM Express® Compact Type 6 CPU module, w/ DDI+RGB
EmETXe-i91U0D-WT-8665UE (OEM Request)	8 th Generation Intel® Core™ i7-8665UE COM Express® Compact Type 6 CPU module, w/ 32GB eMMC, DDI
EmETXe-i91U0D-WT-8365UE (OEM Request)	8 th Generation Intel® Core™ i5-8365UE COM Express® Compact Type 6 CPU module, w/ 32GB eMMC, DDI
EmETXe-i91U0D-WT-8145UE (OEM Request)	8 th Generation Intel® Core™ i3-8145UE COM Express® Compact Type 6 CPU module, w/ 32GB eMMC, DDI
EmETXe-i91U0D-WT-4305UE (OEM Request)	8 th Generation Intel® Core™ Celeron 4305UE COM Express® Compact Type 6 CPU module, w/ 32GB eMMC, DDI
EmETXe-i91U0D-WT-8665UE-RGB (OEM Request)	8 th Generation Intel® Core™ i7-8665UE COM Express® Compact Type 6 CPU module, w/ 32GB eMMC, DDI+RGB
EmETXe-i91U0D-WT-8365UE-RGB (OEM Request)	8 th Generation Intel® Core™ i5-8365UE COM Express® Compact Type 6 CPU module, w/ 32GB eMMC, DDI+RGB
EmETXe-i91U0D-WT-8145UE-RGB (OEM Request)	8 th Generation Intel® Core™ i3-8145UE COM Express® Compact Type 6 CPU module, w/ 32GB eMMC, DDI+RGB
EmETXe-i91U0D-WT-4305UE-RGB (OEM Request)	8 th Generation Intel® Core™ Celeron 4305UE COM Express® Compact Type 6 CPU module, w/ 32GB eMMC, DDI+RGB

Optional Accessories

HS-91U0-F2-T	Heat spreader, threaded standoffs (bore hole) (95x95x11mm)
HS-91U0-F2-NT	Heat spreader, non-threaded standoffs (bore hole) (95x95x11mm)
HS-91U0-C1	Heat sink with Fan (95x95x37.6mm)
PBE-1705-F1	COM Express® Type 6 evaluation carrier board with SIO F71869ED module in ATX form factor
CBK-03-1705-00	Cable kit
	1 x SATA cable 2 x Serial port cables

Last update: 21/5/2020

Assured Systems

Assured Systems is a leading technology company with over 1,500 regular clients in 80 countries, deploying over 85,000 systems to a diverse customer base in 12 years of business. We offer high-quality and innovative rugged computing, display, networking and data collection solutions to the embedded, industrial, and digital-out-of-home market sectors.

US

sales@assured-systems.com

Sales: +1 347 719 4508

Support: +1 347 719 4508

1309 Coffeen Ave
Ste 1200
Sheridan
WY 82801
USA

EMEA

sales@assured-systems.com

Sales: +44 (0)1785 879 050

Support: +44 (0)1785 879 050

Unit A5 Douglas Park
Stone Business Park
Stone
ST15 0YJ
United Kingdom

VAT Number: 120 9546 28

Business Registration Number: 07699660