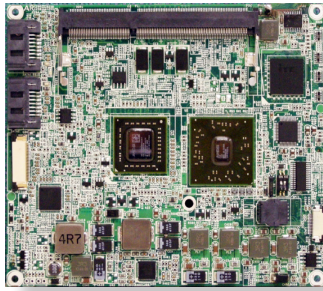




# EmETX-a55E0

# ETX

AMD G-series Processor G-T56N/G-T40N ETX CPU Module



## Features

- Soldered onboard AMD G-series Processor G-T56N/ G-T40N
- Dual Channels 24-bit LVDS, Analog RGB and DDI Port
- SATA RAID supported
- **Extended Operating Temp.: -20 ~ 70°C**

### System

Processor	Soldered onboard AMD G-Series Processor G-T56N 1.65GHz G-T40N 1.0GHz
Chipset	AMD FCH A55E
Memory	1 x DDR3 SO-DIMM socket, supporting up to 8GB 1333MT/s SDRAM
BIOS	AMI BIOS
Watchdog Timer	1~255 levels reset

### I/O

Super IO Chipset	Fintek F71869ED
Serial Port	1 x RS-232 1 x RS-232/422/485 (by Carrier Board)
Parallel Port	SPP/EPP/ECP mode selectable
KB/MS	PS/2 interface for keyboard and mouse
USB 2.0	4 x USB 2.0 ports
Expansion	4 x PCI, ISA, LPC
Storage	2 x Serial ATA ports with 600MB/s HDD transfer rate
Ethernet Chipset	1 x Realtek 8105E PCIe 10/100Base-T Ethernet controller
Audio	Realtek ALC886 7.1 Channel HD Audio CODEC, Mic-in/ Line-in/ Line-out

### Display

Graphic Chipset	Integrated in AMD G-series Processor
Graphic Interface	Analog RGB/DVI: Analog RGB, with resolution up to 2560x1600 LCD: Dual Channels 24-bit LVDS DDI port: 1 x DDI port

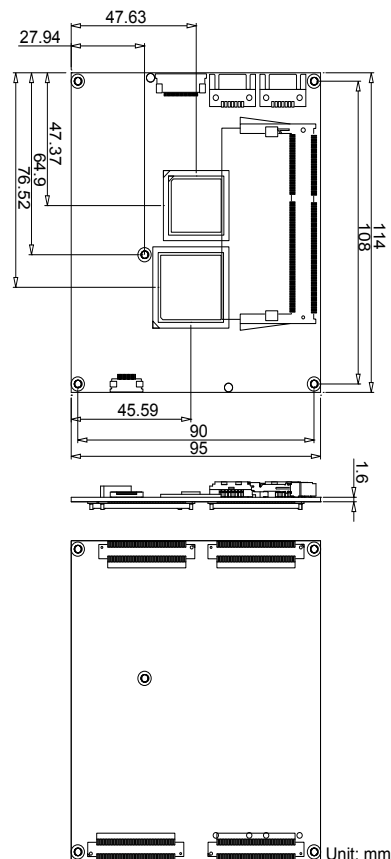
### OS Support

Windows 2000  
Windows XP  
Windows 7

### Mechanical & Environmental

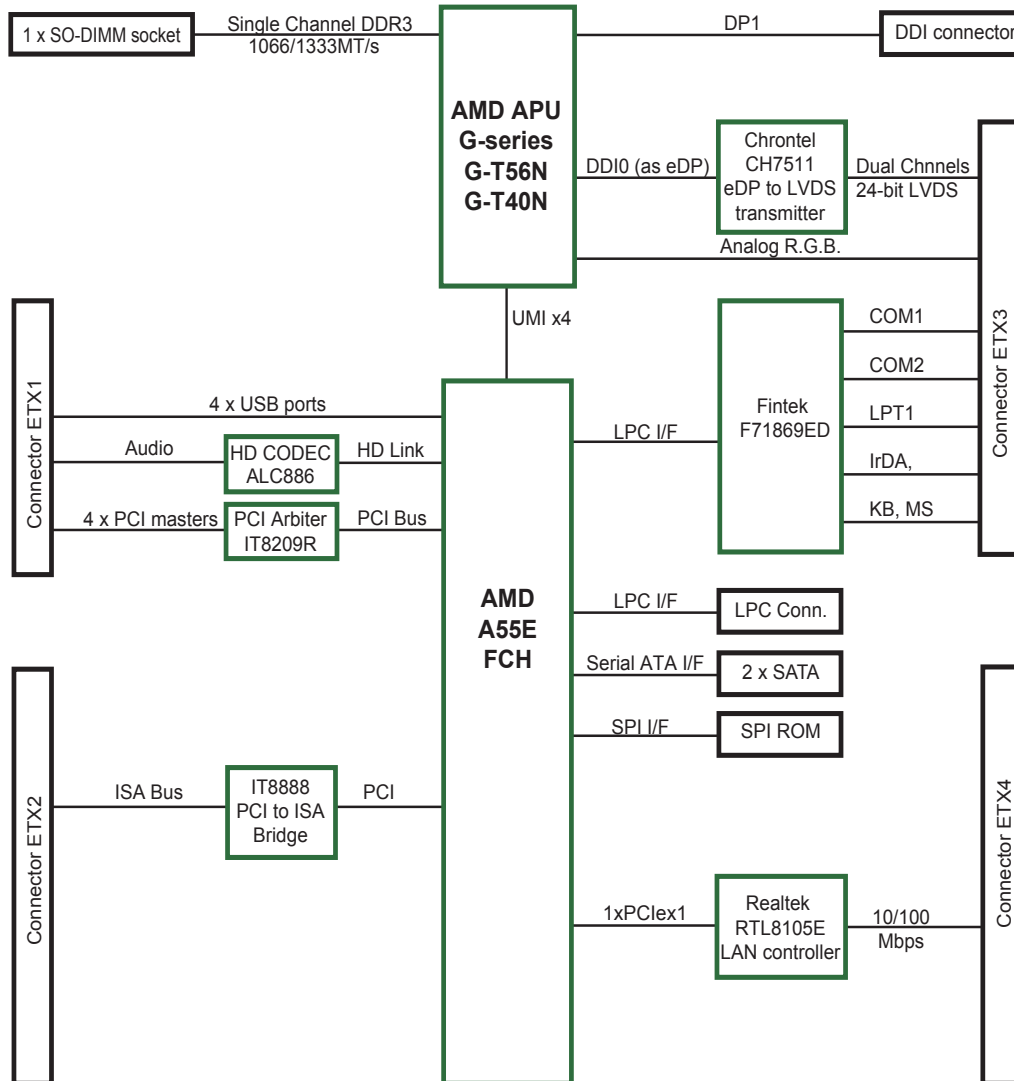
Power Requirement	DC 5V, 5VSB
Power Consumption	3.23A@5V with G-T56N (Typical, with PBE-1000)
Operating Temp.	-20 ~ 70°C (-4 ~ 158°F)
Operating Humidity	10 ~ 95% @ 70°C (non-condensing)
Dimensions (L x W)	114 x 95 mm (4.5" x 3.7")

### Dimensions





**Block Diagram**



**Ordering Information**

EmETX-a55E0-T56N (OEM request)	AMD G-T56N/ A55E ETX CPU module
EmETX-a55E0-T40N	AMD G-T40N/ A55E ETX CPU module

**Optional Accessories**

HS-55E0-F2	Heat spreader 114x95x8mm
HS-0000-W4	Universal evaluation heat sink kit with thermal pad 125x95x22mm, only used on a flat-type heat spreader
CPF-0000-C1	FAN, 4500RPM, 60x60x20mm
PBE-1000 R2.1	ETX evaluation carrier board in ATX form factor
CBK-08-1000-00	Cable kit 1 x FDD cable 3 x Serial port cables 1 x USB cable 2 x IDE cables 1 x TV-out cable

## Assured Systems

Assured Systems is a leading technology company with over 1,500 regular clients in 80 countries, deploying over 85,000 systems to a diverse customer base in 12 years of business. We offer high-quality and innovative rugged computing, display, networking and data collection solutions to the embedded, industrial, and digital-out-of-home market sectors.

### US

[sales@assured-systems.com](mailto:sales@assured-systems.com)

Sales: +1 347 719 4508  
Support: +1 347 719 4508

1309 Coffeen Ave  
Ste 1200  
Sheridan  
WY 82801  
USA

### EMEA

[sales@assured-systems.com](mailto:sales@assured-systems.com)

Sales: +44 (0)1785 879 050  
Support: +44 (0)1785 879 050

Unit A5 Douglas Park  
Stone Business Park  
Stone  
ST15 0YJ  
United Kingdom

VAT Number: 120 9546 28  
Business Registration Number: 07699660