

ARCDIS-117AP/R/G(H)

17" Front Panel IP66 Aluminum Die-casting Display

Industrial Panel PC

HMI Controller

Industrial Display Monitor

Box PC



Features

- Industrial Display
- Flat front panel touch screen
- Fanless design
- Wide range DC 9~36V power input
- IP66 compliant front panel
- VGA/DVI-D/HDMI/DP input
- System power LED light
- High Brightness LCD and Auto Dimming for option
- Support protective AR glass for option (non-touch version)

Specifications

| I/O Port | |
|----------------------|---|
| VGA | 1 x VGA |
| DVI | 1 x DVI-D (share with HDMI) |
| DP | 1 x DP |
| HDMI | 1 x HDMI (share with DVI-D) |
| Audio | 1 x Audio line-in phone jack |
| OSD Control Membrane | OSD at rear side |
| Power | 1 x 3-pin terminal block for DC 9~36V power input |
| Others | 1 x USB type B for touch control Optional I/O: 1 x Speaker 1 x RS-232 DB-9 for touch control |

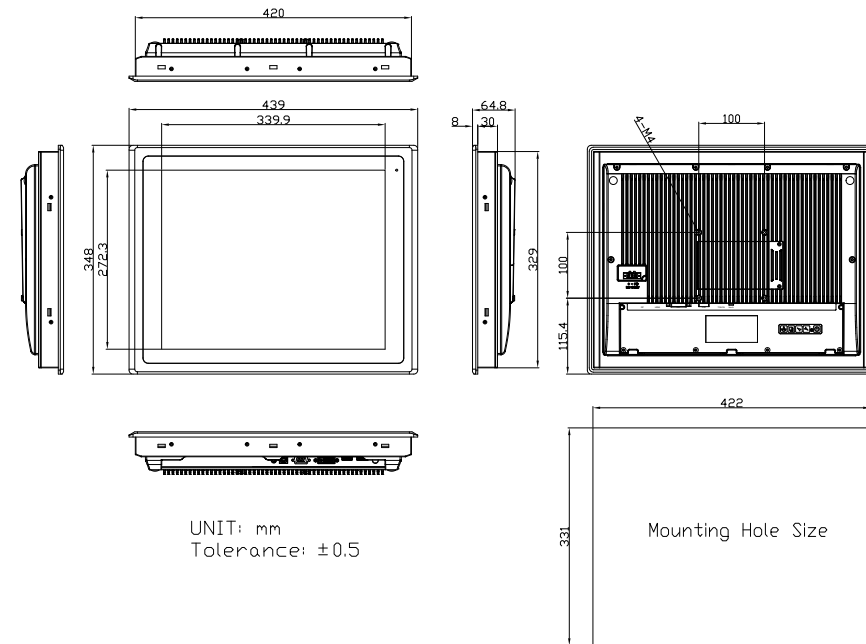
| Display | Standard | High Brightness Optional |
|--------------------------------|-----------------|--------------------------|
| Display Type | 17" TFT-LCD | 17" TFT-LCD |
| Max. Resolution | 1280 x 1024 | 1280 x 1024 |
| Max. Color | 16.2M | 16.7M |
| Luminance (cd/m ²) | 350 | 1000 |
| View Angle | 170(H) / 160(V) | 170(H) / 160(V) |
| Contrast | 1000:1 | 1000:1 |
| Backlight Lifetime | 30,000 hrs | 50,000 hrs |

| Touch Screen | |
|-----------------------|---|
| Type | Resistive Touch (for AR Model) Projected Capacitive Touch (for AP Model) Glass (for AG model) |
| Interface | USB default (Resistive / Projected Capacitive Touch) RS-232 Option (Resistive Touch) |
| Light Transmission(%) | Resistive Touch : over 80% Projected Capacitive Touch : over 90% |

| Power | |
|-------------------|-------------------------|
| Power Input | DC 9~36V |
| Power Consumption | ARCDIS-117AP: 11W (MAX) |

| Mechanical | |
|--------------------|---|
| Construction | Aluminum Front Bezel/ Aluminum Die-casting for Back Cover |
| Mounting | Panel Mount / VESA Mount 100 x 100 |
| IP Rating | IP66 Compliant Front Panel |
| Dimensions (WxHxD) | 439 x 348 x 64.8 mm |
| Net Weight | 6 kg |

Dimensions



| Environmental | |
|-----------------------|----------------------------------|
| Operating Temperature | 0~50°C / -20~60°C for option |
| Storage Temperature | -30~70°C |
| Humidity | 10 to 95% @ 40°C, non-condensing |
| Certificate | CE/FCC, Class A |

| Ordering Information | |
|----------------------|--|
| ARCDIS-117AR | 17" SXGA FPD Industrial display, Resistive touch window, VGA, DVI-D, HDMI, and DP input, 5 keys Rear OSD, DC 9~36V power input with adapter, Aluminum Die-casting Chassis |
| ARCDIS-117AP | 17" SXGA FPD Industrial display, Projected Capacitive touch screen, VGA, DVI-D, HDMI, and DP input, 5 keys Rear OSD, DC 9~36V power input with adapter, Aluminum Die-casting Chassis |

Assured Systems

Assured Systems is a leading technology company with over 1,500 regular clients in 80 countries, deploying over 85,000 systems to a diverse customer base in 12 years of business. We offer high-quality and innovative rugged computing, display, networking and data collection solutions to the embedded, industrial, and digital-out-of-home market sectors.

US

sales@assured-systems.com

Sales: +1 347 719 4508
Support: +1 347 719 4508

1309 Coffeen Ave
Ste 1200
Sheridan
WY 82801
USA

EMEA

sales@assured-systems.com

Sales: +44 (0)1785 879 050
Support: +44 (0)1785 879 050

Unit A5 Douglas Park
Stone Business Park
Stone
ST15 0YJ
United Kingdom

VAT Number: 120 9546 28
Business Registration Number: 07699660