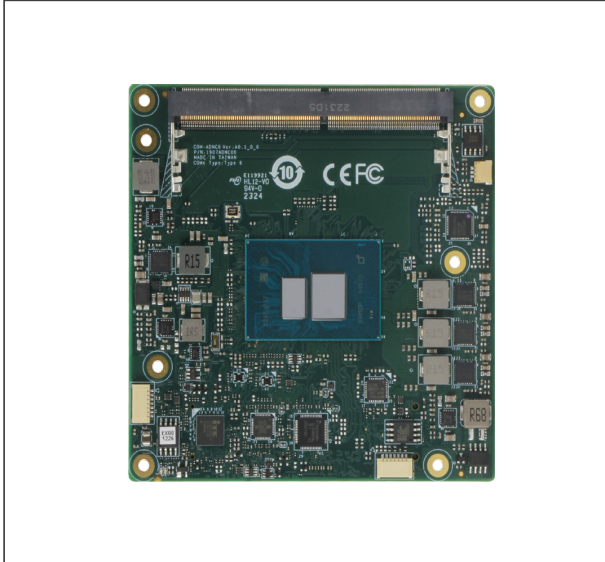


COM-ADNC6

COM Express Type 6 Compact Size with Intel Atom® X Series/N-series/Core™ i3 Processors

COM Express CPU Modules



Features

- Intel Atom® X Series/N-series/Core™ i3-N305 CPU, max TDP 15W
- DDR5 SODIMM x 1, up to 16GB (non-ECC)
- Intel® Ethernet Controller I226-V/IT x 1
- SATA 6Gb/s x 2
- USB 2.0 x 8, USB 3.2 Gen 2 x 2
- PCIe [x4] (PCIe [x1] x 4 or [x2] x2), Up to 4 PCIe devices
- COM Express Type 6, Compact size, 95 x 95mm



Specifications

System	
Form Factor	COM Express Type 6, Compact Size
CPU	Intel Atom® X Series/N-series/Core™ i3-N305 CPU Intel® Core™ i3-N305 (8C, up to 3.8 GHz, 15W) Intel Atom® x7425E (4C, up to 3.4 GHz, 12W) Intel Atom® x7211E (2C, up to 3.2 GHz, 6W) Intel® Processor N97 (4C, up to 3.6 GHz, 12W) Intel® Processor N50 (2C, up to 3.4 GHz, 6W)
Chipset	Integrated with Intel® SoC
Memory	DDR5 4800MHz Single Channel, SODIMM x1, up to 16GB
Onboard Storage	—
BIOS	AMI BIOS (UEFI)
Wake on LAN	Yes
Watchdog Timer	255 Levels
Dimension	3.74" x 3.74" (95mm x 95mm)
Security	TPM 2.0
Power	
Power Requirement	+12V and +5VSB for ATX, +12V for AT
Power Type	AT (default)/ATX, switch by BIOS
Power Consumption (Typical)	Intel® Core™ i3-N305, 1.57A @+12V
Display	
Graphics Controller	Intel® UHD Graphics
Video Output	3 Displays: 18/24-bit Single/Dual-Channel LVDS/eDP x 1, up to 1920 x 1080/ 3840 x 2160 DP x 2, up to 3840 x 2160
I/O	
Ethernet	Intel® Ethernet Controller I226-V or I226-IT 2.5GbE x 1
Audio	High Definition Audio Interface
USB Port	USB 2.0 x 8, USB 3.2 Gen 2 x 2
Serial Port	2-Wire UART x 2 (Tx/Rx)
HDD Interface	SATA 6Gb/s x 2
Expansion	PCIe [x1] x 4 or [x2] x 2, LPC, WDT, HWM
GPIO	8-bit
SMBus/I2C	I2C x 1, SMBus x 1
Environment	
Operating Temperature	-4°F ~ 158°F (-20°C ~ 70°C) -40°F ~ 185°F (-40°C ~ 85°C) on selected CPU SKU
Storage Temperature	-40°F ~ 185°F (-40°C ~ 85°C)
Operating Humidity	0% ~ 90% relative humidity, non-condensing
EMC	CE/FCC Class A
OS Support	Windows® 10 (64-bit) Linux Ubuntu 22.04.02/Kernel 5.19
Weight	0.26 lb. (0.12Kg)

Packing List

- COM-ADNC6 x 1

Optional Accessories

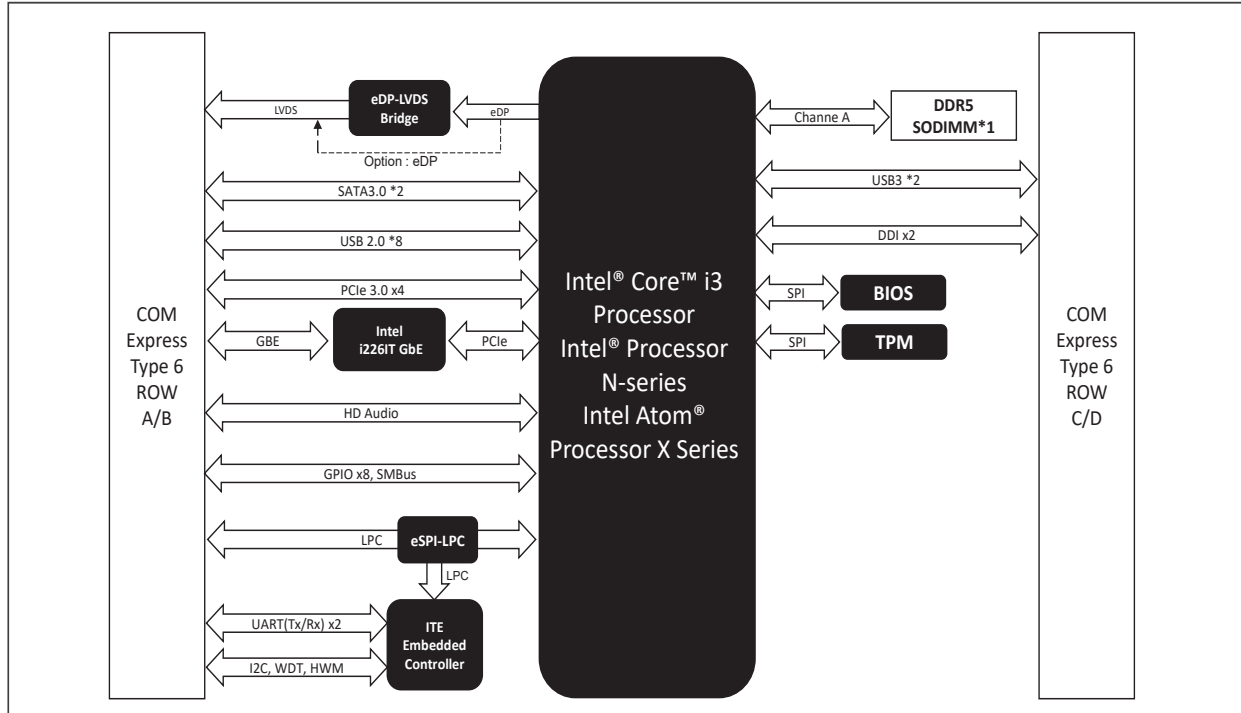
Part Number	Description
COM-ADNC6-FAN01	Cooler.95*95*29mm.4pin
COM-ADNC6-HSK01	Heat sink.AI.95x95x34mm.Silver
COM-ADNC6-HSP01	Heat Spreader.95*95*11mm
ECB-920A-A11-0001	COMe Type 6/10.Carrier Board.ATX.2.5GbE.8USB.2COM.4SATA.PCIe.AT/ATX. Rev.A1.1

COM-ADNC6

04

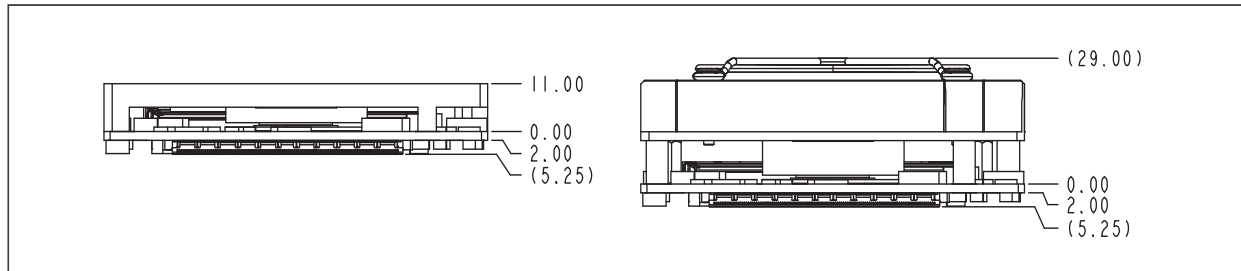
COM Express CPU Modules

Block Diagram



Dimension

Unit: mm



Ordering Information

Part Number	COM Express Type	CPU	Memory	ECC support	Display	Storage	LAN	USB	UART	Expansion	Power	Temperature	Others
COM-ADNC6-A10-0001	Type 6	Intel® Core™ i3-N305	DDR5 SODIMM x1	—	LVDS x1, DDI x2	SATA 6Gb/s x2	Intel® Ethernet Controller I226-V x1	USB 2.0 x 8, USB 3.2 Gen 2 x 2	2-Wire UART x 2 (Tx/Rx)	PCIe x4 lanes ([x1]*4 or [x2]*2)	12V	-20°C ~ 70°C	LPC, GPIO 8-bit, I2C, SMBus
COM-ADNC6-A10-0002	Type 6	Intel® Processor N97	DDR5 SODIMM x1	—	LVDS x1, DDI x2	SATA 6Gb/s x2	Intel® Ethernet Controller I226-V x1	USB 2.0 x 8, USB 3.2 Gen 2 x 2	2-Wire UART x 2 (Tx/Rx)	PCIe x4 lanes ([x1]*4 or [x2]*2)	12V	-20°C ~ 70°C	LPC, GPIO 8-bit, I2C, SMBus
COM-ADNC6-A10-0003	Type 6	Intel® Processor N50	DDR5 SODIMM x1	—	LVDS x1, DDI x2	SATA 6Gb/s x2	Intel® Ethernet Controller I226-V x1	USB 2.0 x 8, USB 3.2 Gen 2 x 2	2-Wire UART x 2 (Tx/Rx)	PCIe x4 lanes ([x1]*4 or [x2]*2)	12V	-20°C ~ 70°C	LPC, GPIO 8-bit, I2C, SMBus
COM-ADNC6-A10-0004	Type 6	Intel Atom® x7425E	DDR5 SODIMM x1	—	eDP x1, DDI x2	SATA 6Gb/s x2	Intel® Ethernet Controller I226-V x1	USB 2.0 x 8, USB 3.2 Gen 2 x 2	2-Wire UART x 2 (Tx/Rx)	PCIe x4 lanes ([x1]*4 or [x2]*2)	12V	-20°C ~ 70°C	LPC, GPIO 8-bit, I2C, SMBus
COM-ADNC6W2-A10-0001	Type 6	Intel® Core™ i3-N305	DDR5 SODIMM x1	—	LVDS x1, DDI x2	SATA 6Gb/s x2	Intel® Ethernet Controller I226-IT x1	USB 2.0 x 8, USB 3.2 Gen 2 x 2	2-Wire UART x 2 (Tx/Rx)	PCIe x4 lanes ([x1]*4 or [x2]*2)	12V	-40°C ~ 85°C	LPC, GPIO 8-bit, I2C, SMBus

Assured Systems

Assured Systems is a leading technology company with over 1,500 regular clients in 80 countries, deploying over 85,000 systems to a diverse customer base in 12 years of business. We offer high-quality and innovative rugged computing, display, networking and data collection solutions to the embedded, industrial, and digital-out-of-home market sectors.

US

sales@assured-systems.com

Sales: +1 347 719 4508
Support: +1 347 719 4508

1309 Coffeen Ave
Ste 1200
Sheridan
WY 82801
USA

EMEA

sales@assured-systems.com

Sales: +44 (0)1785 879 050
Support: +44 (0)1785 879 050

Unit A5 Douglas Park
Stone Business Park
Stone
ST15 0YJ
United Kingdom

VAT Number: 120 9546 28
Business Registration Number: 07699660