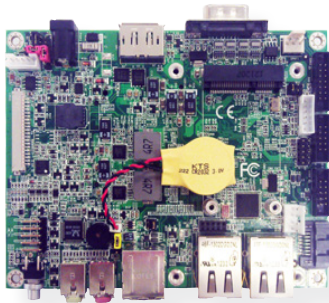




PBN-9007



COM Express® Mini Type 10 Carrier Board



Features

- **COM Express® MiniType 10 Carrier Board**
- Single Channel 24-bit LVDS, and DisplayPort
- Soldered onboard Touch Screen Controller
- **Wide Range Operating Temp.: -40 ~ 85°C**

I/O

Super IO Chipset	Fintek F71869ED
Serial Port	1 x RS-232 1 x RS-232/422/485 selectable
Digital I/O	8-bit Programmable
Keyboard & Mouse	USB interface Keyboard/ Mouse
USB 2.0	4 x USB 2.0 ports
USB 3.0	2 x USB 3.0 ports
Expansion	1 x Mini-Card Socket, SIM socket
Storage	1 x SATA connector 1 x CFAST socket
Ethernet Chipset	1 x by CPU module 1 x Intel 82583V PCIe GbE controller
Digital I/O	8-bit Programmable
Audio	Realtek ALC662 5.1 Channel HD Audio CODEC, Mic-in/ Line-in/ Line-out

Display

Graphic Interface	LCD: 1 x LVDS connector DDI port: 1 x DisplayPort connector
-------------------	--

Touch Screen Interface

Mode	5-pin header wire
------	-------------------

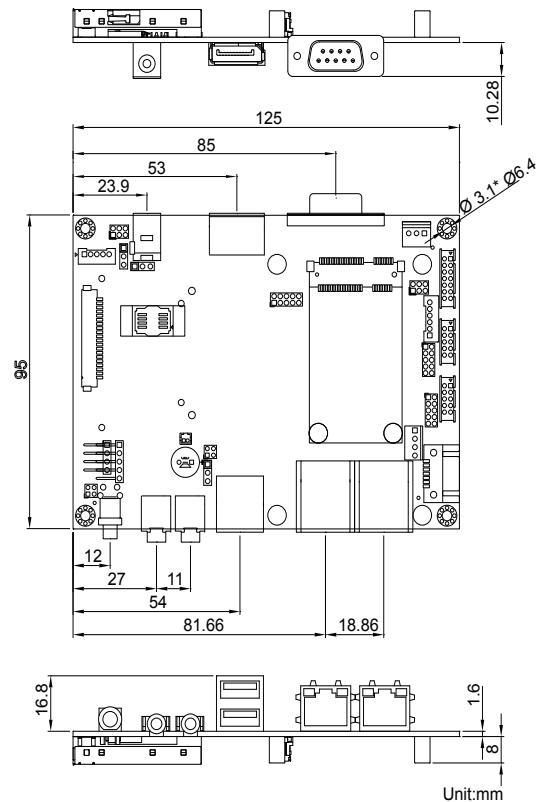
OS Support

Depends on CPU Module	
-----------------------	--

Mechanical & Environmental

Power Requirement	DC 12V
Power Consumption	1.05A@12V with EmNANO-i2300-E3825 (Typical)
Operating Temp.	-40 ~ 85°C (-40 ~ 185°F)
Operating Humidity	10 ~ 95% @ 85°C (non-condensing)
Dimensions (L x W)	125 x 95 mm (4.9" x 3.7")

Dimensions

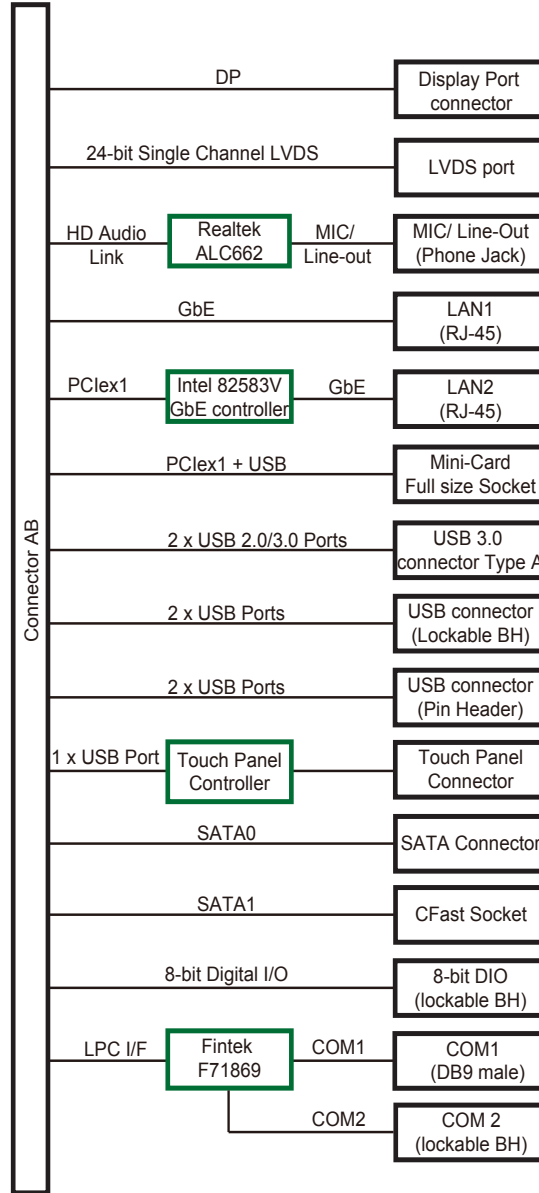


Computer on Module

All specifications are subject to change without notice.



Block Diagram



Ordering Information

PBN-9007 COM Express® Mini Type 10 carrier board

Optional Accessories

CBK-05-9007-00
Cable kit
1 x SATA cable
1 x SATA power cable
1 x Serial port cable
1 x USB cable
1 x PS/2 cable

Assured Systems

Assured Systems is a leading technology company with over 1,500 regular clients in 80 countries, deploying over 85,000 systems to a diverse customer base in 12 years of business. We offer high-quality and innovative rugged computing, display, networking and data collection solutions to the embedded, industrial, and digital-out-of-home market sectors.

US

sales@assured-systems.com

Sales: +1 347 719 4508
Support: +1 347 719 4508

1309 Coffeen Ave
Ste 1200
Sheridan
WY 82801
USA

EMEA

sales@assured-systems.com

Sales: +44 (0)1785 879 050
Support: +44 (0)1785 879 050

Unit A5 Douglas Park
Stone Business Park
Stone
ST15 0YJ
United Kingdom

VAT Number: 120 9546 28
Business Registration Number: 07699660