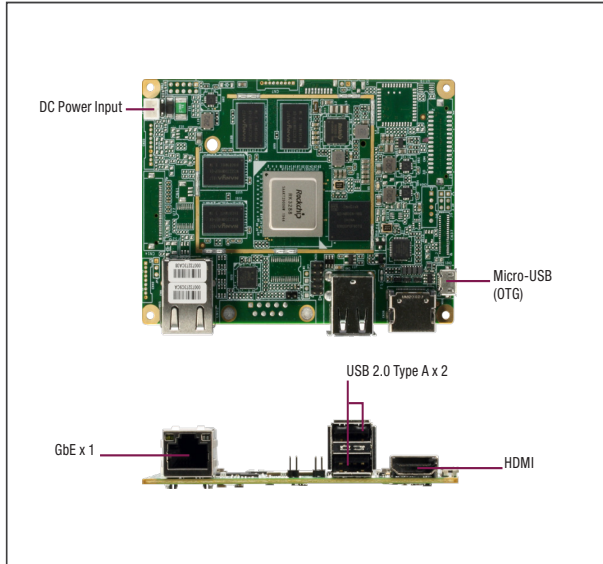


RICO-3288MINI

Pico-ITX Fanless Board with Rockchip ARM Cortex™-A17 Quad-core Processor

RISC Boards



Features

- Rockchip RK3288
- Onboard DDR3L 2GB
- Onboard eMMC 16GB
- HDMI (1.4): Up to 4K x 2K @ 60Hz
- GbE: RJ45 x 1
- USB 2.0: Micro-USB OTG x 1, Type A x 2
- 8-bit GPIO
- +12V DC Input
- OS Support: Android 9.0 / Debian
- Small Board Size: 100mm x 72mm (PICO-ITX)



Specifications

System	
Form Factor	Pico-ITX (100mm x 72mm)
CPU	Rockchip RK3288 ARM Cortex™-A17 Quad-core 1.6 GHz
GPU	Mali-T764
Graphics	Video Decode: MPEG-1, MPEG-2, MPEG-4, H.263, H.264, AVS, VC-1, VP8, MVC Video Encode: H.264 (BP@level4.0, MP@level4.0, HP@level4.0), MVC and VP8
Memory Capacity	Onboard DDR3L 2GB
Storage/SSD	16GB eMMC
Operating System	Android 9.0 / Debian
Kernel	Kernel 4.4
Watchdog Timer	Integrated
Power Requirement	+12V DC input
Power Consumption (Typical)	0.6A@12V, full load, Quad-core CPU
Dimension	3.94" x 2.84" (100mm x 72mm)
Gross Weight	0.22 lb (0.1 Kg)
Operating Temperature	32°F ~ 140°F (0°C ~ 60°C)
Storage Temperature	-40°F ~ 176°F (-40°C ~ 80°C)
Operating Humidity	0% ~ 90% relative humidity, non-condensing
MTBF (Hours)	80,000
Certification	CE/FCC
Display	
HDMI	HDMI (1.4) up to 4K x 2K @60Hz
eDP	—
LVDS	—
MIPI	—
RF Function	
WiFi	—
BT	—
I/O	
Ethernet	GbE x 1
USB Port	Micro-USB OTG x 1 USB 2.0 Type A x 2
Serial Port	—
Audio	—
GPIO	8-bit (4-in, 4-out)
Expansion Slot	—
SIM Slot	—
SD Socket	—
Camera	—

Packing List

- RICO-3288MINI
- MB Power Cable
- RTC Battery

Optional Accessories

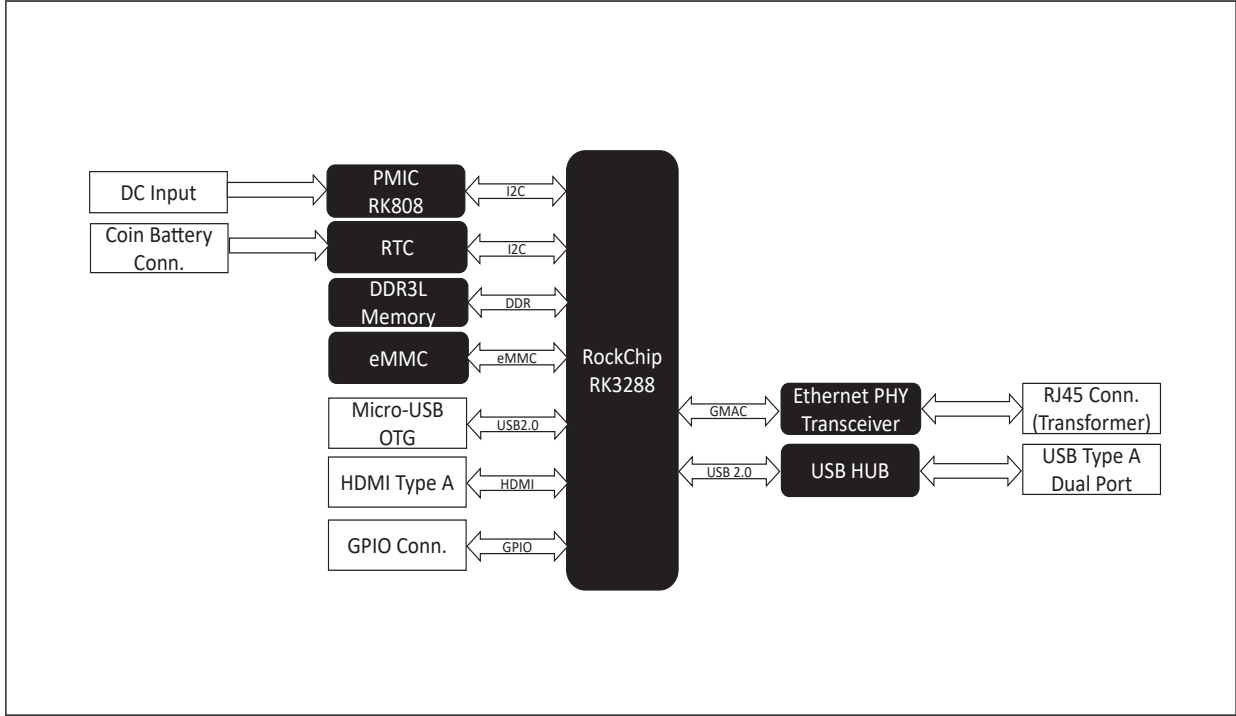
Part Number	Description	Qty.
125530060Y	12V/60W Power Adapter	1

RICO-3288MINI

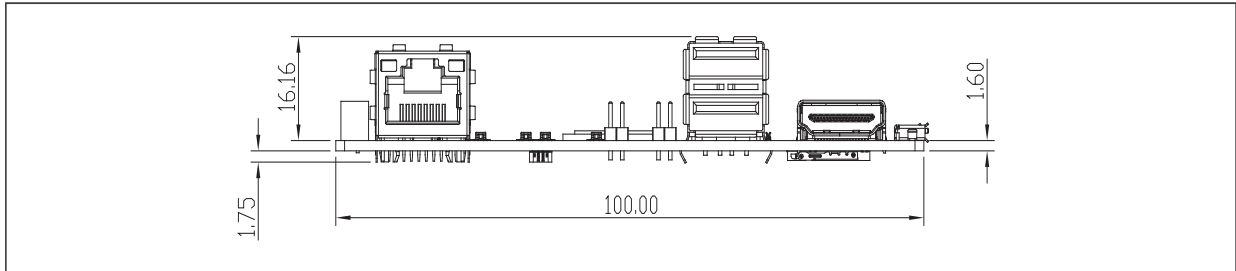
02

RISC Boards

Block Diagram Unit: mm



Dimension Unit: mm



Ordering Information

Part Number	CPU	RAM	Storage	LAN	RS-232/422/485	USB	Display	WiFi & BT	3G/LTE Slot
RICO-3288MINI-A11-0001	ARM Cortex-A17 1.6GHz	2GB DDR3L	16GB eMMC	GbE x1	—	3	1 (HDMI)	—	—

Assured Systems

Assured Systems is a leading technology company with over 1,500 regular clients in 80 countries, deploying over 85,000 systems to a diverse customer base in 12 years of business. We offer high-quality and innovative rugged computing, display, networking and data collection solutions to the embedded, industrial, and digital-out-of-home market sectors.

US

sales@assured-systems.com

Sales: +1 347 719 4508
Support: +1 347 719 4508

1309 Coffeen Ave
Ste 1200
Sheridan
WY 82801
USA

EMEA

sales@assured-systems.com

Sales: +44 (0)1785 879 050
Support: +44 (0)1785 879 050

Unit A5 Douglas Park
Stone Business Park
Stone
ST15 0YJ
United Kingdom

VAT Number: 120 9546 28
Business Registration Number: 07699660