

# IMB-1316

Micro-ATX Motherboard

## KEY FEATURES

- Intel® 14th/13th/12th Gen (Raptor Lake-S Refresh/Raptor Lake-S/Alder Lake-S) Core™ Processors with Q670 chipset
- 4 x 288-pin Long-DIMM DDR5 4400/5600 MHz, up to 192GB (48GB per DIMM)
- 1 x PCIe16 (Gen5), 1 x PCIe8 (Gen5), 2 x PCIe4 (Gen4), 1 x USB 3.2 Gen2x2, 6 x USB 3.2 Gen2, 1 x USB 3.2 Gen1, 2 x USB 2.0, 1 x M.2 Key E, 2 x M.2 Key M, 1 x M.2 Key B, 6 x COM, 8 x SATA3
- 1 x Intel 2.5 Gigabit LAN, 1 x Intel 1 Gigabit LAN
- Supports Quad display, 2 x HDMI 2.0b, 1 x DP 1.4a, 1 x LVDS
- TPM 2.0 onboard IC
- Supports Intel® vPro, VMD RAID 0/1/5/10
- ATX PWR (24+8 Pin)

## SPECIFICATIONS

### Form Factor

Dimensions	Micro-ATX (9.6-in x 9.6-in x 1.4-in, 24.4 cm x 24.4 cm x 3.6 cm)
------------	------------------------------------------------------------------

### Processor System

CPU	Intel® 14th/13th/12th Gen (Raptor Lake-S Refresh/Raptor Lake-S/Alder Lake-S) Core™ Processors, up to 125W
Chipset	Intel® Q670
Socket	LGA 1700
BIOS	AMI SPI 256 Mbit

### Memory

Technology	Dual Channel DDR5 4400/5600 MHz* *Actual memory frequency depends on the CPU types and DRAM modules, for more information refer to <a href="https://www.asrockind.com/en-gb/index.php?route=newsblog/faq&amp;faq_id=90">https://www.asrockind.com/en-gb/index.php?route=newsblog/faq&amp;faq_id=90</a> technical FAQ *For DDR5 5600 support refer to memory support list
Capacity	192GB (48GB per DIMM)
Socket	4 x 288-pin Long-DIMM

### Graphics

Controller	Intel® UHD Graphics
HDMI	2 x HDMI 2.0b Max resolution up to 4096 x 2160@60Hz
DisplayPort	DisplayPort 1.4a, DP++ Max resolution up to 4096x2160@60Hz
LVDS	Dual channel 24 bit up to 1920 x 1200@60Hz
MultiDisplay	Quad Display

### Expansion Slot

PCIe	2 x PCIe Gen5 Slots (PCIe1/PCIe4;single at x16(PCIe1); dual at x8 (PCIe1) / x8 (PCIe4)) (PCIe1: Support riser card x8/x8) 2 x PCIe4 (Gen4)* *If using PCIe8/x16 card on PCIe2 slot, M.2 Key M2(M2_M2) is limited to install.
M.2	1 x M.2 (Key E, 2230) with PCIe x1, USB 2.0 and CNVi for Wireless 1 x M.2 (Key B, 3042/3052) with PCIe1, USB 3.2 Gen1, USB 2.0 and SIM for 4G/5G
SIM Socket	1x SIM socket connected to M.2 key B

### Audio

Interface	Realtek ALC897 HD, High Definition Audio. Line-In, Line-Out, Mic-In
-----------	---------------------------------------------------------------------

### Ethernet

Controller/ Speed	LAN1: Intel® I226LM with 10/100/1000/2500 Mbps, support vPro LAN2: Intel® I210AT with 10/100/1000 Mbps
Connector	2 x RJ-45

### Rear I/O

HDMI	2 x HDMI 2.0b
DisplayPort	1 x DP++
Ethernet	1 x 2.5 Gigabit LAN 1 x 1 Gigabit LAN
USB	2 x USB 2.0 5 x USB 3.2 Gen2 1 x USB 3.2 Gen2x2 (Type C, 5V/3A)
Audio	3 (Line-In/Line-Out/Mic-In)
Serial Port	COM1 (RS-232/422/485)

### Internal Connector

USB	1 x USB 3.2 Gen1 vertical Con 1 x USB 3.2 Gen2 vertical Con
COM	COM2 (RS-232/422/485) COM3, COM4, COM5, COM6 (RS-232)
Parallel	1 (shared with GPIO)
GPIO	8 x GPI, 8 x GPO (shared with LPT header)
LVDS	1
Speaker Header	1
PS/2	1 x PS/2 header
Thunderbolt header	1 (only use with PCIe3)

### Storage

M.2	1 x M.2 (Key M, 2242/2280/25110) with PCIe4 Gen4 for SSD 1 x M.2 (Key M, 2242/2280) with PCIe4 Gen3 for SSD
SATA	8 x SATA3
RAID	Intel® VMD RAID 0/1/5/10 ***supported by identical interface (PCIe or SATA) PCIe interface: M.2 Key B + M.2 Key M1/2 or 2* M.2 Key M SATA interface: SATA port

### Security

TPM	TPM 2.0 onboard IC
-----	--------------------

### Watchdog Timer

Output	From Super I/O to drag RESETCON#
Interval	256 Segments, 0, 1, 2, ...255sec

### Power Requirements

Input PWR	ATX PWR (24+8-pin)
Power On	AT/ATX Supported - AT : Directly PWR on as power input ready - ATX : Press button to PWR on after power input ready

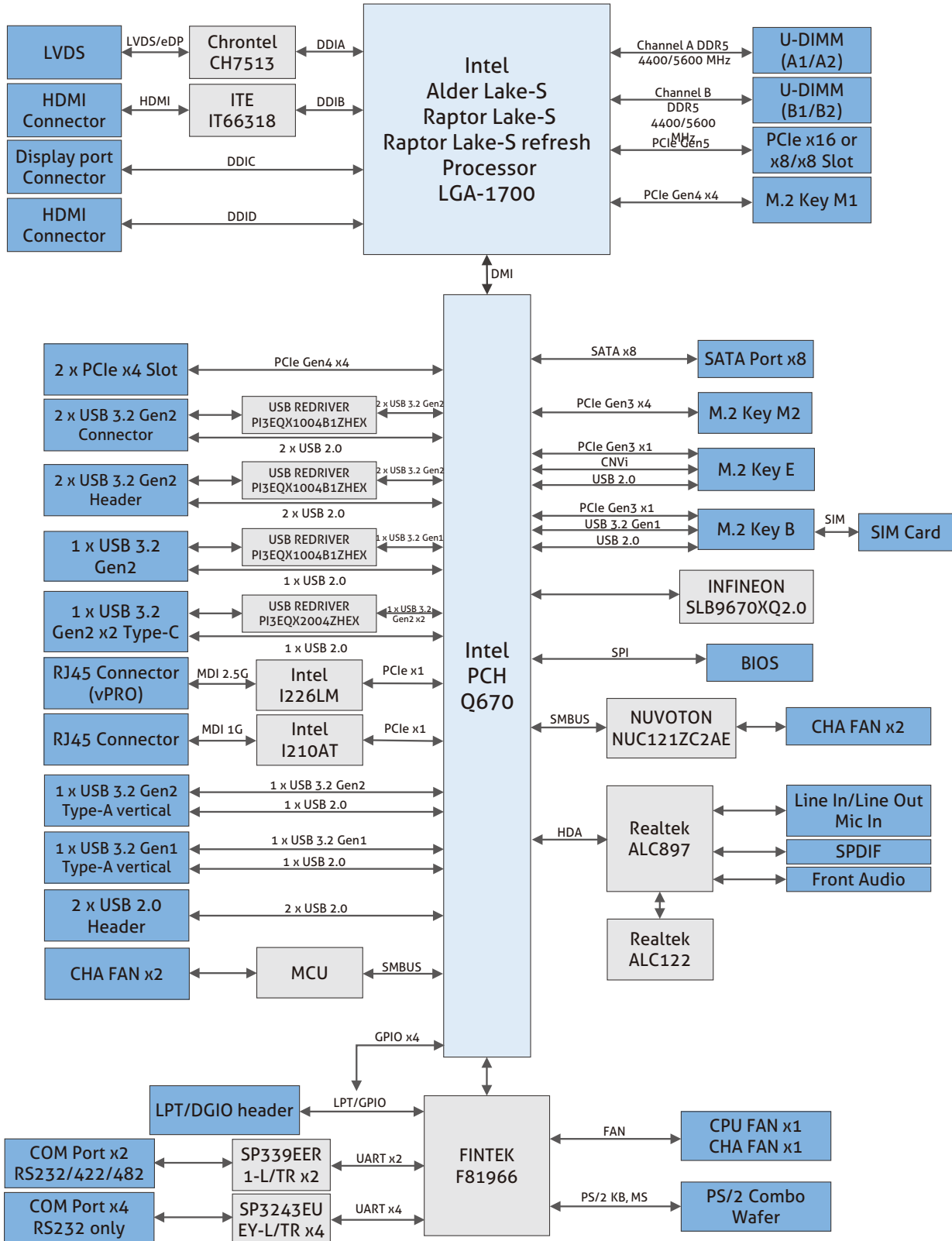
### Environment

Operating Temp	-20°C ~ 70°C
Storage Temp	-40° C ~ 85° C
Operating Humidity	5% ~ 90%
Storage Humidity	5% ~ 90%

# IMB-1316

Micro-ATX Motherboard

## BLOCK DIAGRAM



The specification is subject to change without notice. The brand and product names are trademarks of their respective companies. Any configuration other than original product specification is not guaranteed.

## Assured Systems

Assured Systems is a leading technology company with over 1,500 regular clients in 80 countries, deploying over 85,000 systems to a diverse customer base in 12 years of business. We offer high-quality and innovative rugged computing, display, networking and data collection solutions to the embedded, industrial, and digital-out-of-home market sectors.

### US

[sales@assured-systems.com](mailto:sales@assured-systems.com)

Sales: +1 347 719 4508  
Support: +1 347 719 4508

1309 Coffeen Ave  
Ste 1200  
Sheridan  
WY 82801  
USA

### EMEA

[sales@assured-systems.com](mailto:sales@assured-systems.com)

Sales: +44 (0)1785 879 050  
Support: +44 (0)1785 879 050

Unit A5 Douglas Park  
Stone Business Park  
Stone  
ST15 0YJ  
United Kingdom

VAT Number: 120 9546 28  
Business Registration Number: 07699660