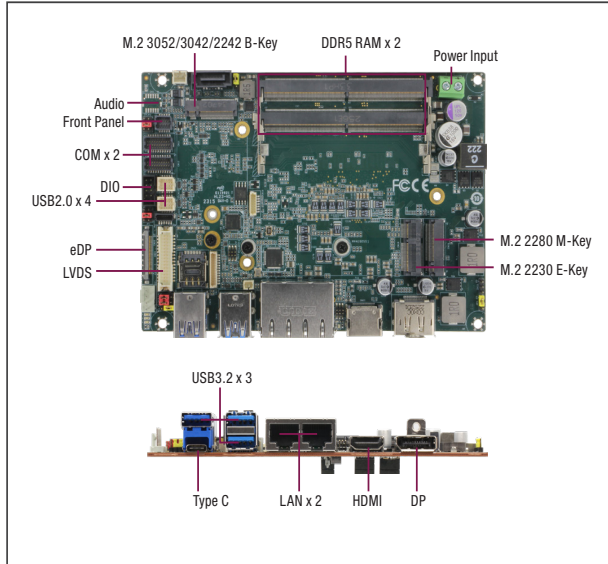


GENE-RAP6

3.5" SubCompact Board with 13th Generation Intel® Core™ i7/i5/i3 Processor SoC

SubCompact Boards



Features

- 13th Generation Intel® Core™ i7/i5/i3/U-series Processor SoC
- DDR5 4800, Dual Channel SODIMM x 2, up to 64GB
- LVDS x 1, eDP x1, DP x 1, HDMI x 1
- 2.5GbE x 1, GbE x 1, SATA 6Gb/s x 1, DIO 8-bit
- USB 3.2 Gen 2 x 3, USB 2.0 x 4, USB Type C x 1, RS-232/422/485 x 4
- M.2 2280 M-Key x 1, M.2 2230 E-Key x 1, M.2 3052/3042/2242 B-Key x 1
- Wide DC Input 9-36V



INTERNAL I/O	
USB	USB 2.0 x 4
SERIAL PORT	COM 1, COM 2 (RS-232/422/485, supports 5V/12V/RI) COM 3, COM 4 (RS-232/422/485)
VIDEO	LVDS x 1 eDP x 1 Inverter x 1 (12V/2A)
SATA	SATA 6.0 Gb/s x 1 +5V SATA Power Connector x 1
AUDIO	Audio Header x 1 (Optional)
DIO/GPIO	GPIO 8-bit
SMBus/I2C	SMBus/I2C x 1 (Default: SMBus)
TOUCH	—
FAN	4pins Smart Fan x 1
SIM	Nano SIM x 1
FRONT PANEL	HDD LED, PWR LED, Power Button, Buzzer, Reset
OTHERS	—
EXPANSION	
Mini PCI-E/mSATA	—
M.2	M.2 2280 M-Key x 1 (PCIe 4.0 [x4] x1) M.2 3052/3042/2242 B-Key x 1 (PCIe 3.0 [x2]/SATA + USB3.2), Default: SATA (selected by BIOS) M.2 2230 E-Key x 1 (PCIe 3.0 [x1] + USB2.0)
OTHERS	FPC x 1 (PCIe 4.0 [x4] x1), Only support Graphic or NVME
ENVIRONMENT & CERTIFICATION	
OPERATING TEMP.	32°F ~ 140°F (0°C ~ 60°C)
STORAGE TEMP.	-40°F ~ 185°F (-40°C ~ 85°C)
OPERATING HUMIDITY	0% ~ 90% relative humidity, non-condensing
MTBF (HOURS)	338,172
EMC	CE/FCC Class A

Specifications

SYSTEM	
FORM FACTOR	3.5" SubCompact Board
CPU	13th Generation Intel® Core™/U-series Processors: Intel® Core™ i7-1370PE (6PC+8EC/20T, 1.90 GHz, 28W) Intel® Core™ i7-1370PRE (6PC+8EC/20T, 1.90 GHz, 28W) Intel® Core™ i5-1340PE (4PC+8EC/16T, 1.80 GHz, 28W) Intel® Core™ i5-1335UE (2PC+8EC/12T, 1.30 GHz, 15W) Intel® Core™ i3-1320PE (4PC+4EC/12T, 1.70 GHz, 28W) Intel® Processor U300E (1PC+4EC/6T, 1.10 GHz, 15W)
CHIPSET	Integrated with Intel® SoC
MEMORY TYPE	DDR5 4800, Dual Channel SODIMM x 2, Max. 64GB, Non-ECC
BIOS	UEFI
WAKE ON LAN	Yes
WATCHDOG TIMER	255 Levels
SECURITY	TPM 2.0 (Optional)
RTC BATTERY	Lithium Battery 3V/240mAh
DIMENSION	5.75" x 4" (146mm x 101.7mm), 0.94 lbs (0.43 kg)
OS SUPPORT	Windows 10/11 (64bit) Ubuntu 22.04.2/5.19.0-32-generic
POWER	
POWER REQUIREMENT	+9V~36V (Optional: +12V)
POWER SUPPLY TYPE	AT/ATX
CONNECTOR	Phoenix 2-pin Connector
POWER CONSUMPTION	Intel® Core™ i7-1370PE, DDR5 32GB x 2, 5.33A@ +12V (TYPICAL) Intel® Core™ i7-1370PE, DDR5 32GB x 2, 8.55A@ +12V (MAX)
DISPLAY	
CONTROLLER	Intel® Iris® Xe Graphics Intel® UHD Graphics
LVDS/eDP	LVDS x 1, Dual Channel 18/24bit, up to 1920 x 1080 eDP 1.4 x 1, up to 3840 x 2160 (Optional)
DISPLAY INTERFACE	HDMI 2.1 x 1, up to 8K x 4K@60Hz or 4K x 2K@120Hz DP 1.4 x 1, up to 7680 x 4320@60Hz 30bpp (support DP++)
MULTIPLE DISPLAY	Up to 4 Simultaneous Displays
AUDIO	
CODEC	Realtek ALC897
AUDIO INTERFACE	Line-In/Line-Out/Mic
SPEAKER	—
EXTERNAL I/O	
ETHERNET	Intel® I219 1GbE, RJ-45 x 1 Intel® I226 2.5GbE, RJ-45 x 1
USB	USB 3.2 Gen 2 x 3 USB Type-C x 1 (USB 3.2 Gen 2, DP 1.4, PD 5V/3A)
SERIAL PORT	—
VIDEO	HDMI 2.1 x 1, DP 1.4 x 1

Packing List

Description	QTY
GENE-RAP6 MB	1

Optional Accessories

Part Number	Description	QTY
GENE-ADP6-FAN01	CPU Cooler.12V.4800RPM.Smart FAN	1
GENE-ADP6-HSP01	Heatspreader.146*80*11mm	1
1702150155	SATA HDD Power, Cable 15cm	1
170X000398	Power Cable, DC JACK, 30cm	1
170204010R	Power Cable, Double 4P, 10cm	1
170X000156	Audio Cable, 25cm	1
1709100108	Front Panel Cable, 10cm	1
170X000231	COM Port Cable, 30cm	2
170010010D	USB 2.0 Cable, 10cm	2

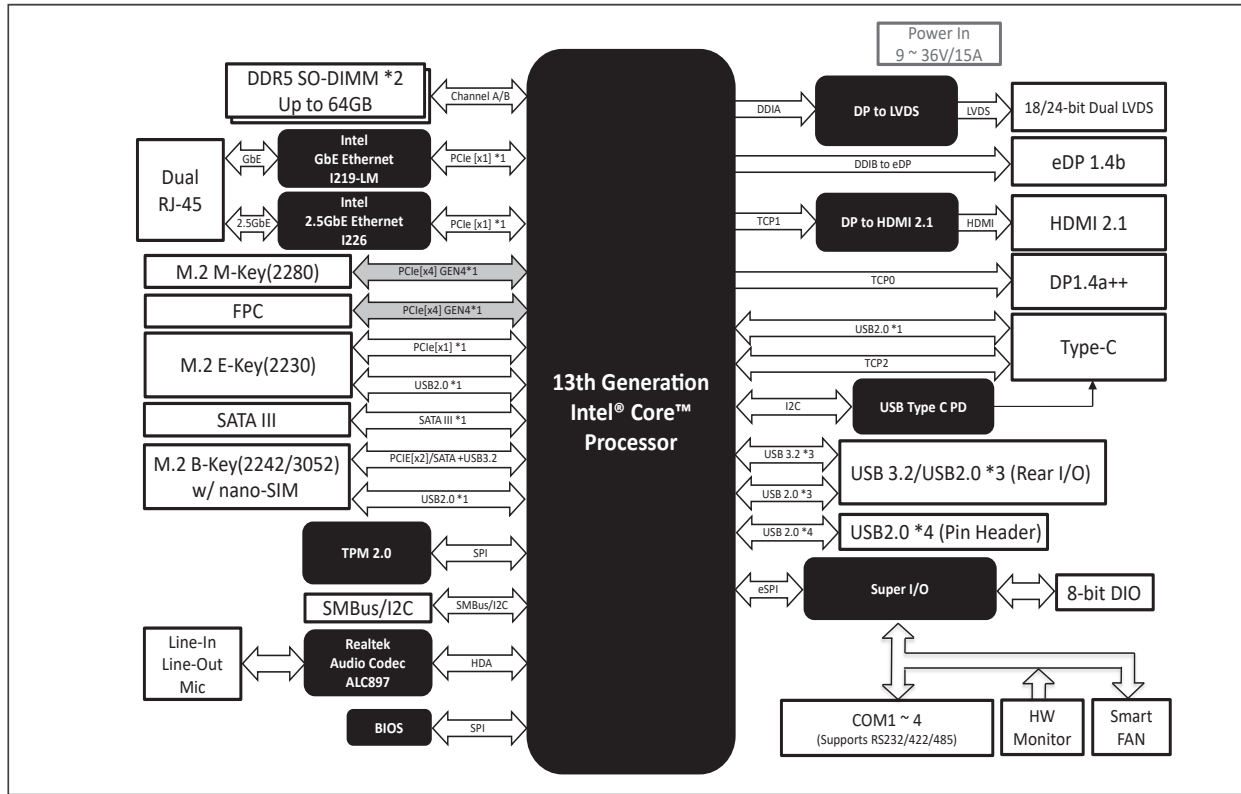
Note: All specifications are subject to change without notice.

GENE-RAP6

06

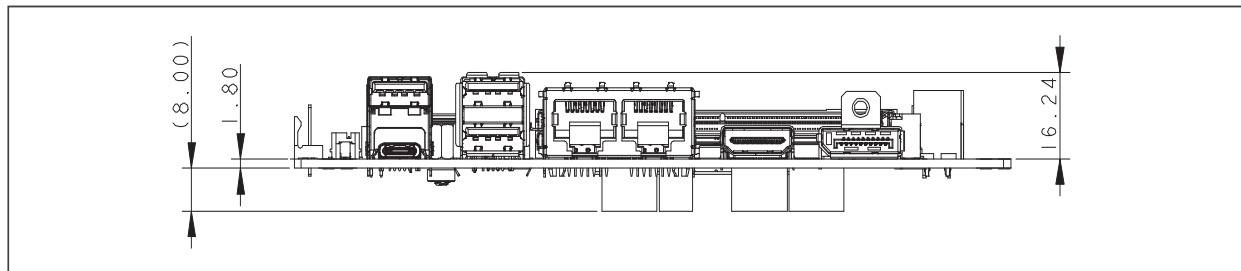
SubCompact Boards

Block Diagram



Dimension

Unit: mm



Ordering Information

Part Number	CPU	Display	LAN	USB	COM	Storage	Expansion Slot	TPM	Power	Temp	Others
GENE-RAP6-A10-0001	Intel® Core™ i7-1370PE	HDMI x1 DP++ x1 LVDS x1 eDP x1 Type-c DP x1	GbE x1 2.5GbE x1	USB 3.2 Gen 2 x 3 USB Type-C x1 USB 2.0 x 4	4	SATA x1	M.2 2280 M-Key x1 M.2 3052 B-Key x1 M.2 2230 E-Key x1	2.0	9~36V	0°C ~ 60°C	Audio, Nano SIM, DIO x 8, SMBUS
GENE-RAP6-A10-0002	Intel® Core™ i5-1340PE	HDMI x1 DP++ x1 LVDS x1 eDP x1 Type-c DP x1	GbE x1 2.5GbE x1	USB 3.2 Gen 2 x 3 USB Type-C x1 USB 2.0 x 4	4	SATA x1	M.2 2280 M-Key x1 M.2 3052 B-Key x1 M.2 2230 E-Key x1	2.0	9~36V	0°C ~ 60°C	Audio, Nano SIM, DIO x 8, SMBUS
GENE-RAP6-A10-0003	Intel® Core™ i6-1335UE	HDMI x1 DP++ x1 LVDS x1 Type-c DP x1	GbE x1 2.5GbE x1	USB 3.2 Gen 2 x 3 USB Type-C x1 USB 2.0 x 4	4	SATA x1	M.2 2280 M-Key x1 M.2 3052 B-Key x1 M.2 2230 E-Key x1	—	12V	0°C ~ 60°C	Audio, Nano SIM, DIO x 8, SMBUS
GENE-RAP6-A10-0004	Intel® Core™ i3-1320PE	HDMI x1 DP++ x1 LVDS x1 eDP x1 Type-c DP x1	GbE x1 2.5GbE x1	USB 3.2 Gen 2 x 3 USB Type-C x1 USB 2.0 x 4	4	SATA x1	M.2 2280 M-Key x1 M.2 3052 B-Key x1 M.2 2230 E-Key x1	2.0	9~36V	0°C ~ 60°C	Audio, Nano SIM, DIO x 8, SMBUS
GENE-RAP6-A10-0005	Intel® Processor U300E	HDMI x1 DP++ x1 LVDS x1 Type-c DP x1	GbE x1 2.5GbE x1	USB 3.2 Gen 2 x 3 USB Type-C x1 USB 2.0 x 4	4	SATA x1	M.2 2280 M-Key x1 M.2 3052 B-Key x1 M.2 2230 E-Key x1	—	12V	0°C ~ 60°C	Audio, Nano SIM, DIO x 8, SMBUS

Note: All specifications are subject to change without notice.

www.aaeon.com

06-4

Assured Systems

Assured Systems is a leading technology company with over 1,500 regular clients in 80 countries, deploying over 85,000 systems to a diverse customer base in 12 years of business. We offer high-quality and innovative rugged computing, display, networking and data collection solutions to the embedded, industrial, and digital-out-of-home market sectors.

US

sales@assured-systems.com

Sales: +1 347 719 4508
Support: +1 347 719 4508

1309 Coffeen Ave
Ste 1200
Sheridan
WY 82801
USA

EMEA

sales@assured-systems.com

Sales: +44 (0)1785 879 050
Support: +44 (0)1785 879 050

Unit A5 Douglas Park
Stone Business Park
Stone
ST15 0YJ
United Kingdom

VAT Number: 120 9546 28
Business Registration Number: 07699660