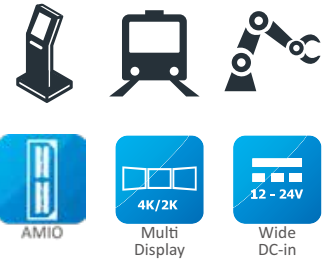
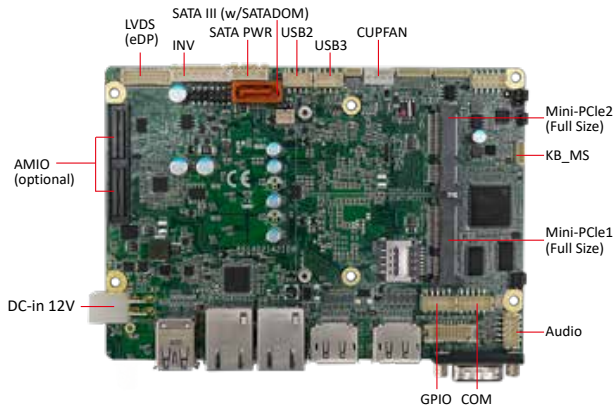


AECX-SKL6

Intel® Skylake -U Series based 3.5" Embedded board supports 6th Gen Core™ i7/i5/i3 / Celeron® processors with 2 HDMI(DP)/ LVDS(eDP), SATA III, 3 COM, 6 USB, AMIO, Dual Intel® GbE LAN.



Key Features

- Intel® 6th Gen Core™ i7/i5/i3 / Celeron® series processor onboard
- One 260-pin SO-DIMM up to 16GB DDR4 2133MHz SDRAM
- Multi-Display: 2 HDMI(DP)/LVDS(eDP)/AMIO (optional)
- Two Intel® Gigabit Ethernet ports
- 2 Mini-PCle (2 combo mSATA, 1 w/ micro-SIM) expansion slots
- 1 SATA III (w/ SATADOM), 3 COM, 2 USB 3.0 and 4 USB 2.0
- Supports 4K/2K Resolution Display
- DC-in 12V ; 19V ~ 24V (optional)
- EuP/ErP 2013 Ready
- Supports Intel® AMT v11.0 (w/ Core™ i7/i5 processors)

Product Specification

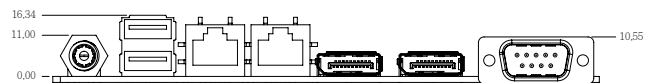
System Processor/Chipset	
Processor	Intel® 6th Skylake -U series processor onboard Core™ i7-6600U (2.6GHz/3.4GHz, 2C/4T, 25W) Core™ i5-6300U (2.4GHz/3.0GHz, 2C/4T, 25W) Core™ i3-6100U (2.3GHz, 2C/4T, 15W) Celeron® 3955U (2.0GHz, 2C/2T, 15W)
Chipset	Intel® Skylake-U Processor integrated
BIOS	AMI SPI Flash ROM
Memory	
Technology	DDR4 2133MHz SDRAM
Max. capacity	Up to 16GB
Socket	1 x 260-pin SO-DIMM
Display	
Graphics	Intel® HD Gen9 Graphics integrated
Display interface	2 x HDMI v1.4 (co-layout DP v1.2) 1 x LVDS(eDP) 2ch 18/24-bit (co-layout eDP) 1 x AMIO (DP v1.2), 1 x eDP v1.3 (optional)
Multi-display	Up to three independent displays (Celeron® processor only support Dual-display)
Resolution	DP: 3840 x 2160 @ 60Hz (max) HDMI: 4096 x 2160 @ 24Hz (max) LVDS: 1920 x 1200 @ 60Hz (max) eDP: 1920 x 1080 @ 60Hz (max)
Ethernet	
Interface	10/100/1000 Mbps
Controller	LAN1: Intel® I219 GbE PHY w/ AMT v11.0 (only Core™ i7/i5 processor supports) LAN2: Intel® I210 GbE
Connector	2 x RJ45 (rear I/O)
Audio	
Interface	Line-in, Line-out, Mic-in
CODEC	Realtek ALC662-VDO HD
Expansion Slot	
AMIO (optional)	1 x DP v1.2(optional), 1 x Line-out, 1 x LPC, 1 x PCIe(x4), 1x SMBus, 1 x UART, 1 x USB 3.0 interface
Mini-PCle	2 x Full size (2 combo mSATA, 1 w/ micro-SIM)
SATA	
Max. data transfer rate	6.0Gb/s
Port	1 x SATA III support SATADOM
I/O	
Audio	Line-in, Line-out, Mic-in (box-header)
USB	2 x USB 3.0 (rear I/O) 4 x USB 2.0 (box-header)
COM	2 x RS-232 (box-header) with 5V selection 1 x RS-232/422/485 (rear I/O)
HDMI/VGA/DVI/DP/LVDS	2 x HDMI (rear I/O, co-layout DP, optional) 1 x LVDS (box-header, co-layout eDP, optional)
GPIO	1 x 16-bit Programmable GPIO (box-header)
SMBus	1 x SMBus (box-header)

Power Requirement	
Power connector	1 x ATX (2x2-pin) or DC-Jack screw type (optional)
Power type	DC-in 12V or DC in 19V ~ 24V (optional)
Power mode	AT / ATX (by jumper selection)
Watchdog Timer	
Interval	Programmable 1~255 sec/min
Output	System reset
Environment	
Operating temperature	0°C ~ 60°C (32°F ~ 140°F) standard -20°C ~ 70°C (-4°F ~ 158°F) optional -40°C ~ 70°C (-40°F ~ 158°F) optional
Storage temperature	-40°C ~ 80°C (-40°F ~ 176°F)
Relative humidity	0% ~ 95% (non-condensing)
Form Factor	
Dimensions (L x W)	3.5" Embedded Board 146mm x 102mm (5.75" x 4.01")

Rear I/O



Dimensions



Ordering Information

Part Number	Description
AECX-SKL6-6600 (MOQ)	3.5", Intel Core i7-6600U 25W, 2HDMI/LVDS, SATA/3COM/6USB/2LAN, DC(12V)/ATX4P
AECX-SKL6-6300	3.5", Intel Core i5-6300U 25W, 2HDMI/LVDS, SATA/3COM/6USB/2LAN, DC(12V)/ATX4P
AECX-SKL6-6100 (MOQ)	3.5", Intel Core i3-6100U 15W, 2HDMI/LVDS, SATA/3COM/6USB/2LAN, DC(12V)/ATX4P
AECX-SKL6-3955 (MOQ)	3.5", Intel Celeron 3955U 15W, 2HDMI/LVDS, SATA/3COM/6USB/2LAN, DC(12V)/ATX4P

Optional Accessories

Part Number	Description
VK00000700A9	SATA cable
VK00002600A9	SATA power cable
TBD	Heatsink w/o FAN
TBD	Heat spreader

Assured Systems

Assured Systems is a leading technology company with over 1,500 regular clients in 80 countries, deploying over 85,000 systems to a diverse customer base in 12 years of business. We offer high-quality and innovative rugged computing, display, networking and data collection solutions to the embedded, industrial, and digital-out-of-home market sectors.

US

sales@assured-systems.com

Sales: +1 347 719 4508
Support: +1 347 719 4508

1309 Coffeen Ave
Ste 1200
Sheridan
WY 82801
USA

EMEA

sales@assured-systems.com

Sales: +44 (0)1785 879 050
Support: +44 (0)1785 879 050

Unit A5 Douglas Park
Stone Business Park
Stone
ST15 0YJ
United Kingdom

VAT Number: 120 9546 28
Business Registration Number: 07699660