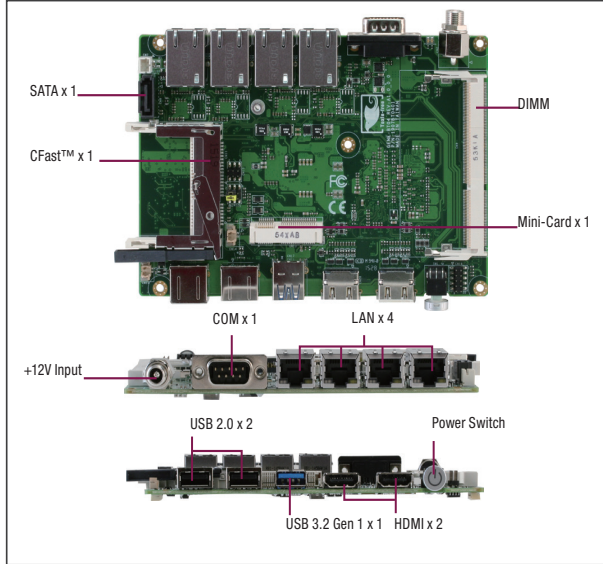


GENE-BT04

3.5" SubCompact Board with Intel® Celeron® J1900/N2807 Processor SoC

SubCompact Boards



Features

- Intel® Celeron® J1900/ N2807 Processor SoC
- DDR3L 1333 SODIMM slot x1, Max. up to 8GB
- HDMI x 2: HDMI 1 (w/ Audio), HDMI 2 (w/o Audio)
- USB 2.0 x 2, USB 3.2 Gen 1 x 1, COM x 1
- Mini-Card x 1 (Full-size)
- SATA 2.0 x 1
- DC 12V ATX Mode
- 12 ~ 24V DC Input, ATX Mode



DIO/GPIO	4-bit
SMBus/I2C	—
TOUCH	—
FAN	—
SIM	SIM X1
FRONT PANEL	HDD LED, PWR LED, Power Button, Buzzer, Reset
OTHERS	CFast™ x 1
EXPANSION	
Mini PCI-E/mSATA	Mini-Card x 1 (for USB only)
M.2	—
OTHERS	—
ENVIRONMENT & CERTIFICATION	
OPERATING TEMP.	32°F ~ 140°F (0°C ~ 60°C)
STORAGE TEMP.	-40°F ~ 176°F (-40°C ~ 80°C)
OPERATING HUMIDITY	0% ~ 90% relative humidity, non-condensing
MTBF (HOURS)	155,000
EMC	CE/FCC Class A

Specifications

SYSTEM	
FORM FACTOR	3.5" SubCompact Board
CPU	Intel® Atom™/ Celeron® Processor: Celeron® J1900 (4C/4T, 2.00GHz, up to 2.42GHz, 10W) Celeron® N2807 (2C/2T, 1.58GHz, up to 2.16GHz, 4.3W)
CHIPSET	Integrated with Intel® SoC
MEMORY TYPE	DDR3L up to 1333MHz, SODIMM x 1, up to 8GB, Non-ECC
BIOS	UEFI
WAKE ON LAN	Yes
WATCHDOG TIMER	255 Levels
SECURITY	—
RTC BATTERY	Lithium Battery 3V/240mAh
DIMENSION	5.75" x 4" (146mm x 101.7mm)
OS SUPPORT	Windows 7/10 (64bit) Linux Ubuntu 20.04.3/Kernel 5.11
POWER	
POWER REQUIREMENT	+12~24V
POWER SUPPLY TYPE	AT/ATX
CONNECTOR	DC Jack Connector
POWER CONSUMPTION	Intel® N2807, DDR3L 1600MHz 4G, 0.65A@ +12V(TYPICAL)
DISPLAY	
CONTROLLER	Intel® HD Graphics for Intel Atom® Processor Z3700 Series
LVDS/eDP	—
DISPLAY INTERFACE	HDMI x 2: HDMI 1(w/Audio), HDMI 2(w/o Audio)
MULTIPLE DISPLAY	Up to 2 Simultaneous Displays
AUDIO	
CODEC	—
AUDIO INTERFACE	—
SPEAKER	—
EXTERNAL I/O	
ETHERNET	Intel® i210, 10/100/1000Base, RJ-45 x 4
USB	USB 2.0 x 2, USB 3.2 Gen 1 x 1
SERIAL PORT	COM1 (RS232)
VIDEO	HDMI x 2
INTERNAL I/O	
USB	—
SERIAL PORT	—
VIDEO	—
SATA	SATA III x 1 +5V SATA Power Connector x 1
AUDIO	—

Packing List

Description	QTY
GENE-BT04 MB	1
M10BT04010 (Heat spreader)	1
Power cable	1

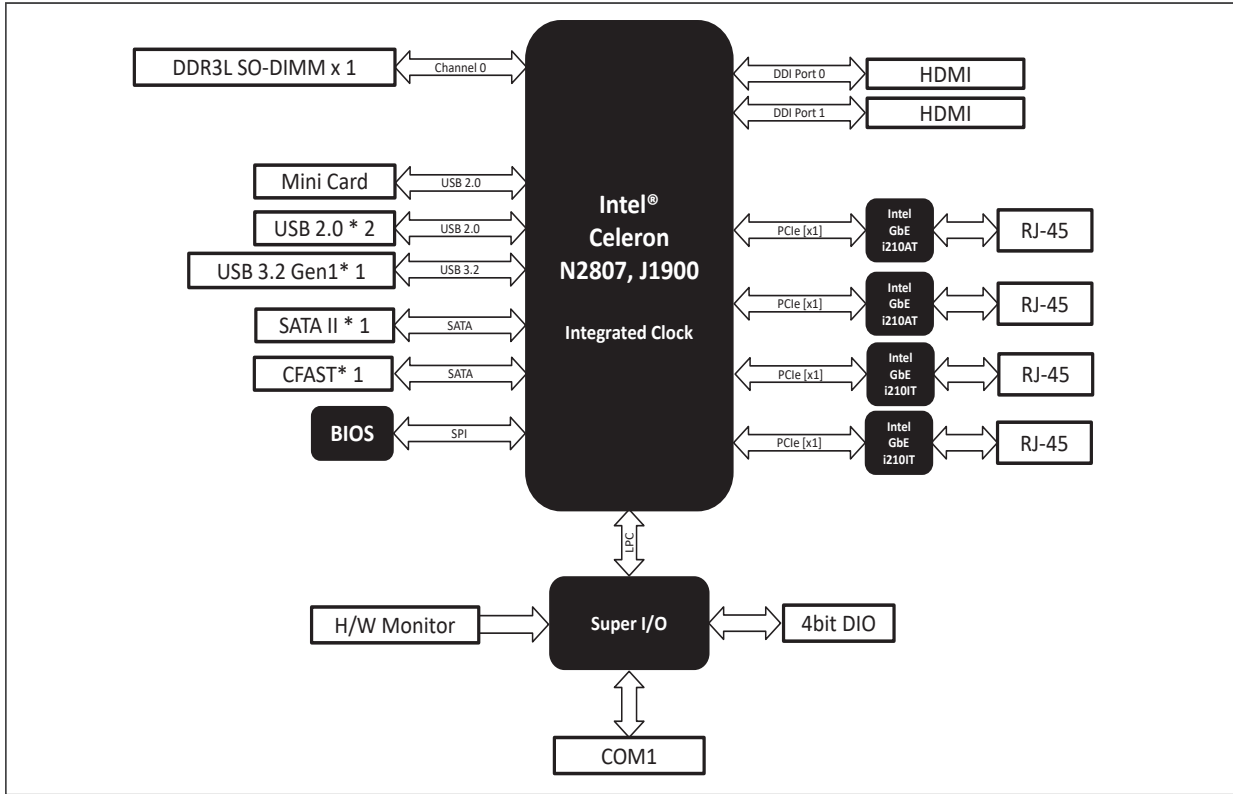
Optional Accessories

Part Number	Description	QTY
1709070500	SATA Cable, 50cm	1
1702150155	SATA HDD Power Cable, 15cm	1

OS Support

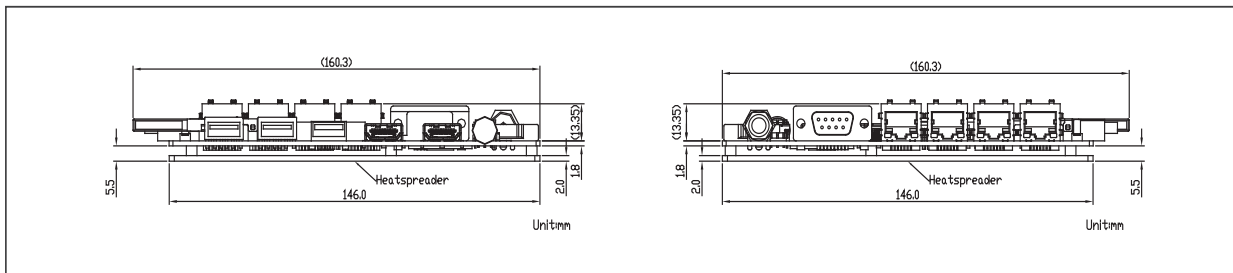
Part Number	Description
OS-W10R-600-00000-EN	Windows 10 IoT Enterprise for Retail or ThinClients. 64bit MultiLang. (EngFreChiTChiSJanKor)

Block Diagram



Dimension

Unit: mm



Ordering Information

Part Number	CPU	Fan/Fanless	Display	LVDS	Storage	LAN	USB	RS-232	RS-232/422/485	Expansion Slot	Power	Power Temp	Others
GENE-BT04-A12-0001	Intel® Celeron® N2807	Fanless	HDMI x 2	—	SATA x 1	GbE x 4	USB 3.2 Gen 1 x 1 USB 2.0 x 2	1	—	Mini-Card x 1 (Full)	12V ~ 24V	0°C ~ 60°C	DIO x 4
GENE-BT04-A12-0002	Intel® Celeron® J1900	Fanless	HDMI x 2	—	SATA x 1	GbE x 4	USB 3.2 Gen 1 x 1 USB 2.0 x 2	1	—	Mini-Card x 1 (Full)	12V ~ 24V	0°C ~ 60°C	DIO x 4

Assured Systems

Assured Systems is a leading technology company with over 1,500 regular clients in 80 countries, deploying over 85,000 systems to a diverse customer base in 12 years of business. We offer high-quality and innovative rugged computing, display, networking and data collection solutions to the embedded, industrial, and digital-out-of-home market sectors.

US

sales@assured-systems.com

Sales: +1 347 719 4508
Support: +1 347 719 4508

1309 Coffeen Ave
Ste 1200
Sheridan
WY 82801
USA

EMEA

sales@assured-systems.com

Sales: +44 (0)1785 879 050
Support: +44 (0)1785 879 050

Unit A5 Douglas Park
Stone Business Park
Stone
ST15 0YJ
United Kingdom

VAT Number: 120 9546 28
Business Registration Number: 07699660