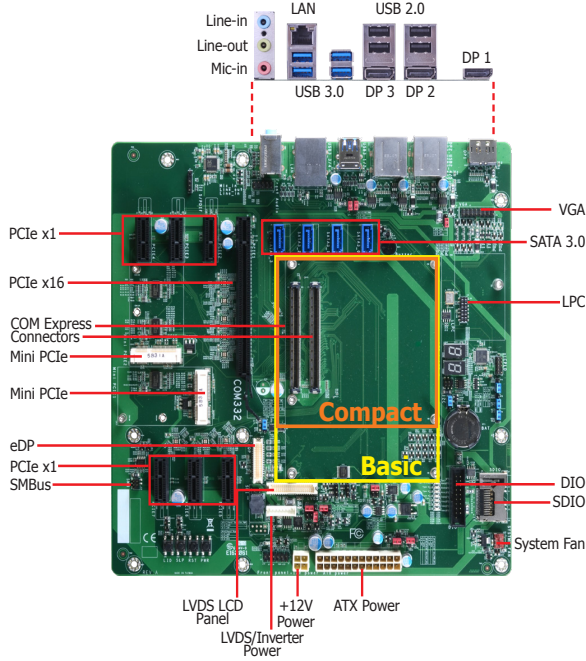




COM Express® Carrier Board

COM332-B (R.A)

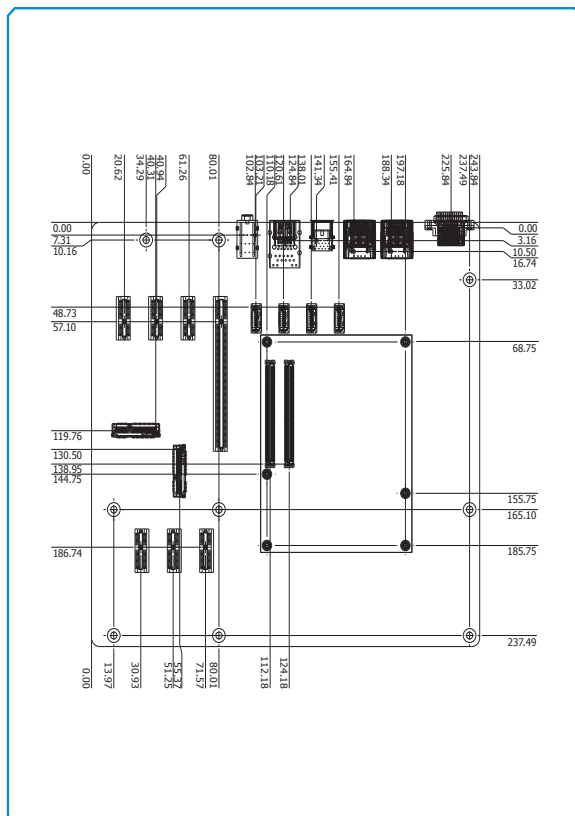


► **Features**

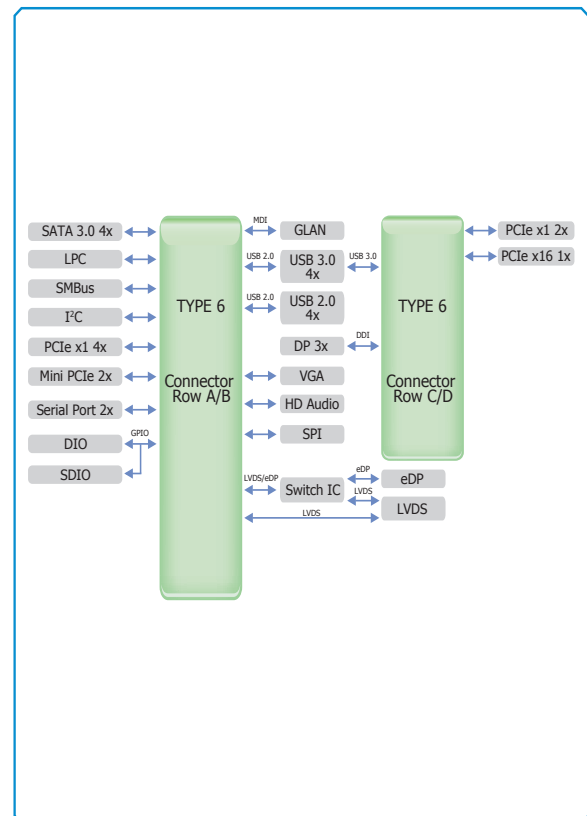
- COM Express® R2.1, Pin-out Type 6
- Supports Compact and Basic modules
- Multiple displays: VGA, LVDS, DP, eDP
- Rich I/O: 1 GbE, 4 USB 3.0, 4 USB 2.0
- microATX form factor



► **Mechanical Drawing**



► **Block Diagram**





Specifications

GRAPHICS	Display	1 x VGA 1 x LVDS/eDP (eDP available upon request) 3 x DP 1 x eDP/LVDS (LVDS available upon request)	
EXPANSION	Interface	1 x PCIe x16 6 x PCIe x1 2 x Full-size Mini PCIe 1 x SDIO	
AUDIO	Audio Codec	Realtek ALC888S-VD2-GR	
REAR I/O	Ethernet	1 x GbE (RJ-45)	
	USB	4 x USB 3.0 4 x USB 2.0	
	Display	3 x DP	
	Audio	1 x Line-in 1 x Line-out 1 x Mic-in	
INTERNAL I/O	Serial	2 x Serial Interface Connector (TX/RX)	
	Display	1 x VGA (2.54mm) 1 x LVDS LCD Panel Connector 1 x LCD/Inverter Power 1 x eDP LCD Panel Connector	
	Audio	1 x Audio (Line-out/Mic-in) 1 x S/PDIF	
	SATA	4 x SATA 3.0 (up to 6Gb/s)	
	DIO	1 x 8-bit DIO	
	LPC	1 x LPC	
	SMBus	1 x SMBus	
	POWER	Type	12V, 5VSB, VCC_RTC (ATX mode)
Connector		4-pin ATX 12V power	24-pin ATX power
RTC Battery		CR2032 Coin Cell	
ENVIRONMENT	Temperature	Operating: 0 to 60°C	Storage: -40 to 85°C
	Humidity	Operating: 5 to 90% RH	Storage: 5 to 90% RH
	MTBF	488,117 hrs @ 25°C; 253,684 hrs @ 45°C; 136,621 hrs @ 60°C Calculation Model: Telcordia Issue 2, Method Case 3 Environment: GB, GC – Ground Benign, Controlled	
MECHANICAL	Dimensions	microATX Form Factor	244mm (9.6") x 244mm (9.6")
	Compliance	PICMG COM Express® R2.1, Type 6 Basic, Compact Modules	

Ordering Information

Model Name	P/N	GbE	USB 3.0	USB 2.0	Power	Thermal	Temp.
COM332-B (R.A)	770-CM3321-000G	1	4	4	ATX/AT	Active	0 to 60°C

Packing List

• 1 COM332-B (R.A) board	
• 1 Serial ATA data cable (Length: 500mm)	332-553001-005G
• 1 VGA cable	A81-012000-000G
• 1 QR (Quick Reference)	

Optional Items

• Serial ATA data cable (Length: 500mm)	332-553001-005G
• LPC EXT-RS232 module (4 x RS232 ports)	770-EXTRS1-000G
• LPC EXT-RS485 module (4 x RS485 ports)	770-EXTRS1-100G
• I/O shield	A49-COM332-010G

Assured Systems

Assured Systems is a leading technology company with over 1,500 regular clients in 80 countries, deploying over 85,000 systems to a diverse customer base in 12 years of business. We offer high-quality and innovative rugged computing, display, networking and data collection solutions to the embedded, industrial, and digital-out-of-home market sectors.

US

sales@assured-systems.com

Sales: +1 347 719 4508
Support: +1 347 719 4508

1309 Coffeen Ave
Ste 1200
Sheridan
WY 82801
USA

EMEA

sales@assured-systems.com

Sales: +44 (0)1785 879 050
Support: +44 (0)1785 879 050

Unit A5 Douglas Park
Stone Business Park
Stone
ST15 0YJ
United Kingdom

VAT Number: 120 9546 28
Business Registration Number: 07699660