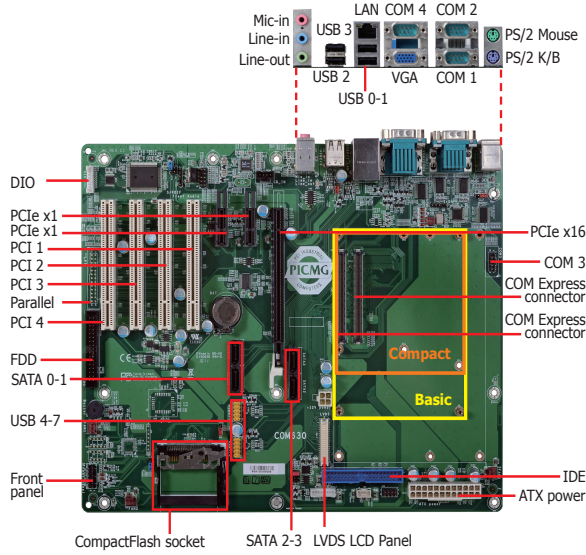




COM Express Carrier Board

**COM630-B**



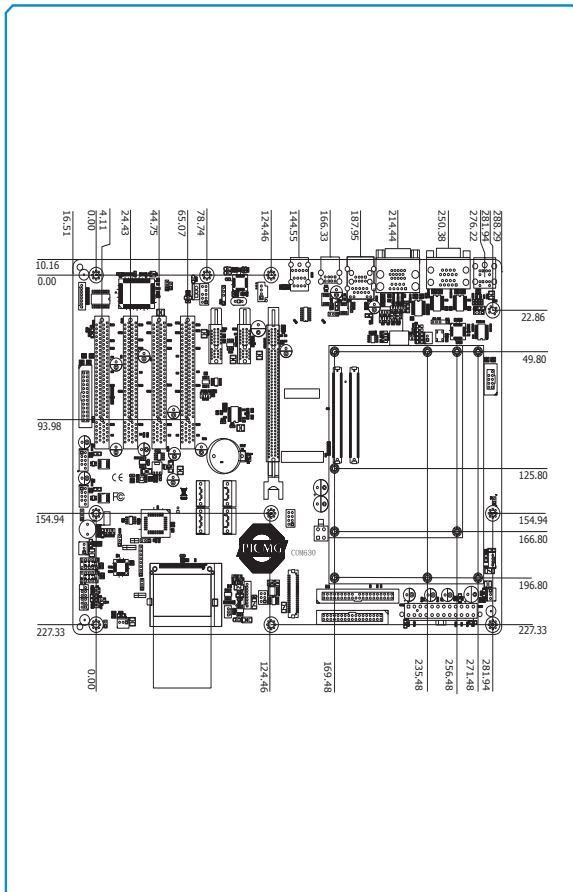
► **Features**

EXPANSION	1 PCIe x16, 2 PCIe x1, 4 PCI
DISPLAY OUTPUTS	1 VGA, 1 LVDS
LAN	1 LAN
COM	4 COM
USB	8 USB 2.0
PARALLEL	1 Parallel
STORAGE	4 SATA 2.0 1 CF 1 IDE 1 FDD
DIO	8-bit DIO
DIMENSIONS	305mm x 244mm (12" x 9.6")

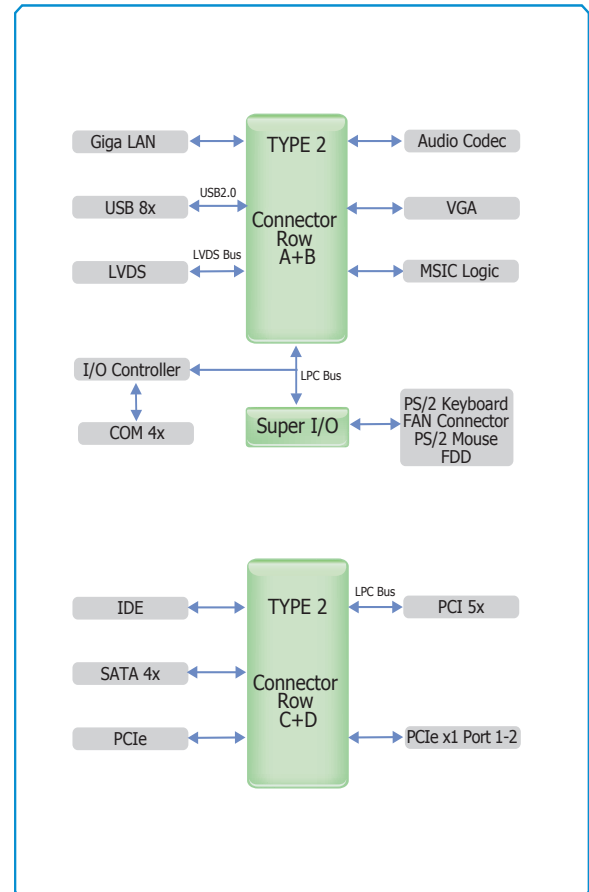
► Supports Compact and Basic modules



► **Mechanical Drawing**



► **Block Diagram**





# COM630-B

**Specifications** \* Optional and is not supported in standard model. Please contact your sales representative for more information.

**AUDIO FEATURES**

- Realtek ALC262 audio codec (ALC655\*)
- 6-channel audio output

**SERIAL ATA FEATURES**

- SATA speed up to 3Gb/s
- Four SATA ports

**IDE FEATURES**

- Supports up to Ultra ATA 100
- One IDE channel supports up to 2 IDE devices

**BIOS FEATURES\***

- FWH/LPC interface
- Supports up to 4Mbit flash ROM
- PLCC32 socket
- Supports WP# jumper
- Carrier board ROM enable/disable function supported

**I/O CHIP 1 FEATURES**

- Winbond 83627HG-AW controller
- LPC interface
- Supports Smart fan
- Default I/O port address "2eh"

**I/O CHIP 2 FEATURES**

- Fintek F81216D controller
- LPC interface
- Supports 4 COM ports
- Supports IrDA
- Watchdog timer function
- Default I/O port address "4eh"

**EXPANSION SLOTS**

- 1 CompactFlash socket
- 1 PCI Express x16 (Graphics or Dual SDVO)
- 2 PCI Express x1
- 4 PCI slots (PCI 2.3, 32-bit, 33MHz)

**REAR PANEL I/O PORTS**

- 1 mini-DIN-6 PS/2 mouse port
- 1 mini-DIN-6 PS/2 keyboard port
- 3 DB-9 serial ports
- 1 DB-15 VGA port
- 1 RJ45 LAN port
- 4 USB 2.0/1.1 ports
- Mic-in, line-in and line-out

**I/O CONNECTORS**

- 2 connectors for 4 additional external USB 2.0/1.1 ports
- 1 connector for an external serial port
- 1 LVDS LCD panel connector
- 1 LCD/inverter power connector
- 1 Digital I/O connector
- 1 Digital I/O power connector
- 1 front audio connector for line-out and mic-in jacks
- 1 CD-in internal audio connector
- 1 S/PDIF-in/out connector
- 1 GPIO connector
- 1 connector for IrDA interface
- 4 Serial ATA connectors
- 1 40-pin IDE connector
- 1 FDD connector
- 1 parallel connector\*
- 1 24-pin ATX power connector
- 1 4-pin 12V power connector
- 1 Wake-On-Ring connector
- 1 chassis open connector
- 1 front panel connector
- 3 fan connectors
- 1 diagnostic LED\*

**DAMAGE FREE INTELLIGENCE**

- Monitors system temperature and overheat alarm
- Monitors system fan speed and failure alarm

**TEMPERATURE**

- Operating: 0°C to 60°C
- Storage: -20°C to 85°C

**HUMIDITY**

- Operating: 10% to 90%

**COM EXPRESS CONNECTORS**

- Two 220-pin COM Express standard connectors
- Module connector pin: Tyco 3-631849-6

**Dimensions**

- Dimensions
  - ATX form factor
  - 305mm (12") x 244mm (9.6")
- Compliance
  - PICMG COM Express® R1.0, Type 2

**CERTIFICATION**

- CE
- FCC Class B
- UL
- RoHS

**Packing List**

• 1 COM630-B board
• 1 USB port cable
• 1 Serial ATA data cable
• 1 Serial ATA power cable
• 1 IDE cable
• 1 FDD cable
• 1 I/O shield

**Optional Items**

• Serial ATA data cable
• IDE cable
• USB port cable
• I/O shield
• Serial ATA power cable

## Assured Systems

Assured Systems is a leading technology company with over 1,500 regular clients in 80 countries, deploying over 85,000 systems to a diverse customer base in 12 years of business. We offer high-quality and innovative rugged computing, display, networking and data collection solutions to the embedded, industrial, and digital-out-of-home market sectors.

### US

[sales@assured-systems.com](mailto:sales@assured-systems.com)

Sales: +1 347 719 4508  
Support: +1 347 719 4508

1309 Coffeen Ave  
Ste 1200  
Sheridan  
WY 82801  
USA

### EMEA

[sales@assured-systems.com](mailto:sales@assured-systems.com)

Sales: +44 (0)1785 879 050  
Support: +44 (0)1785 879 050

Unit A5 Douglas Park  
Stone Business Park  
Stone  
ST15 0YJ  
United Kingdom

VAT Number: 120 9546 28  
Business Registration Number: 07699660