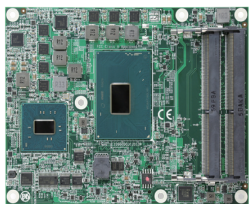




EmETXe-i90M0



7th Generation Intel® Core™ i7-7820EQ/i5-7442EQ Processor
COM Express® Basic Type 6 CPU Module



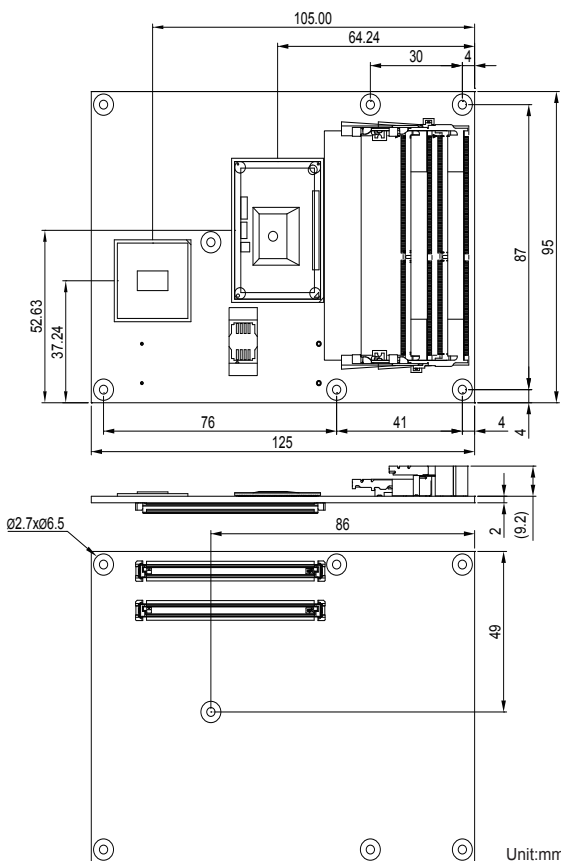
Features

- Soldered onboard 7th Generation Intel® Core™ i7-7820EQ/i5-7442EQ
- Intel WGI219LM PCIe GbE PHY w/ iAMT
- Dual Channels 24-bit LVDS
- Support 3 independent displays
- 8.5V~20V Wide Range Voltage Input
- **Wide Range Operating Temp.: -40 ~ 85°C**

Computer on Module

System	
CPU	Soldered onboard 7 th Generation Intel® Core™ i7-7820EQ 3.7GHz/i5-7442EQ 2.9GHz processor
Chipset	Soldered onboard Intel QM175 PCH
Memory	2 x DDR4 SO-DIMM sockets
BIOS	AMI UEFI BIOS
Watchdog Timer	1~255 levels reset
I/O	
USB Port	12 x USB ports: - 8 x USB 2.0 ports - 4 x USB SuperSpeed ports
Serial Port	2 x UART ports (RX/TX only)
Expansion Bus	8 x PCIe1 lanes, 1 x PCIe16 lane, I2C Interface, GPIO
DIO	8-bit Digital Input/Output
Storage	4 x Serial ATA ports with 600MB/s HDD transfer rate
Ethernet Chipset	1 x Intel® i219LM PCIe GbE PHY
Audio	HD audio link
TPM	Supports TPM (OEM Request)
Display	
Graphic Chipset	Integrated Intel® HD Graphics 630
Graphic Interface	LCD: Dual Channels 24-bit LVDS 3 x DDI ports
OS support	
Windows 10 64-bit	
Linux: Ubuntu	

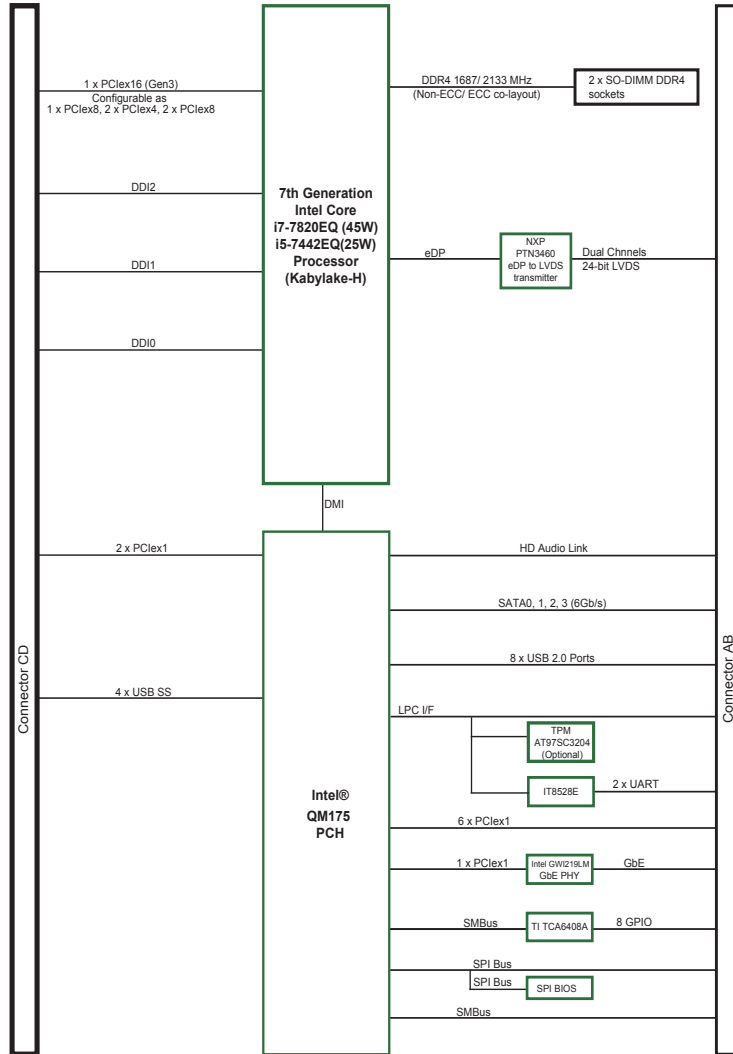
Mechanical & Environmental	
Power Requirement	8.5V~20V +/- 5% wide range voltage input, +5VSB
Power Consumption	4.12A@12V(i7-7820EQ Typical)
Operating Temp.	-40 ~ 85°C (-40 ~ 185°F)
Operating Humidity	10 ~ 95% @ 85°C (non-condensing)
Dimensions (L x W)	125 x 95 mm (4.9" x 3.7")
Dimensions	



All specifications are subject to change without notice.



Block Diagram



Ordering Information

EmETXe-i90M0-WT-7820EQ	7 th Generation Intel® Core™ i7-7820EQ WT COM Express® Basic Type 6 CPU Module
EmETXe-i90M0-WT-7442EQ	7 th Generation Intel® Core™ i5-7442EQ WT COM Express® Basic Type 6 CPU Module

Optional Accessories

HS-90M0-C1	Heat sink with Fan, with PAD (125x95x35mm)
HS-90M0-F2-T	Heat Spreader, with Threader, with PAD(95*95*11mm), only for i5-7442EQ Series
HS-90M0-F2-NT	Heat Spreader, through hole, with PAD(95*95*11mm), only for i5-7442EQ Series
PBE-1705-F1	COM Express® Type 6 evaluation carrier board with SIO F71869ED module in ATX form factor
CBK-03-1705-00	Cable kit 1 x SATA cable 2 x COM Flat cables

Assured Systems

Assured Systems is a leading technology company with over 1,500 regular clients in 80 countries, deploying over 85,000 systems to a diverse customer base in 12 years of business. We offer high-quality and innovative rugged computing, display, networking and data collection solutions to the embedded, industrial, and digital-out-of-home market sectors.

US

sales@assured-systems.com

Sales: +1 347 719 4508
Support: +1 347 719 4508

1309 Coffeen Ave
Ste 1200
Sheridan
WY 82801
USA

EMEA

sales@assured-systems.com

Sales: +44 (0)1785 879 050
Support: +44 (0)1785 879 050

Unit A5 Douglas Park
Stone Business Park
Stone
ST15 0YJ
United Kingdom

VAT Number: 120 9546 28
Business Registration Number: 07699660