

CEM846 NEW

COM Express Type 10 Mini Module with Intel® Atom® E3800 Family

Features

- Intel® Atom® processor (Bay Trail)
- Onboard DDR3L up to 4GB
- Max. up to 4 lanes of PCIe
- 2 SATA-300
- 8 USB 2.0 and 1 USB 3.0

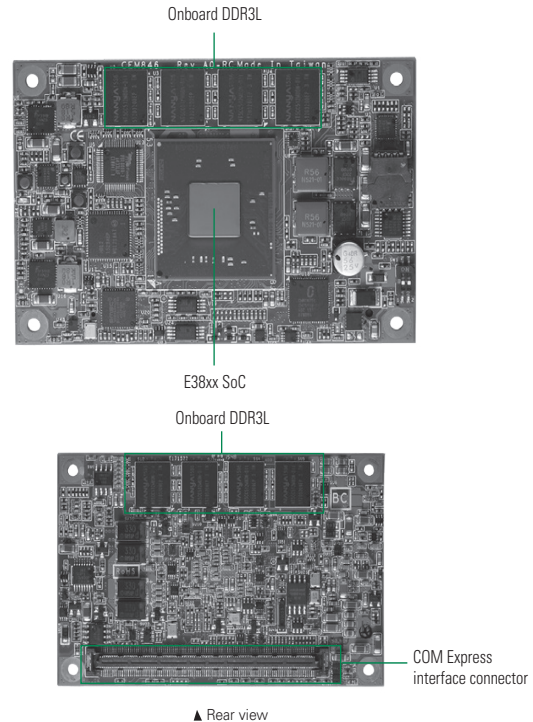


Core System

CPU	Intel® Atom® processor E3845 1.91 GHz quad core, Atom® E3827 1.75 GHz dual core, or Atom® E3815 1.46 GHz single core onboard
System Memory	Onboard extended temperature DDR3L, up to 4GB
Chipset	SoC integrated
BIOS	AMI uEFI (Legacy free)
SSD	N/A
Watchdog Timer	255 levels, 1 – 255 sec. or min.
Expansion Interface	4 x PCIe x1 devices (3 x 1 while internal LAN is connected)
Battery Lithium	N/A
Power Input	DC input: 4.75V – 20V or ATX 4.75V – 20V/+5VSB
Size	84 x 55 mm
Board Thickness	2.0 mm
Temperature	-40°C ~ +85°C (-40°F ~ +185°F), operation
Operation Humidity	10% – 95% relative humidity, non-condensing

I/O

MIO	1 x LPC interface 2 x Serial TX/RX
SATA	2 x SATA-300 support
Hardware Monitoring	Yes
Ethernet	1 port as 10/100/1000 Mbps supports Wake-on-LAN, PXE Boot ROM with Intel® i210IT
Audio	HD link interface to baseboard for Codec
USB	8 x USB 2.0 1 x USB 3.0
TPM	N/A
SMBus	Yes
Digital I/O	4 channels IN & 4 channels OUT



Display

Chipset	Intel® HD graphics (Gen 7 Gfx) display engine Gfx APIs-DX11, OCL 1.2, OGL 3.2 2 independent displays
Display Interface	1 x LVDS; 18/24-bit single channel 1 x DDI (DP, HDMI, DVI)

Packing List

Quick installation guide, user's manual/utility CD

Ordering Information

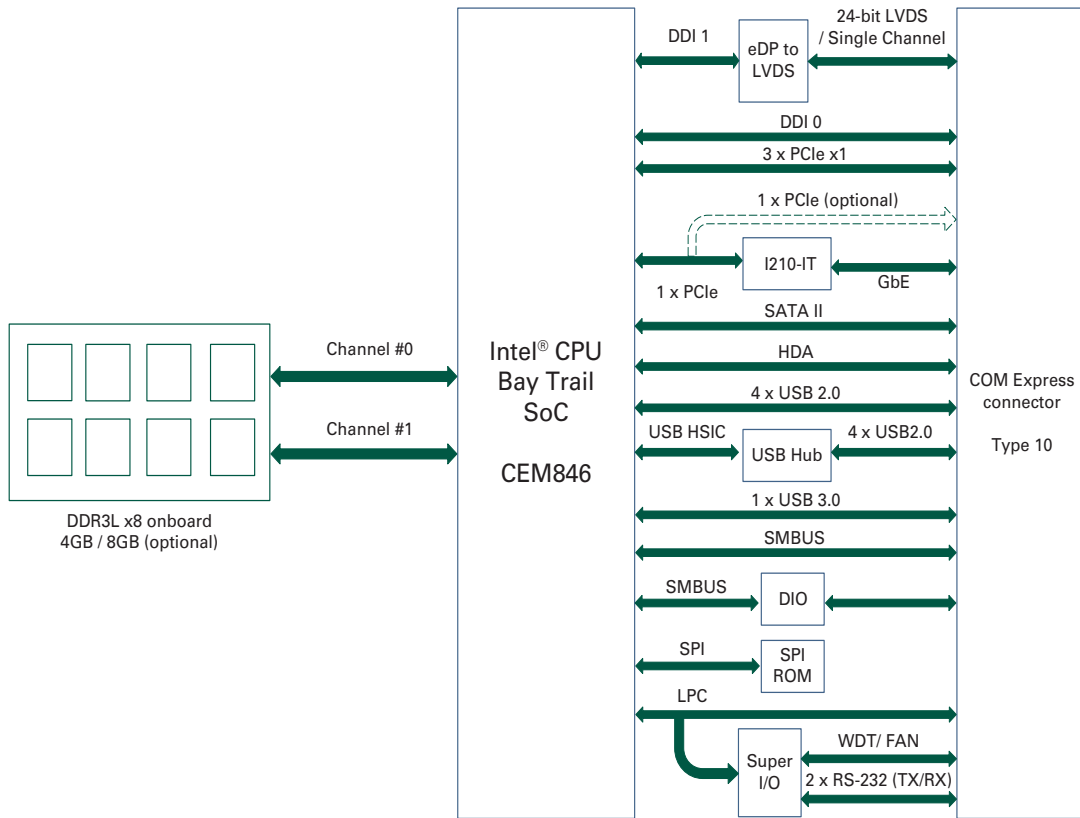
Standard	
CEM846PG-E3845-4G (P/N: E380846105)	COM Express Type 10 mini module with Intel® Atom® E3845, 4GB, DDI/LVDS, GbE LAN and USB 3.0
CEM846PG-E3827-4G (P/N: E380846104)	COM Express Type 10 mini module with Intel® Atom® E3827, 4GB, DDI/LVDS, GbE LAN and USB 3.0
CEM846PG-E3815-2G (P/N: E380846103)	COM Express Type 10 mini module with Intel® Atom® E3815, 2GB, DDI/LVDS, GbE LAN and USB 3.0

Optional Accessories

CEM94008 (P/N: E394008100)	ATX form factor Type 10 evaluation board
5078D840100E	CEM840 heat spreader
5078D840200E	CEM840 heat sink with fan
5078D840300E	CEM840 heat sink without fan

Note: 5078D840200E/5078D840300E has to be with 5078D300100E

Block Diagram



Assured Systems

Assured Systems is a leading technology company with over 1,500 regular clients in 80 countries, deploying over 85,000 systems to a diverse customer base in 12 years of business. We offer high-quality and innovative rugged computing, display, networking and data collection solutions to the embedded, industrial, and digital-out-of-home market sectors.

US

sales@assured-systems.com

Sales: +1 347 719 4508
Support: +1 347 719 4508

1309 Coffeen Ave
Ste 1200
Sheridan
WY 82801
USA

EMEA

sales@assured-systems.com

Sales: +44 (0)1785 879 050
Support: +44 (0)1785 879 050

Unit A5 Douglas Park
Stone Business Park
Stone
ST15 0YJ
United Kingdom

VAT Number: 120 9546 28
Business Registration Number: 07699660