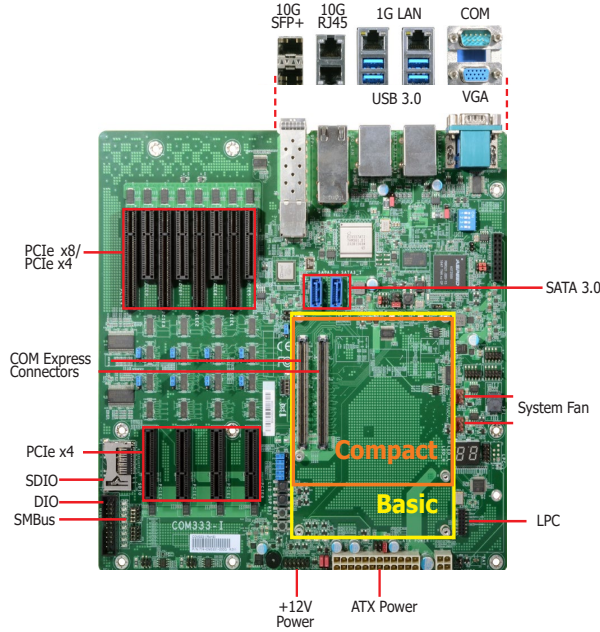




COM Express® Carrier Board

COM333-I

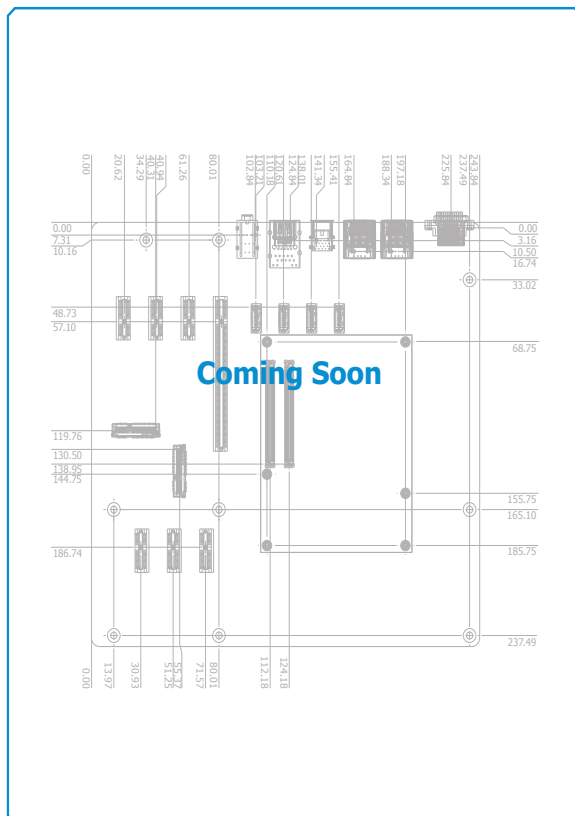


Features

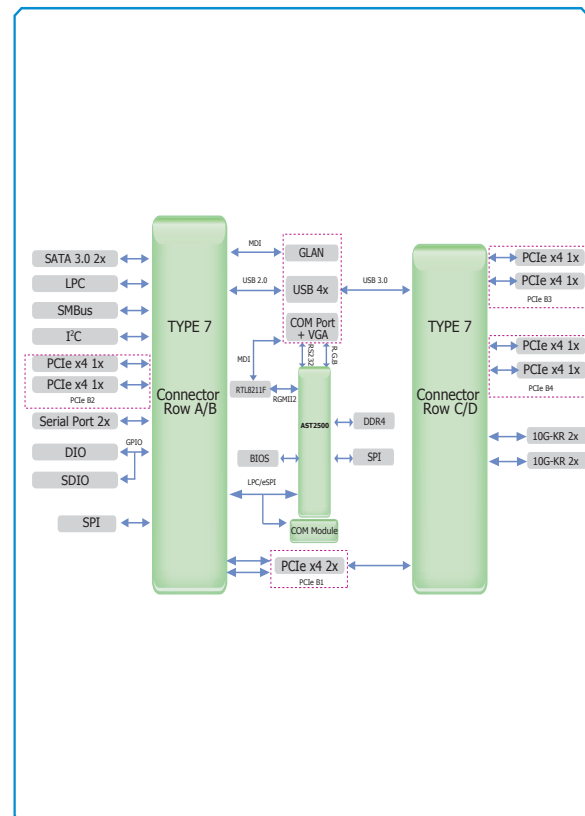
- COM Express® R3.0, Pin-out Type 7
- Supports Compact and Basic modules
- Multiple expansion: 8 PCIe x4 or 4 PCIe x8, 2 SATA 3.0
- Rich I/O: 2 GbE, 4 10Gbase-KR, 4 USB 3.0/2.0, 1 COM
- microATX form factor



Mechanical Drawing



Block Diagram





Specifications

EXPANSION	Interface	B1: 2 x PCIe x4 or 1 x PCIe x8 (Gen 3) B2: 2 x PCIe x4 or 1 x PCIe x8 (Gen 3) B3: 2 x PCIe x4 or 1 x PCIe x8 (Gen 3) B4: 2 x PCIe x4 or 1 x PCIe x8 (Gen 3)	
REAR I/O	Ethernet	4 x 10GbE LAN (2 x SFP+, 2 x RJ-45) by 10GBASE-KR interface 2 x 1GbE LAN (RJ-45) (one from module; another from BMC for remote management)	
	USB	4 x USB 3.0/2.0	
	Serial	1 x RS-232 (DB-9) (supports by BMC which default is debug port and may switch to normal RS-232)	
INTERNAL I/O	Serial	2 x Serial Interface Connectors (TX/RX) (2.0mm pitch)	
	SATA	2 x SATA 3.0 (up to 6Gb/s)	
	DIO	1 x 8-bit DIO (4 input, 4 output) 1 x SDIO (conditionally available)	
	LPC	1 x LPC	
	SMBus	1 x SMBus	
	I²C	1 x I ² C	
BMC	Features	1. IPMI 2.0 2. Web Browser Support 3. Web Interface 4. iKVM (keyboard, video, and mouse) 5. Virtual Media 6. 3rd Party Authentication 7. Firmware Update 8. SMASH/CLP 9. WS-MAN 10. Network Service	
	Processor	AST2500	
	SDRAM	DDR4-2400 1200MHz 8Gb memory down	
	Display	Through BMC to convert VGA signal VGA: resolution up to 1920 x 1200 x 32bpp (share with SOC 16MB memory)	
	POWER	Type	12V, 5VSB, VCC_RTC (ATX mode) 12V, VCC_RTC (AT mode)
		Connector	4-pin ATX 12V power 24-pin ATX power
RTC Battery		CR2032 Coin Cell	
ENVIRONMENT	Temperature	Operating: 0 to 60°C Storage: -40 to 85°C	
	Humidity	Operating: 5 to 90% RH Storage: 5 to 90% RH	
	MTBF	TBD	
	MECHANICAL	Dimensions	microATX Form Factor 244mm (9.6") x 244mm (9.6")
Compliance		PICMG COM Express® R3.0, Type 7 Basic, Compact Modules	

Packing List

• 1 COM333-I board	
• 1 Serial ATA data cable (Length: 500mm)	332-553001-005G
• Standoff (M2.5*12) (for compact size module)	A33-525019-A20G

Optional Items

• Serial ATA data cable (Length: 500mm)	332-553001-005G
• LPC EXT-RS232 module (4 x RS232 ports)	770-EXTRS1-000G
• LPC EXT-RS485 module (4 x RS485 ports)	770-EXTRS1-100G
• I/O shield	A49-COM333-000G

Assured Systems

Assured Systems is a leading technology company with over 1,500 regular clients in 80 countries, deploying over 85,000 systems to a diverse customer base in 12 years of business. We offer high-quality and innovative rugged computing, display, networking and data collection solutions to the embedded, industrial, and digital-out-of-home market sectors.

US

sales@assured-systems.com

Sales: +1 347 719 4508
Support: +1 347 719 4508

1309 Coffeen Ave
Ste 1200
Sheridan
WY 82801
USA

EMEA

sales@assured-systems.com

Sales: +44 (0)1785 879 050
Support: +44 (0)1785 879 050

Unit A5 Douglas Park
Stone Business Park
Stone
ST15 0YJ
United Kingdom

VAT Number: 120 9546 28
Business Registration Number: 07699660