

CEM100

COM Express Type 2 Basic Module with AMD G-Series APU and AMD A55E

Features

- AMD G-Series APU T56N 1.65 GHz/T40R 1.0 GHz
- AMD A55E
- 2 DDR3-1066 SO-DIMM, up to 8GB
- 8 lanes of PCIe Gen 2 at 5GT/s
- 4 SATA-600 with RAID 0/1/5/10
- DirectX11, OpenGL 4.0, and OpenCL 1.0 supported
- TPM 1.2 supported

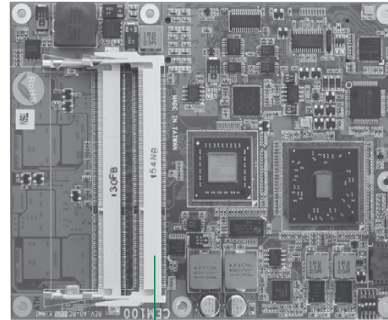


Core System

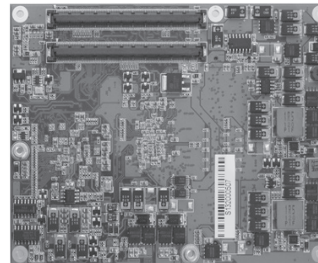
CPU	AMD G-Series APU T56N 1.65 GHz/T40R 1.0 GHz onboard
System Memory	2 x 204-pin SO-DIMM DDR3-1066, up to 8GB
Chipset	AMD A55E
BIOS	AMI uEFI (Legacy free)
SSD	N/A
Watchdog Timer	255 levels, 1 ~ 255 sec.
Expansion Interface	8 x PCIe x1 devices 4 x 32-bit PCI bus masters
Battery	N/A
Power Requirements	TBD
Size	125 x 95 mm
Board Thickness	2.0 mm
Temperature	0°C ~ +60°C (+32°F ~ +140°F), operation
Operation Humidity	10% ~ 95% relative humidity, non-condensing

I/O

MIO	1 x LPC interface 1 x SPI interface 1 x IDE, PATA-100
SATA	4 x SATA-600 with RAID 0/1/5/10
Hardware Monitoring	N/A
Ethernet	1 port as 10/100/1000 Mbps supports Wake-on-LAN, RPL/PXE Boot ROM with Broadcom BCM50610 PHY
Audio	HD link interface to baseboard for external Codec
USB	8 x USB 2.0
TPM	TPM 1.2
SMBus	Yes
Digital I/O	4 channels IN & 4 channels OUT



2 x DDR3-1066 SO-DIMM



▲ Rear view

Display

Chipset	AMD
Memory Size	Depending on integrated GPU
Display Interface	1 x VGA 1 x LVDS; 18/24-bit single/dual channel 2 x Digital output ports (DP, HDMI, DVI); DPO port is available if LVDS not used

Packing List

Quick installation guide, user's manual/utility CD

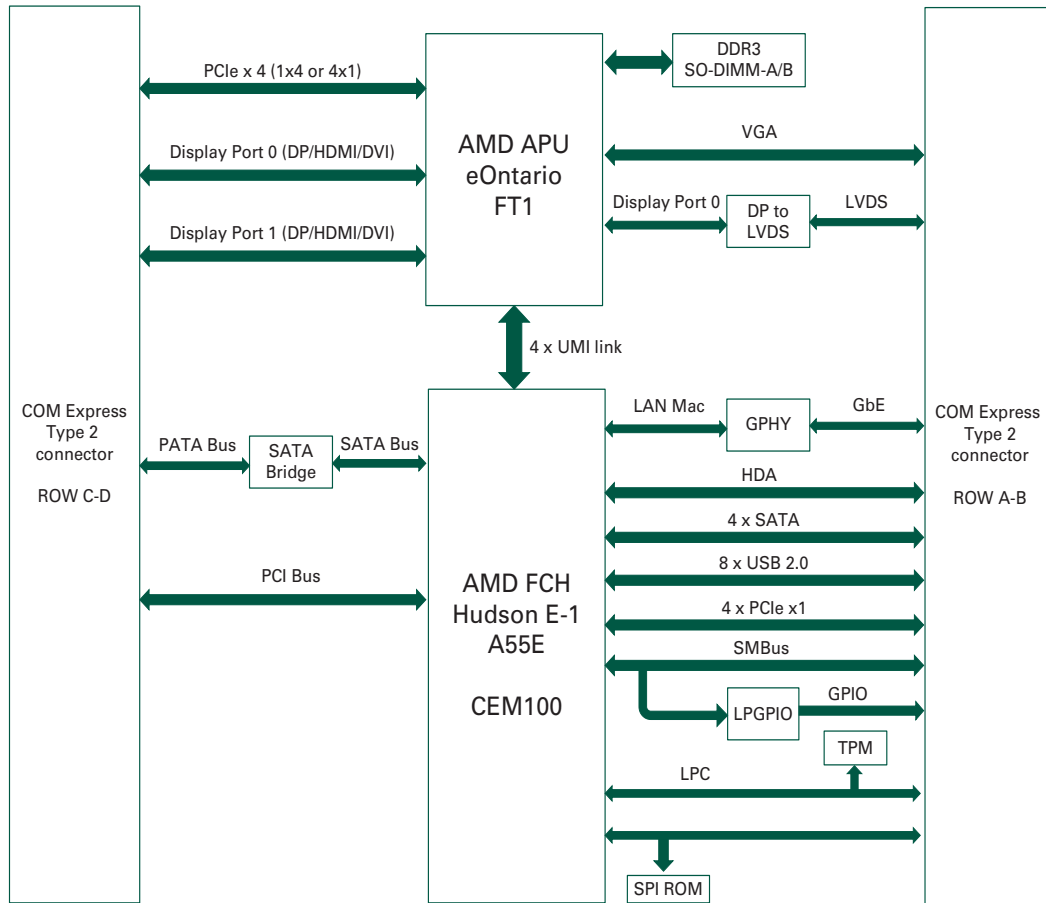
Ordering Information

Standard	
CEM100VG-T56N (P/N: E38D100100)	COM Express Type 2 module with T56N 1.6 GHz APU, VGA/LVDS, GbE LAN, USB and TPM
CEM100VG-T40R (Fanless) (P/N: E38D100101)	COM Express Type 2 module with T40R 1 GHz APU, VGA/LVDS, GbE LAN, USB and TPM

Optional	
CEB94000	ATX form factor Type 2 baseboard
5078D100000E	CEM100 heat spreader module
5078D100100E	COM Express SoM cooling kit with fan
5078D100200E	COM Express SoM cooling kit without fan

Note : 5078D100100E/5078D100200E has to be used with 5078D100000E

Block Diagram



Assured Systems

Assured Systems is a leading technology company with over 1,500 regular clients in 80 countries, deploying over 85,000 systems to a diverse customer base in 12 years of business. We offer high-quality and innovative rugged computing, display, networking and data collection solutions to the embedded, industrial, and digital-out-of-home market sectors.

US

sales@assured-systems.com

Sales: +1 347 719 4508
Support: +1 347 719 4508

1309 Coffeen Ave
Ste 1200
Sheridan
WY 82801
USA

EMEA

sales@assured-systems.com

Sales: +44 (0)1785 879 050
Support: +44 (0)1785 879 050

Unit A5 Douglas Park
Stone Business Park
Stone
ST15 0YJ
United Kingdom

VAT Number: 120 9546 28
Business Registration Number: 07699660