

# tBOX313-835-FL

Fanless Embedded System with Intel® Atom™ Processor E3845 Quad Core™ (1.91 GHz) for Vehicle PC



▲ Front view

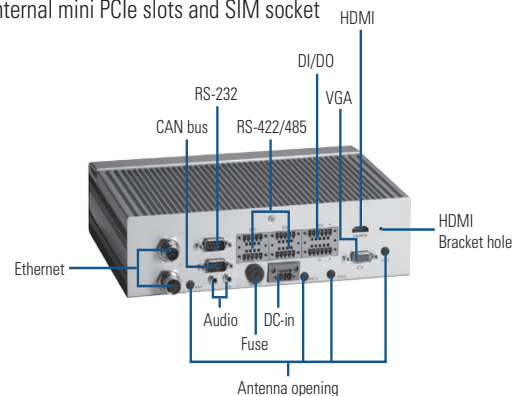


## Specifications

Standard Color	Silver-Black				
Construction	Aluminum extrusion and heavy-duty steel				
CPU	Intel® Atom™ processor E3845 (4C@1.91GHz)				
System Memory	DDR3L-1333, 4 GB memory onboard				
Chipset	SoC integrated				
BIOS	AMI				
System I/O Outlet	<table border="0"> <tr> <td>Rear Side</td> <td>                 2 x GbE LAN (M12 D-coded) (RJ-45, PoE is optional)                  4 x isolated RS-422/485                  1 x RS-232                  1 x isolated DI/DO (6-in/2-out)                  1 x isolated CAN Bus                  2 x audio (mic-in/line-out, screw type)                  1 x VGA                  1 x HDMI                  1 x HDMI bracket hole                  1 x VDC power input                  1 x fuse                  4 x antenna opening             </td> </tr> <tr> <td>Front Side</td> <td>                 2 x USB 2.0                  2 x audio (mic-in/line-out, screw type)                  1 x reset switch                  1 x remote power switch                  1 x 2.5" SATA drive tray                  1 x CFast™ slot + 2x SIM card sockets             </td> </tr> </table>	Rear Side	2 x GbE LAN (M12 D-coded) (RJ-45, PoE is optional) 4 x isolated RS-422/485 1 x RS-232 1 x isolated DI/DO (6-in/2-out) 1 x isolated CAN Bus 2 x audio (mic-in/line-out, screw type) 1 x VGA 1 x HDMI 1 x HDMI bracket hole 1 x VDC power input 1 x fuse 4 x antenna opening	Front Side	2 x USB 2.0 2 x audio (mic-in/line-out, screw type) 1 x reset switch 1 x remote power switch 1 x 2.5" SATA drive tray 1 x CFast™ slot + 2x SIM card sockets
Rear Side	2 x GbE LAN (M12 D-coded) (RJ-45, PoE is optional) 4 x isolated RS-422/485 1 x RS-232 1 x isolated DI/DO (6-in/2-out) 1 x isolated CAN Bus 2 x audio (mic-in/line-out, screw type) 1 x VGA 1 x HDMI 1 x HDMI bracket hole 1 x VDC power input 1 x fuse 4 x antenna opening				
Front Side	2 x USB 2.0 2 x audio (mic-in/line-out, screw type) 1 x reset switch 1 x remote power switch 1 x 2.5" SATA drive tray 1 x CFast™ slot + 2x SIM card sockets				
Instant Fuse Repair	Current Rating 15A, Voltage Rating: 125V				
Watchdog Timer	255 levels, 0 ~ 255 seconds/minutes				
Storage	1 x 2.5" SATA HDD (Suspension designed, HDD height support 7/9.5/12.5/15mm) 1 x CFast™ (front accessible)				
Expansion Interface	3 x PCI Express Mini Card with 2 x SIM card slot (Two front accessible) 1x PCIe mini card supports mSATA				
System Indicator	1 x green LED for HDD active 1 x yellow LED for LAN1 active 1 x yellow LED for LAN2 active 1 x red LED for power				

## Features

- eMark, ISO7637 certificated, EN45545-2 complied
- Intel® Atom™ Bay Trail-I E3845 4C@1.91GHz
- High performance DDR-1333 4 GB memory onboard
- Fanless operation with IP40
- Operating temperature range of -40°C ~ +70°C
- Isolated RS-422/485, CANbus 2.0A/B and DIO ports
- Support USB 2.0 and SATA2
- Suspension one 2.5" SATA HDD and 1 CFast™ socket
- Instant fuse repair design
- Internal mini PCIe slots and SIM socket



▲ Rear view

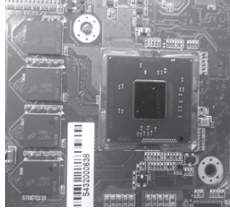
Power Supply	Power input : Typical 12/24vdc (9 ~ 36 Vdc)
Operating Temperature	-40°C ~ +70°C (-40°F ~ +158°F) with W/T SSD -25°C ~ +55°C (-13°F ~ +131°F) with W/T HDD
Storage Temperature	-40°C ~ +80°C (-40°F ~ +176°F)
Humidity	5% ~ 95%, non-condensing
Vibration Endurance	3 Grms with SSD & CFast™ (5-500Hz, X, Y, Z direction; Random) (IEC60068-2-34) 2 Grms with HDD (5-500Hz, X, Y, Z direction; Random) (IEC60068-2-34), MIL-STD-810G, Method 514.6, Category 4 & 11 & 20, ISO16750 (Vehicle body)
Shock	50G w/SSD/CFast™ (operating), MIL-STD-810G, Method 516.6, procedure 1, peak 20g 11ms
Dimensions	244 mm (9.6") (W) x 180.5 mm (7.1") (D) x 65.1 mm (2.56") (H)
Weight (net/gross)	TBD
Certificate	CE, eMark, ISO 7637, EN45545-2 compliance
EOS support	WES7/8, Compac2013, Linux

## Ordering Information

<b>Standard</b>	
tBOX313-835-FL-DC	Fanless embedded system with Intel® Atom™ processor E3845 (1.91 GHz) for vehicle PC, 4GB DDR3L-1333, 2 Gigabit LAN, 1 RS-232, 4 isolated RS-422/485, 1 CAN Bus
<b>Optional</b>	
2.5"SATA HDD/SSD	
CFast™	
3G module	
Wi-Fi module	
Wi-Fi & bluetooth	
GPS module	

\*Specifications and certifications are based on options and may vary.

## Expansion & Installation



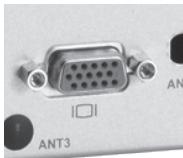
On board Intel® Atom™ Bay Trail-I E3845, 4C@ 1.91GHz processor and 4GB DDR3L-1333 DRAM



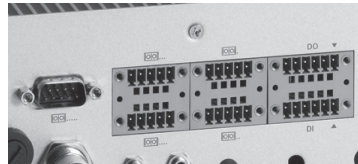
Removable CFast™, SIM slot and suspension 2.5" SATA HDD/SSD



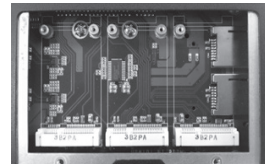
M12 railway power input and two Gigabit LAN connector



HDMI and VGA display



Isolated RS-422/485 and DIO ports



3 x Mini Card with 2 x SIM slot

## Packing List

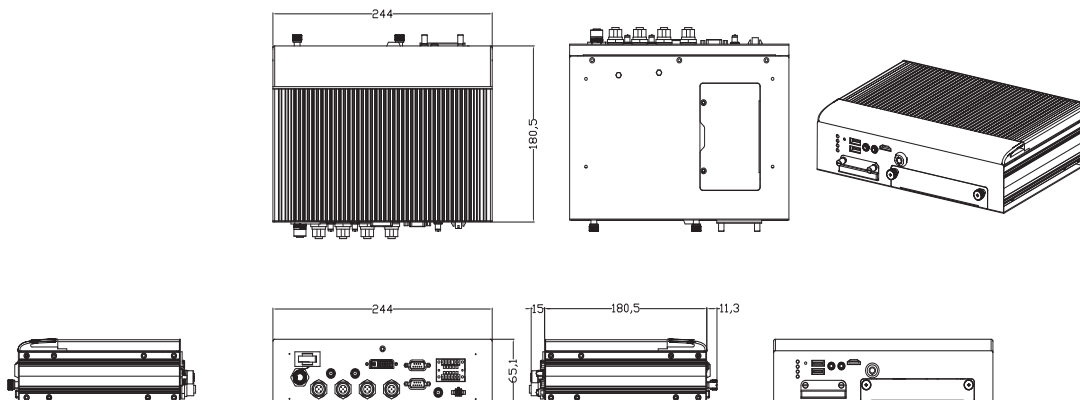
- 1 x quick manual
- 1 x driver CD
- 1 x screw pack
- 4 x foot pad
- 1 x wall-mount kit

## Power Protection

### DC Version

- SCP (short circuit protection)
- OVP (over voltage protection)
- UVP (under voltage protection)
- ISO7637 pulse 1/29/39/3b/4/5a
- Battery protection setting: Low voltage, Very low voltage
- Ignition control setting: Low voltage counter, ACC-ON delay, Shut down delay

## Dimensions



Overview

Embedded Systems

**2**

Embedded Systems for Transportation

Embedded Field Controllers

Industrial Firewall

Embedded MicroBoxes

Industrial Barebone Systems

Industrial Chassis

Backplanes

Power Supplies

Peripherals & Accessories

\* All specifications and photos are subject to change without notice.



## Assured Systems

Assured Systems is a leading technology company with over 1,500 regular clients in 80 countries, deploying over 85,000 systems to a diverse customer base in 12 years of business. We offer high-quality and innovative rugged computing, display, networking and data collection solutions to the embedded, industrial, and digital-out-of-home market sectors.

### US

[sales@assured-systems.com](mailto:sales@assured-systems.com)

Sales: +1 347 719 4508  
Support: +1 347 719 4508

1309 Coffeen Ave  
Ste 1200  
Sheridan  
WY 82801  
USA

### EMEA

[sales@assured-systems.com](mailto:sales@assured-systems.com)

Sales: +44 (0)1785 879 050  
Support: +44 (0)1785 879 050

Unit A5 Douglas Park  
Stone Business Park  
Stone  
ST15 0YJ  
United Kingdom

VAT Number: 120 9546 28  
Business Registration Number: 07699660